



IMPORTANT

Verify if your machine is hydraulically proportional or motor controlled.

Motor controller machines can be identified by the MC label located on the side of the machine or on the platform control box.



**For motor controller-specific parts and assemblies,
see [Section 10 - Appendix A](#).**



PARTS MANUAL

SJIII 3220 SJIII 3226 SJIII 4620 SJIII 4626 SJIII 4632

DC ELECTRIC SCISSORS

165974AL

July 2021
ANSI/CSA

This manual is based on Serial Number(s):

SJIII 3220 60 004 189 to 60 999 999
SJIII 3226 27 017 551 to 27 999 999
SJIII 46XX 70 017 596 to 70 199 999

Please refer to the website (www.skyjack.com) for other Serial Numbers, most recent Technical Manuals and USB software.

Skyjack Service Center

3451 Swenson Ave. St. Charles,
Illinois, 60174 USA
Phone: 630-262-0005
Toll Free: 1-800-275-9522
Fax: 630-262-0006
Email: service@skyjack.com

Parts (North America)

Toll Free: 1-800-965-4626
Toll Free Fax: 1-888-782-4825
E-mail: parts@skyjack.com

Skyjack Australia Pty Ltd.

Unit 1, 35 Honeycomb Drive
Eastern Creek
New South Wales 2766
Australia
Tel: +61 (0) 2 9854 0700
Fax: +61 (0) 2 9854 0777

Parts & Service (Europe)

Unit 1 Maes Y Clawdd
Maesbury Road Industrial Estate
Oswestry, Shropshire SY10 8NN UK
Phone: +44-1691-676-235
Fax: +44-1691-676-238
E-mail: info@skyjackeurope.co.uk

Skyjack Brasil

Alameda Júpiter, 710
Loteamento American Park Empresarial
Indaiatuba, SP, Brasil 13347-653
Tel: +55 19 3936 0132

Table of Contents

Foreword	8
General	8
Parts Ordering Information	8
Method of Listing	8
Quantities	8
How To Order Repair Parts	8
Section 1 – Platform Related Parts	10
1.1 Entrance Gates and Chains	11
1.2 Gate Latch Assembly	14
1.3 Side Railings - Rigid	15
1.4 Side Railings - Hinged	17
1.5 Extension Platform Railing Assembly	19
1.6 Extension Handrail	21
1.7 Quick Release Pins	22
1.8 Main Platform Assembly	23
1.9 Extension Platform Assembly	25
1.10 Extension Cylinder Mounting Hardware	27
1.11 Extension Cylinder Assembly	28
1.12 Hose Connections - Powered Extension (Models 3220/4620)	29
1.13 Hose Connections - Powered Extension (Model 4626)	31
1.14 Platform Control Console Assembly	33
1.15 Enable Controller Assembly	35
1.16 Powered Extension Platform Cables	37
1.17 Extension Platform Harness	38
1.18 Extension Platform Control Console	39
1.19 Control Cable Assemblies	41
1.20 Platform AC Outlet	43
Section 2 – Scissor Related Parts	46
2.1 Scissor Stack Assembly (Model 3220/4620)	47
2.2 Scissor Stack Assembly (Model 3226/4626)	51
2.3 Scissor Stack Assembly (Model 4632)	53
2.4 Scissor Stack Assembly - Mounting Hardware	55
2.5 Scissor Stack Assembly - Connecting Hardware	57
2.6 Limit Switch Assembly (Scissor Stack)	59
2.7 Lift Cylinder and Mounting Hardware	61
2.8 Holding Valve Assembly (Model 3220/4620)	63
2.9 Holding Valve Assembly (Model 3226/4626/4632)	65

Section 3 – Base Related Parts	68
3.1 Base Assembly	69
3.2 Pothole Protection Device	73
3.3 Brake Assembly	77
3.4 Wheel Assembly	79
3.5 Tie Rod Assembly	82
3.6 Steer Cylinder Assembly	83
3.7 Pin Brake Cylinder Assembly	85
3.8 Rear Drive Manifold Assembly	87
3.9 Brake Release Manifold Assembly (Models 46xx)	90
3.10 Front Hub and Spindle Assembly	91
3.11 Hydraulic Hose Connections - Pin Brake	93
3.12 Hydraulic Hose - Disc Brake (Models 46xx)	95
3.13 Base Control Console	97
3.14 Base Control Console - B	99
Section 4 – Hydraulic Tray Related Parts	102
4.1 Hydraulic/Electrical Tray Assembly	103
4.2 Main Manifold Assembly	107
4.3 Pump and Motor Assembly	109
4.4 Proportional Manifold Assembly	112
4.5 Hydraulic Hose Connections (Hydraulic/Electrical Tray)	113
Section 5 – Battery Tray Related Parts	116
5.1 Battery Tray Assembly	117
5.2 Battery Charger - Delta-Q	121
5.3 Battery Charger - Signet	123
Section 6 – Electrical Related Parts	126
6.1 Electrical Panel Hardware Assembly	127
6.2 Electrical Panel Hardware Assembly (EE-Rated)	129
6.3 Main Manifold Harness	133
6.4 Rear Manifold Harness	134
6.5 Horn/Flashing Light and Tilt Switch Harnesses	135
6.6 Holding Valve, Charger Cutout, and Pressure Switch	136
6.7 Electrical Panel Powerdeck Modification	138
6.8 Elevate Telematics Harness	139
Section 7 – Optional Equipment	142
7.1 24VDC Inverter Assembly (ANSI/CSA)	143
7.2 Inverter Assembly	145
7.3 Air Hose to Platform Assembly	147
7.4 Work Light Option (ANSI/CSA)	149
7.5 Flashing Amber Light Option	150

7.6	Dual Flashing Amber Light Option (Excluding EE-Rated)	151
7.7	Light Duty Pipe Rack Option	153
7.8	Black Logo Labels Option (Model 4626)	154
7.9	Board Carrier (Models 3226/4632 including EE-rated)	155
7.10	Tool Caddy	157
7.11	Heavy Duty Pipe Rack Assembly	160
7.12	Elevate Telematics	161
7.13	Secondary Guarding Lift Enable Kit	163
Section 8 – Labels		164
8.1	Label Kit	165
8.2	Labels - Platform Control Console	166
8.3	Labels - Miscellaneous	167
8.4	Labels - Left & Right Sides (Chassis)	169
8.5	Labels - Chassis (Front & Top)	171
8.6	Labels - Rear (Scissor and Platform)	172
8.7	Labels - Rear (Chassis)	173
Section 9 – Fluids		174
9.1	Fluid Table	175
Section 10 – Appendix A - Motor Controller		178
10.1	Platform Control Console Assembly	179
10.2	Platform Control Box (Top)	181
10.3	Enable Controller Assembly	183
10.4	Hydraulic/Electrical Tray Assembly - Welded Tank	185
10.5	Hydraulic/Electrical Tray - Welded Tank	187
10.6	Hydraulic/Electrical Tray Assembly - Plastic Tank	189
10.7	Hydraulic Tank Lid Assembly - Welded Tank	191
10.8	Hydraulic Tank Lid Assembly - Plastic Tank	193
10.9	Motor/Pump Assembly - Plastic Tank	195
10.10	Main Manifold Assembly - Welded Tank	197
10.11	Main Manifold Assembly - Plastic Tank	199
10.12	Hydraulic Hose Connections - Welded Tank	201
10.13	Hydraulic Hose Connections - Plastic Tank	203
10.14	Electrical Panel, Hardware and Wire Kit	205
10.15	RST Wire Assemblies	208
10.16	Main Manifold Harness	209
10.17	Rear Manifold Harness	211
10.18	Charger, Horn/Flashing Lights, Tilt Switch Harnesses	212
10.19	Control Cable Assemblies	213
10.20	Powerdeck Conversion Kit - Motor Controller	214

Foreword

General

The information contained in this manual is designed to aid the user in locating and identifying replacement parts. Component parts of various assemblies and subassemblies comprising the work platform are illustrated and accompanied by a descriptive parts list. Exploded drawings are used to show relative location of component parts in disassembly order. If a part cannot be found in this manual, contact your local Skyjack Parts Department for assistance.

Parts Ordering Information

When ordering replacement parts, the complete part number and description should be used to ensure proper identification and delivery of the desired item. This complete identification should also be used when requesting equipment information.

Method of Listing

Parts are listed in order according to the reference number shown in the illustration, followed by a full description based upon the "NOUN FIRST" method. That is, the noun name of the part is listed first, then the modifying description information which serves to specifically identify the item. For example: PIN, Clevis.

Assemblies at the beginning of a parts list may be identified with a reference letter: A, B, C, etc. These letters are used to identify different configurations of the assembly. Individual parts in these lists have corresponding letters after their description to identify which assembly it is used in. If a part does not have a reference letter, it is used in all of the assemblies.

Customer: _____

Dealer: _____

Model Number: _____

Serial Number: _____

Date Purchased: _____

Bullets (•) are used to show the assembly structure, or parent/child relationship. A part listed at the beginning of the parts list without a bullet before the description is the main assembly, and all of the parts below it with one bullet are the subcomponent parts of that assembly. Two bullets denote a subcomponent of a subcomponent, etc.

Example:

Main Assembly A

- Part 1 (subcomponent of Main Assembly A)
- Part 2 (subcomponent of Main Assembly A)
- • Part 3 (subcomponent of Part 2)

Quantities

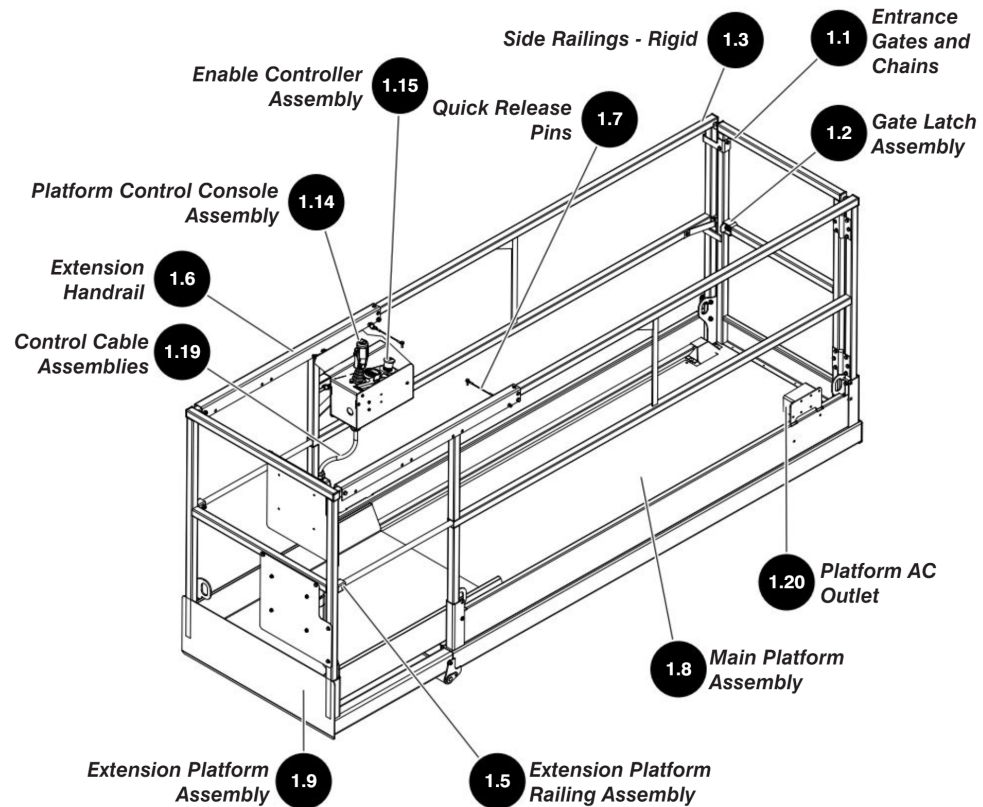
The quantities required to complete the assembly are given for each part. If the quantity is (AR), it is understood that the quantity may vary when the machine is equipped with certain options. Order quantity as needed.

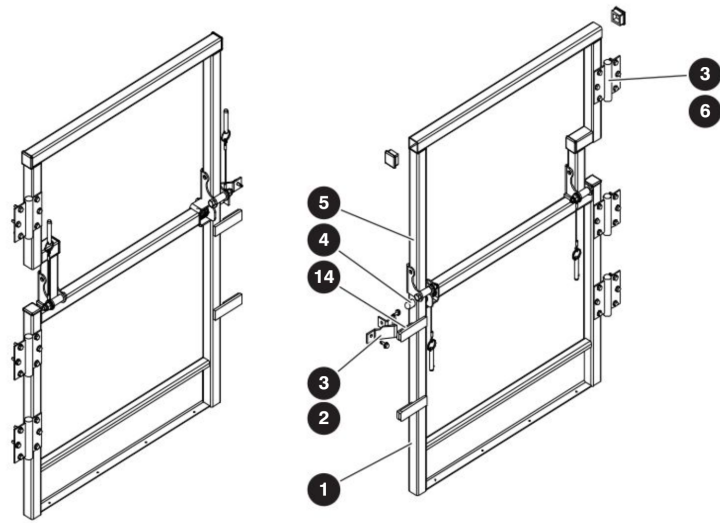
How To Order Repair Parts

1. Address all orders to your local SKYJACK dealer.
2. Specify model and serial number of the work platform (found on the serial number plate).
3. List the quantity needed.
4. List the length needed (if it is a bulk item).
5. List the part number and description as shown in this manual for each item.
6. Show the billing and shipping address and the name of the individual, if possible.
7. Suggest the best routing.

USE ONLY SKYJACK AUTHORIZED REPLACEMENT PARTS!

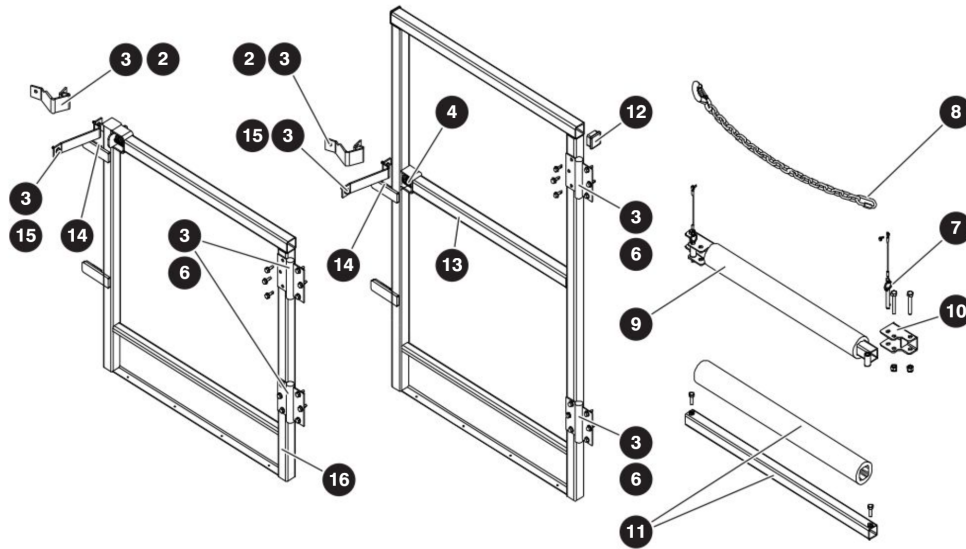
Section 1 – Platform Related Parts





Left-Hand Gate

Right-Hand Gate



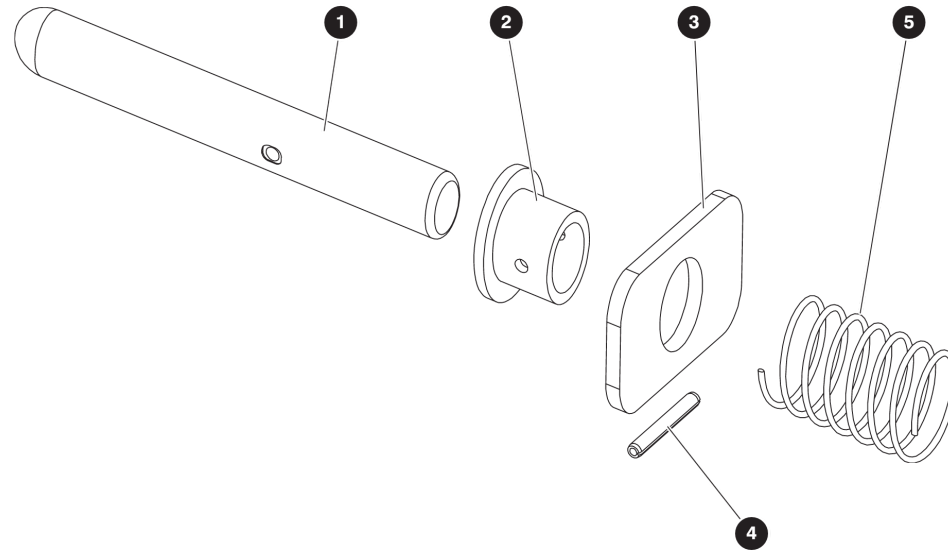
M170545AA_1

SJIII 3220 SJIII 3226 SJIII 4620 SJIII 4626 SJIII 4632

165974AL

Index No.	Skyjack Part No.	Qty.	Description
1	128471	1	GATE, Full (Hinged - bottom - Right Hand)
	170544	1	GATE, Full (Hinged - bottom - Left Hand) (Models 4632)
2	110693	1	PLATE, Stop gate latch (Models 46xx)
3	112329	AR	SCREW, Self tapping (1/4"-14 x 3/4")
4	(Ref.)	-	GATE LATCH ASSEMBLY (For components, refer to Section 1.2 Gate Latch Assembly)
	128473	1	GATE, Full (Hinged - top - Right Hand)
5	170543	1	GATE, Full (Hinged - top - Left Hand) (Models 4632)
	209527	2	HINGE, Spring
7	(Ref.)	2	QUICK RELEASE LARGE/SMALL LOOP PIN ASSEMBLY (For components, refer to Section 1.7 Quick Release Pins)
	106893	-	CHAIN, Entry Assembly (If equipped)
8	106896	1	• CHAIN
	100297	1	• LINK, Quick screw
	127103	1	• LINK, Lap
	100493	1	• LATCH, Chain snap
	166761	1	MESH COVER, Entrance chain (if equipped)
	130273	1	UPPER HINGED RAIL ASSEMBLY
	10	130270	2
125354		1	• TUBE, Hinged top rail
11	125691	1	• PADDING, Entry rail
	103872	AR	• BOLT, Hex head (3/8"-16 x 2.25", Gr. 5)
	104606	AR	• NUT, Hex nylon lock (3/8-16)
	112327	2	• SCREW, Self tapping (#8-18 x 1/2")
	125703	1	FIXED UPPER RAIL ASSEMBLY
	103540	1	• TUBE, Top rail
	125691	1	• PADDING, Entry rail
12	103864	2	• BOLT, Hex head (5/16"-18 x 1", Gr. 5)
	103404	2	• WASHER, Lock (5/16")
	100702	AR	PLUG, Tube
13	125510	1	GATE, Full (Solid)
14	125577	2	PAD, Adhesive rubber foam
15	125526	1	STRIKE, Gate stop (Models 322x)
16	125461	1	GATE, Half

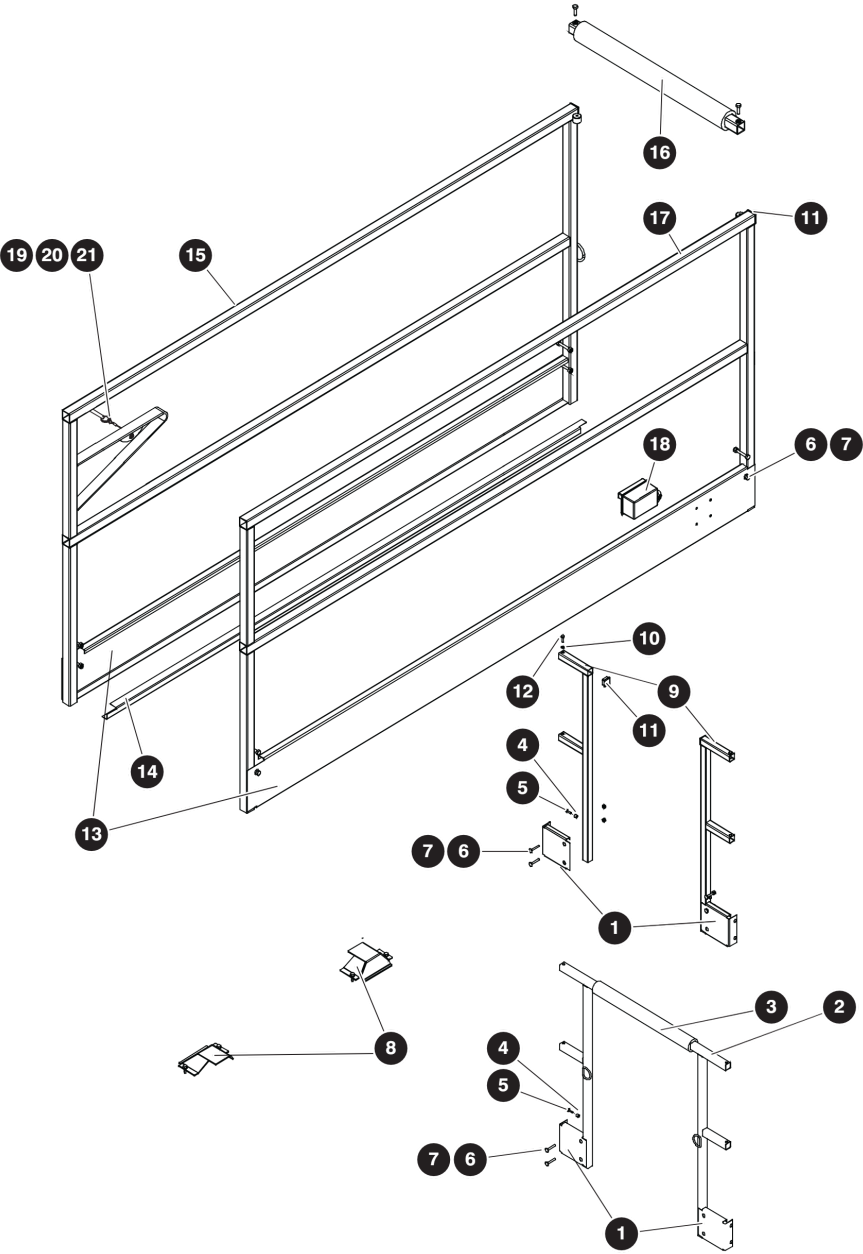
1.2 Gate Latch Assembly



M10160AA

Index No.	Skyjack Part No.	Qty.	Description
-	110824	-	GATE LATCH ASSEMBLY
1	109377	1	• PIN, Latch
2	105312	1	• GUIDE, Nylon spring
3	105307	1	• PLATE, Gate latch release
4	100950	1	• PIN, Roll (1/8" x 1")
5	103107	1	• SPRING, Compression

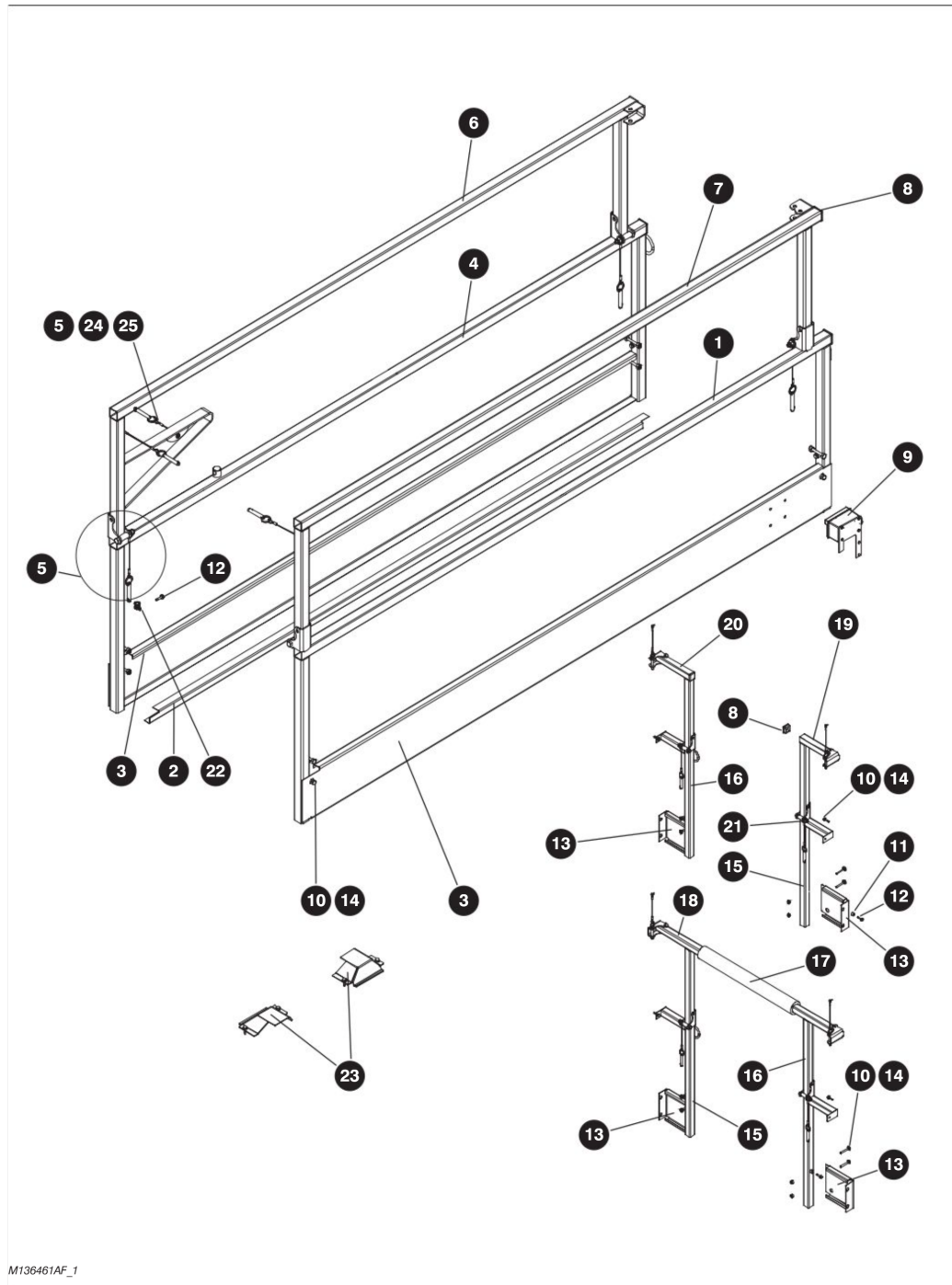
1.3 Side Railings - Rigid



1.3 Side Railings - Rigid

Index No.	Skyjack Part No.	Qty.	Description
1	128719	2	KICK PLATE, End entrance (<i>Models 46xx</i>)
2	128722	1	WELDMENT, End entrance railing (<i>Models 46xx</i>)
3	104183	1	PAD, Entry Railing (<i>Models 46xx</i>)
4	112329	4	BOLT, Self tapping (1/4"-14 x 1")
5	125580	4	SPACER, Railing retainer
6	103984	8	NUT, Hex lock (5/16"-18, Gr. 5)
7	127437	8	BOLT, Carriage (5/16"-18 x 2")
8	(Ref.)	-	GUARD, Cable (For components, refer to Section 1.8 Main Platform Assembly)
9	130111	2	WELDMENT, End entrance railing (Full gate) (<i>Models 46xx</i>)
10	103404	2	WASHER, Lock (5/16")
11	100702	2	PLUG, Plastic tube
12	103864	2	BOLT, Hex head (5/16"-18 x 1", Gr. 5)
13	157778	2	PLATE, Kick (Universal)
14	125448	1	GUARD, Cable
15	162402	1	RAILING, Rigid (Right hand)
16	(Ref.)	-	ENTRANCE GATE AND CHAINS (For components, refer to Section 1.1 Entrance Gates and Chains)
17	162403	1	RAILING, Rigid (Left hand)
18	(Ref.)	-	OUTLET, Platform AC (For components, refer to Section 1.20 Platform AC Outlet)
19	(Ref.)	-	QUICK RELEASE LARGE OR SMALL LOOP PIN ASSEMBLY (For components, refer to Section 1.7 Quick Release Pins)
20	139641	1	RIVET, Pop (1/4" diameter x 0.615") (If equipped)
21	103995	1	WASHER, Flat (1/4") (If equipped)

1.4 Side Railings - Hinged



M136461AF_1

SJIII 3220 SJIII 3226 SJIII 4620 SJIII 4626 SJIII 4632

165974AL

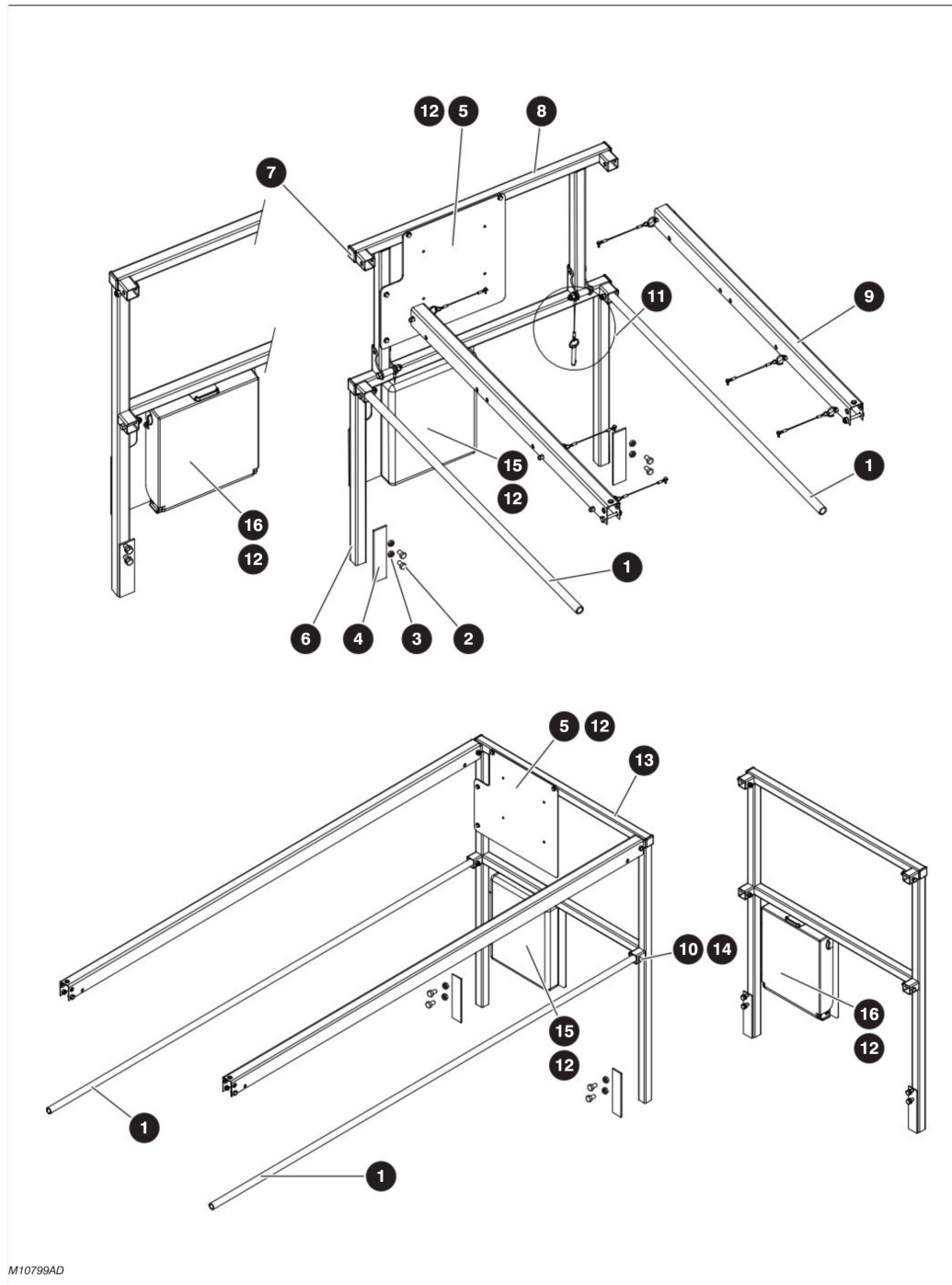
SKYJACK

1.4 Side Railings - Hinged

Index No.	Skyjack Part No.	Qty.	Description
1	162366	1	RAILING, Side lower (Left hand)
2	125448	1	GUARD, Cable
3	157778	2	PLATE, Kick (Universal)
4	162404	1	RAILING, Side lower (Right hand)
5	(Ref.)	-	QUICK RELEASE LARGE/SMALL LOOP PIN ASSEMBLY <i>(For components, refer to Section 1.7 Quick Release Pins)</i>
6	162406	1	RAILING, Side upper (Right hand)
7	162405	1	RAILING, Side upper (Left hand)
8	100702	2	PLUG, Plastic tube (1.25" x 1.25")
9	(Ref.)	-	OUTLET, Platform AC <i>(For components, refer to Section 1.20 Platform AC Outlet)</i>
10	127437	8	BOLT, Carriage (5/16"-18 x 2")
11	125580	4	SPACER, Railing retainer
12	112329	5	BOLT, Self tapping (1/4"-14 x 1")
13	128719	2	KICK PLATE, End entrance (Models 46xx)
14	103984	8	NUT, Hex lock (5/16"-18, Gr. 5)
15	128710	1	RAILING, End entrance lower (Left hand) <i>(Model SJIII 46xx)</i>
16	128709	1	RAILING, End Entrance lower (Right hand) <i>(Model SJIII 46xx)</i>
17	104183	28"	PAD, Entry Railing
18	128364	1	RAILING, End entrance top <i>(Model SJIII 46xx)</i>
19	128480	1	RAILING, End entrance upper (Left hand) <i>(Model SJIII 46xx)</i>
20	128481	1	RAILING, End entrance upper (Right hand) <i>(Model SJIII 46xx)</i>
21	104606	4	NUT, Hex lock (3/8"-16, Grade B)
22	103024	1	CLIP, Single (G8)
23	(Ref.)	-	GUARD, Cable <i>(For components, refer to Section 1.8 Main Platform Assembly)</i>
24	139641	1	RIVET, Pop (1/4" diameter x 0.615") (If equipped)
25	103995	1	WASHER, Flat (1/4") (If equipped)

1.5 Extension Platform Railing Assembly

AG



M10799AD

SJIII 3220 SJIII 3226 SJIII 4620 SJIII 4626 SJIII 4632

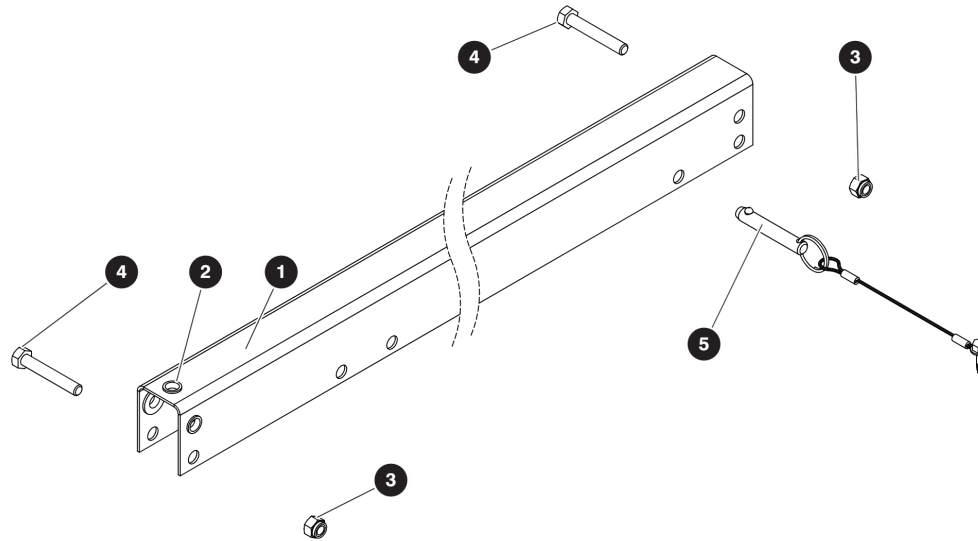
165974AL

SKYACK

1.5 Extension Platform Railing Assembly

Index No.	Skyjack Part No.	Qty.	Description
A	125635	1	MANUAL EXTENSION PLATFORM (Rigid) (Model SJIII 3220 & 3226)
B	128470	1	MANUAL EXTENSION PLATFORM (Hinged) (Model SJIII 3220 & 3226)
C	162626	1	POWERED EXTENSION PLATFORM (Rigid) (Model SJIII 3220)
D	162627	1	POWERED EXTENSION PLATFORM (Hinged) (Model SJIII 3220)
E	162628	1	MANUAL EXTENSION PLATFORM (Rigid) (Model SJIII 4620)
F	162629	1	MANUAL EXTENSION PLATFORM (Hinged) (Model SJIII 4626 & 4632)
G	162630	1	POWERED EXTENSION PLATFORM (Rigid) (Model SJIII 4620)
H	162631	1	POWERED EXTENSION PLATFORM (Hinged) (Model SJIII 4626)
1	103796	2	• MIDRAIL, Extension platform, A, B
	106394	2	• MIDRAIL, Extension platform (6'), C, D, G, H
	130347	2	• MIDRAIL, Extension platform, E, F
2	138464	4	• BOLT, Hex Head (3/8"-16 x 5/8" Gr. 5)
3	108575	4	• NUT, Hex Head Jam (3/8"-16, Gr. 5)
4	106950	2	• PLATE, Extension platform railing retaining
5	160075	1	• PLATE, Info/Warning/Manual box
6	128468	1	• RAILING, Extension platform lower, B, D
	128359	1	• RAILING, Extension platform lower, F, H
7	100702	AR	• PLUG, Plastic tube (1.25" x 1.25")
8	128469	1	• RAILING, Extension platform - Hinged, B, D
	128360	1	• RAILING, Extension platform - Hinged, F, H
9	(Ref.)	-	• EXTENSION HANDRAIL (For components, refer to Section 1.6 Extension Handrail)
10	103885	2	• BOLT, Hex head (5/16"-18 x 1.75")
11	(Ref.)	AR	• QUICK RELEASE LARGE/SMALL LOOP PIN ASSEMBLY (For components, refer to Section 1.7 Quick Release Pins)
12	103632	AR	• BOLT, Self tapping (1/4"-14 x 3/4")
13	125502	1	• RAILING, Extension platform - Rigid, A, C
	128452	1	• RAILING, Extension platform - Rigid, E, G
14	103984	2	• NUT, Hex nylon lock (5/16"-18)
15	-	1	• MANUAL BOX ASSEMBLY
	160075	1	• PLATE, Info/Warning/Manual box
	117293	1	• • BOX, Manual
	112601	4	• • NUT, K-Lock (#10-32)
	104694	4	• • WASHER, Flat (#10)
	103962	4	• • SCREW, Round head machine (#10-32 x 1/2")
16	-	1	• MANUAL BOX ASSEMBLY
	160075	1	• PLATE, Info/Warning/Manual box
	172358	1	• • MANUAL BOX, With Label
	(Ref.)	1	• • • LABEL (For components, refer to Section 8.6)
	198789	1	• • • MANUAL BOX
	130017	4	• • NUT, K-Lock (#10-32)
	104694	4	• • WASHER, Flat (#10)
	103962	4	• • SCREW, Round head machine (#10-32 x 1/2")
17	173200	1	• MANUAL, Manual of responsibilities (not shown) - ANSI/CSA

1.6 Extension Handrail



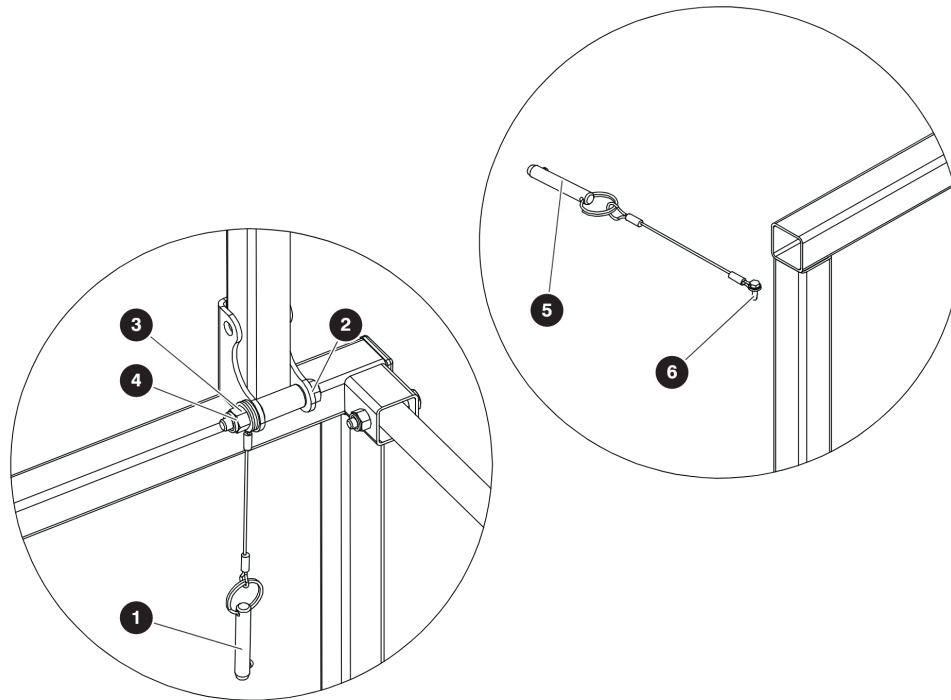
M162535AA

Index No.	Skyjack Part No.	Qty.	Description
A	125481	2	Manual extension platform handrail (hinged, 3') (Model SJIII 3220 & 3226)
B	125666	2	Manual extension platform handrail (rigid, 3') (Model SJIII 3220 & 3226)
C	162536	2	Manual extension platform handrail (hinged, 4') (Model SJIII 4626 & 4632)
D	162537	2	Manual extension platform handrail (rigid, 4') (Model SJIII 4620)
E	162534	2	Powered extension platform handrail (rigid, 6') (Model SJIII 3220, 3226 & 4620)
F	162535	2	Powered extension platform handrail (hinged, 6') (Model SJIII 3220 & 4626)
1	125480	1	• HANDRAIL, Extension, A, B
	130349	1	• HANDRAIL, Extension, C, D
	125561	1	• HANDRAIL, Extension, E, F
2	103550	3	• PLUG, Handrail slide, C, D, E, F
3	103984	AR	• NUT, Hex lock (5/16"-18, Grade B)
4	103865	AR	• BOLT, Hex head (5/16"-18 x 2", Gr. 5)
5	(Ref.)	AR	• QUICK RELEASE LARGE/SMALL LOOP PIN ASSEMBLY (For components, refer to Section 1.7 Quick Release Pins)

SJIII 3220 SJIII 3226 SJIII 4620 SJIII 4626 SJIII 4632

165974AL

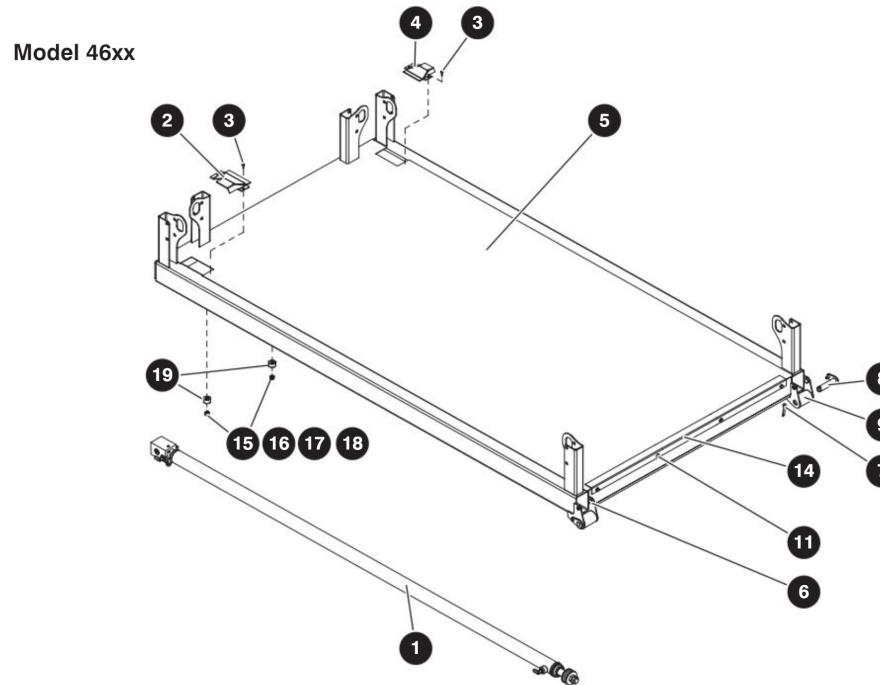
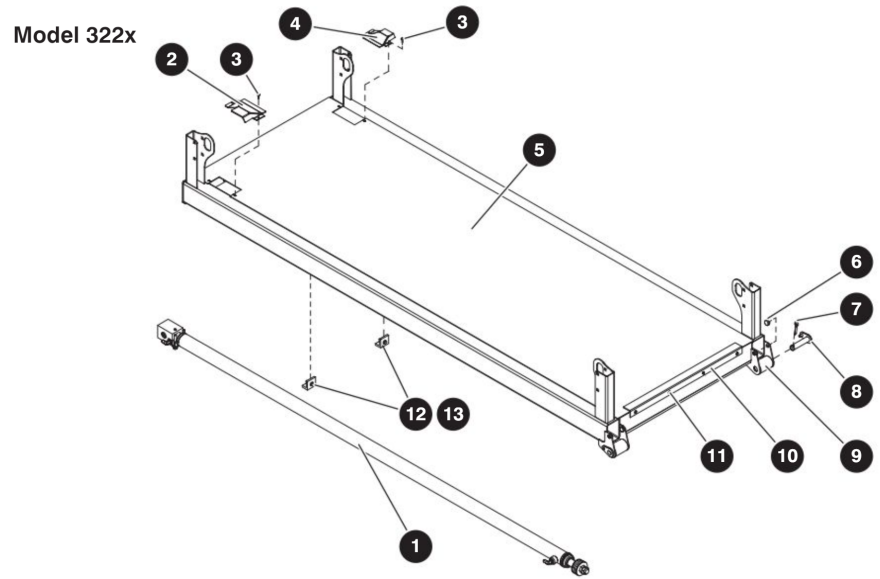
1.7 Quick Release Pins



M10168AA_2

Index No.	Skyjack Part No.	Qty.	Description
1	124548	-	QUICK RELEASE LARGE LOOP PIN ASSEMBLY
	100509	1	• PIN, Quick release (3/8" diameter x 2")
	105807	1	• LANYARD, Plastic coated (6")
2	103873	1	BOLT, Hex head (3/8"-16 x 2.5", Gr. 5)
3	103472	2	WASHER, Flat (3/8")
4	104606	1	NUT, Hex lock (3/8"-16, Grade B)
5	124547	-	QUICK RELEASE SMALL LOOP PIN ASSEMBLY
	100509	1	• PIN, Quick release (3/8" diameter x 2")
	105807	1	• LANYARD, Plastic coated (6")
6	112327	1	BOLT, Self tapping (#8-18 x 1/2")

1.8 Main Platform Assembly



M11100AB_M11177AB4

SJIII 3220 SJIII 3226 SJIII 4620 SJIII 4626 SJIII 4632

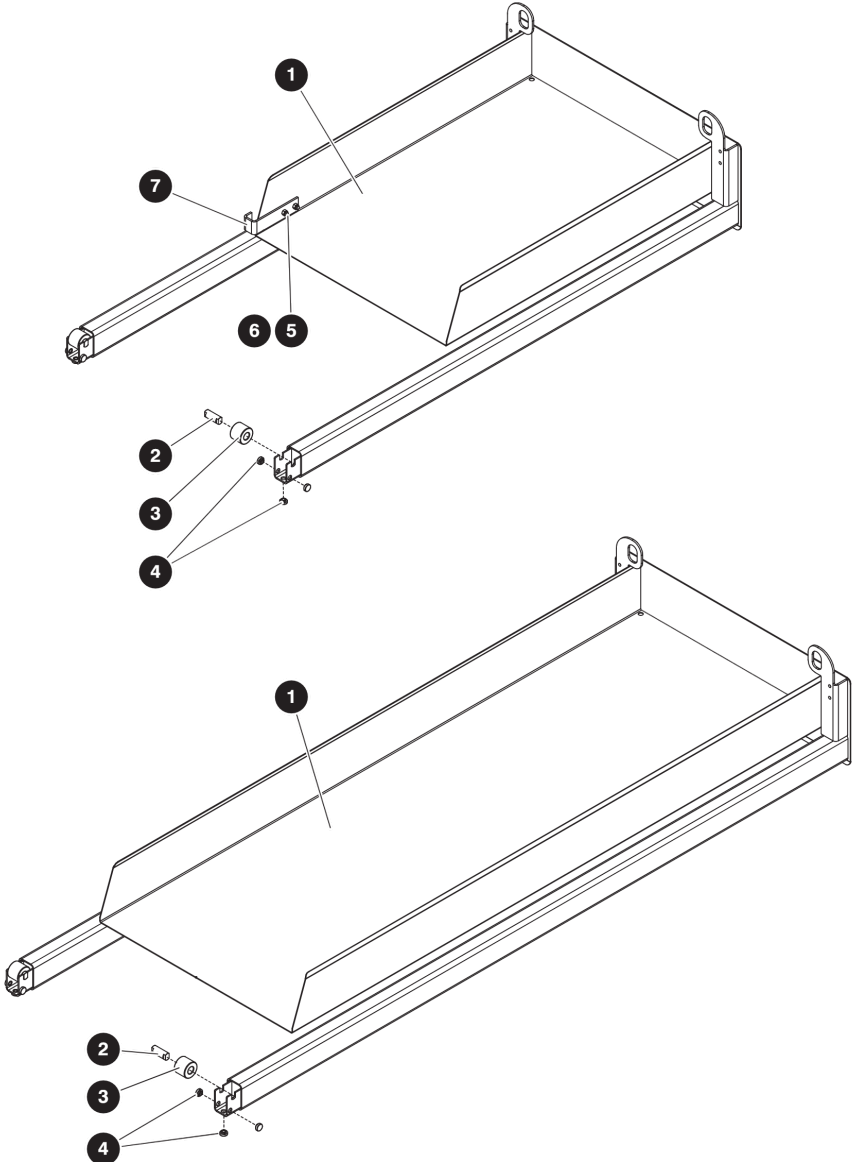
165974AL

SKYACK

1.8 Main Platform Assembly

Index No.	Skyjack Part No.	Qty.	Description
A	151020	1	WELDMENT, Platform (Manual extension platform) (Model SJIII 3220)
B	153284	1	WELDMENT, Platform (Powered extension platform) (Model SJIII 3220)
C	151021	1	WELDMENT, Platform (Manual extension platform) (Model SJIII 3226)
D	151027	1	WELDMENT, Platform (Manual extension platform) (Models 46xx)
E	155867	1	WELDMENT, Platform (Powered extension platform) (Model SJIII 4620/4626)
1	(Ref.)	AR	<ul style="list-style-type: none"> EXTENSION CYLINDER ASSEMBLY <p>(For components, refer to Section 1.11 Extension Cylinder Assembly)</p>
2	125495	1	<ul style="list-style-type: none"> COVER, Cable guard (Left hand)
3	132042	4	<ul style="list-style-type: none"> RIVET, Pop (1/4" diameter x 5/8")
4	125494	1	<ul style="list-style-type: none"> COVER, Cable guard (Right hand)
5	151016	1	<ul style="list-style-type: none"> WELDMENT, Platform, A
	153281	1	<ul style="list-style-type: none"> WELDMENT, Platform, B
	151017	1	<ul style="list-style-type: none"> WELDMENT, Platform, C
	151024	1	<ul style="list-style-type: none"> WELDMENT, Platform, D
	155842	1	<ul style="list-style-type: none"> WELDMENT, Platform, E
6	125433	4	<ul style="list-style-type: none"> BUSHING, Slider
7	121874	2	<ul style="list-style-type: none"> PIN, Cotter (1/4" x 1.5")
8	125422	2	<ul style="list-style-type: none"> PIN, Rollout
9	125455	2	<ul style="list-style-type: none"> ROLLER, Wide
10	108773	1	<ul style="list-style-type: none"> ANGLE, Slider (1.125" x 1.375" x 1/8" x 22"), A, B, C
11	112327	4	<ul style="list-style-type: none"> BOLT, Self tapping (#8-18 x 1/2")
12	112329	2	<ul style="list-style-type: none"> BOLT, Self tapping (1/4"-14 x 1/2"), A, B
13	125466	2	<ul style="list-style-type: none"> BUMPER, Platform, A, B, C
14	134559	1	<ul style="list-style-type: none"> ANGLE, Slider, D, E
15	104606	2	NUT, Hex nylon lock (3/8"-16, Gr. 5)
16	300437	2	BOLT, Hex head (3/8"- x 0.875, Gr. 5)
17	103999	2	WASHER, Lock (3/8")
18	103472	2	WASHER, Flat (3/8")
19	130689	2	BUMPER, Platform (Manual extension platform) (Model SJIII 4620/4632)
	134048	2	BUMPER, Platform (Powered extension platform) (Model SJIII 4620)

1.9 Extension Platform Assembly



M11178AD

SJIII 3220 SJIII 3226 SJIII 4620 SJIII 4626 SJIII 4632

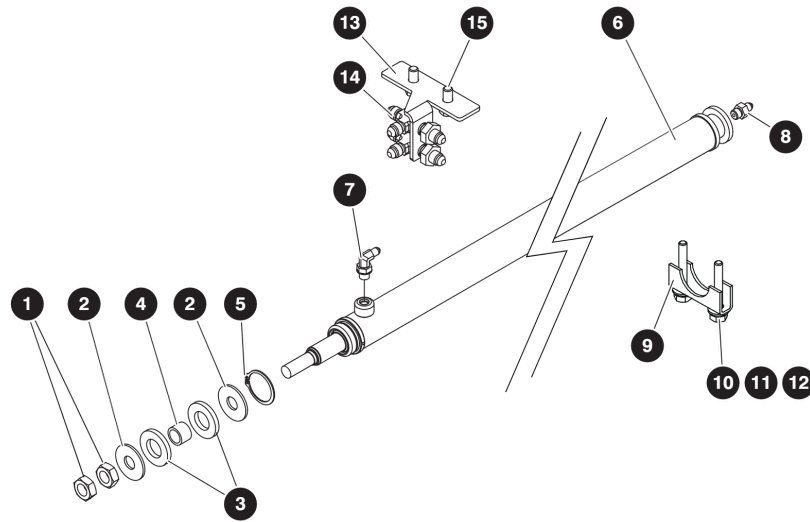
SKYJACK

165974AL

1.9 Extension Platform Assembly

Index No.	Skyjack Part No.	Qty.	Description
A	160518	1	MANUAL EXTENSION PLATFORM ASSEMBLY (3') (<i>Models 322x</i>)
B	160542	1	POWERED EXTENSION PLATFORM ASSEMBLY (6') (<i>Model SJIII 3220</i>)
C	160520	1	MANUAL EXTENSION PLATFORM ASSEMBLY (4') (<i>Models 46xx</i>)
D	160544	1	POWERED EXTENSION PLATFORM ASSEMBLY (6') (<i>Model SJIII 46xx ANSI/CSA</i>)
1	160517	1	<ul style="list-style-type: none"> • WELDMENT, Manual extension platform, A • WELDMENT, Powered extension platform, B • WELDMENT, Manual extension platform, C • WELDMENT, Powered extension platform, D
	160541	1	
	160519	1	
	160543	1	
2	160513	2	<ul style="list-style-type: none"> • PIN, Roll out
3	125431	2	<ul style="list-style-type: none"> • ROLLER, Narrow
4	125433	6	<ul style="list-style-type: none"> • BUSHING, Slider
5	300064	2	<ul style="list-style-type: none"> • BOLT, Button head (5/16"-18 x 3/4"), A, C
6	103984	2	<ul style="list-style-type: none"> • NUT, Hex lock (5/16"-18, Gr. 5), A, C
7	121042	1	<ul style="list-style-type: none"> • STOP, Extension platform, A, C

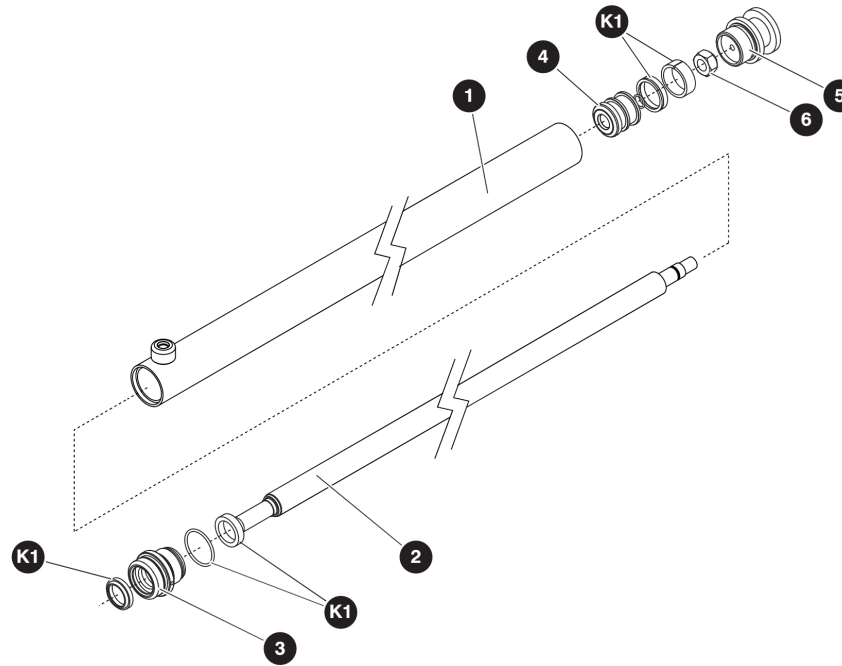
1.10 Extension Cylinder Mounting Hardware



M159245AA

Index No.	Skyjack Part No.	Qty.	Description
1	106450	2	NUT, Hex head jam (3/4"-16, Gr. 5)
2	113304	2	WASHER, Flat steel plated (3/4")
3	113305	2	INSULATOR, Hydraulic extension platform noise
4	125664	1	SPACER, Hydraulic extension platform spacer
5	106446	1	RING, Retaining (#N1400-0175)
6	(Ref.)	1	EXTENSION CYLINDER ASSEMBLY (For components, refer to Section 1.11 Extension Cylinder Assembly)
7	129127	1	FITTING, Elbow 90°
8	701956	1	FITTING, Straight connector (6 SAE - 4 JIC)
9	113653	AR	CLAMP, Pipe (1.125")
10	103996	AR	WASHER, Flat (5/16" SAE)
11	103404	AR	WASHER, Lock (5/16")
12	103865	AR	BOLT, Hex head (5/16"-18 x 2", Gr. 5)
13	160482	1	BRACKET, Bulkhead fitting (Model SJIII 4626)
14	160783	2	FITTING, Run tee (2704-04-04-04) (Model SJIII 4626)
15	103887	2	BOLT, Hex head (5/16"-18 x 0.75", Gr. 5) (Model SJIII 4626)

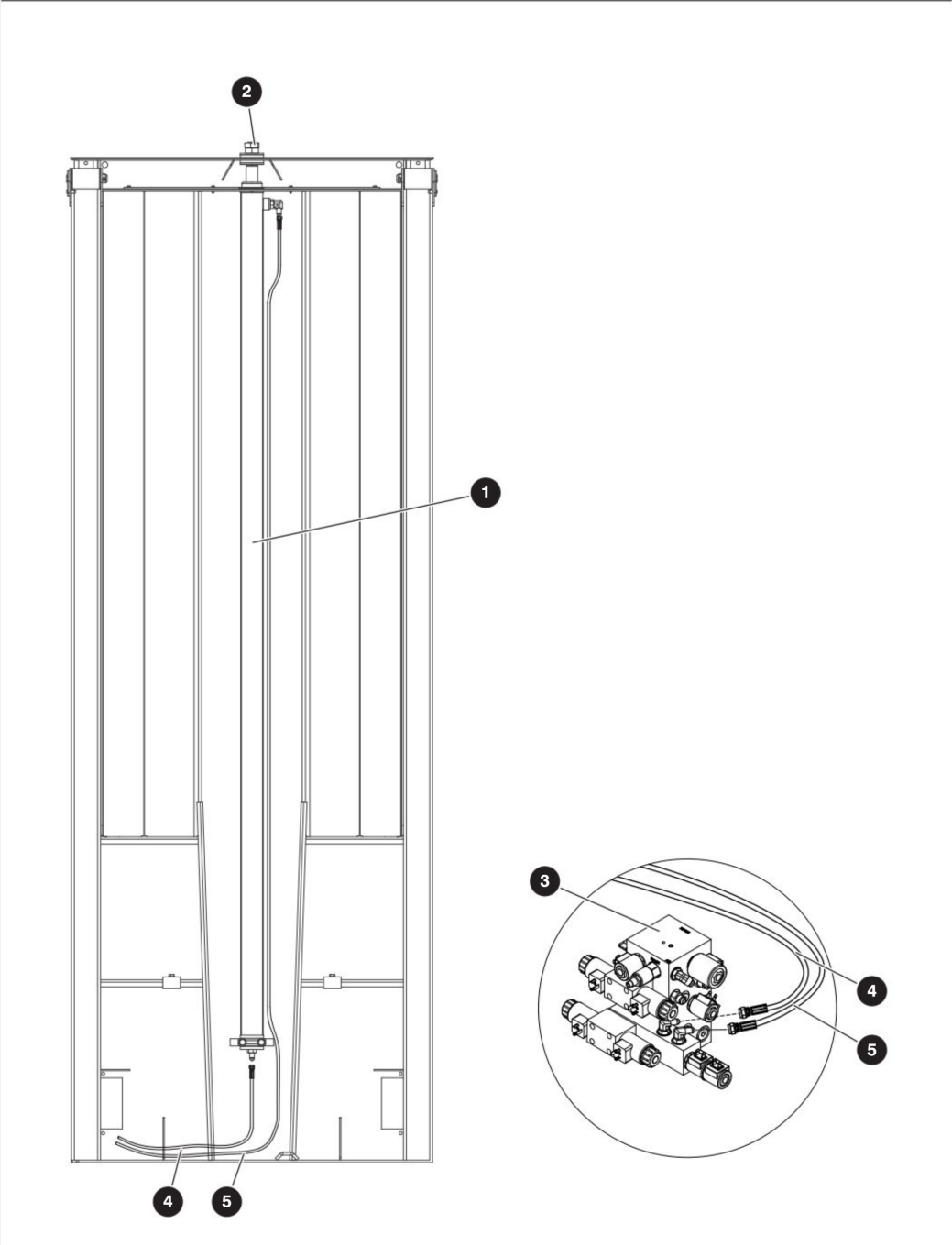
1.11 Extension Cylinder Assembly



M159239AA

Index No.	Skyjack Part No.	Qty.	Description
-	159239	1	EXTENSION CYLINDER ASSEMBLY (6')
1	163845	1	• WELDMENT, Cylinder barrel
2	163846	1	• ROD
3	161796	1	• PISTON
4	125698	1	• GLAND
5	161748	1	• END CAP
6	103830	1	• NUT, Hex head (5/8"-11, Gr. C)
K1	159256	AR	KIT, Seal repair

1.12 Hose Connections - Powered Extension (Models 3220/4620)



M160487AA

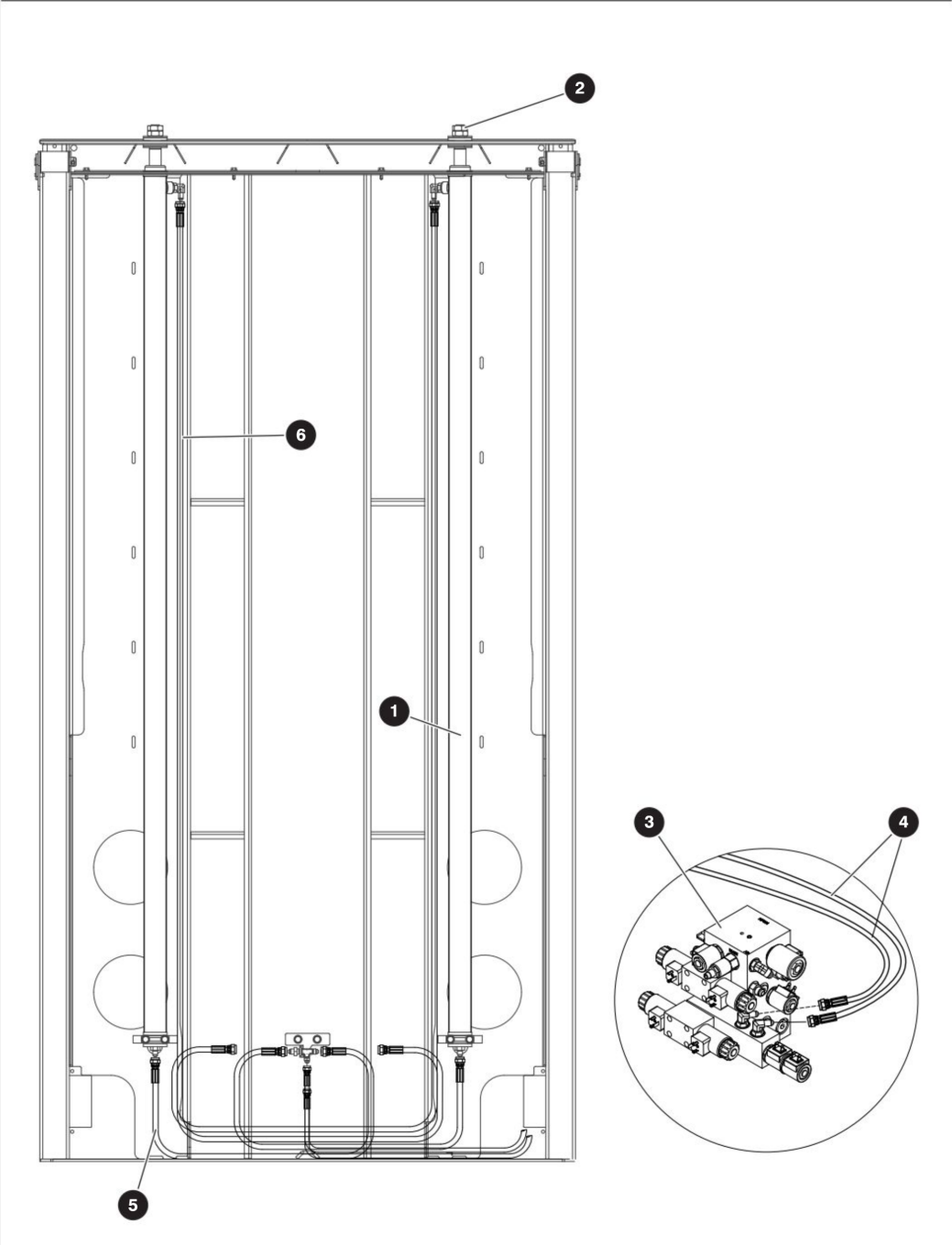
SJIII 3220 SJIII 3226 SJIII 4620 SJIII 4626 SJIII 4632

165974AL

1.12 Hose Connections - Powered Extension (Models 3220/4620)

Index No.	Skyjack Part No.	Qty.	Description
-	-	-	HYDRAULIC HOSE CONNECTION (<i>Model SJIII 3220/4620</i>)
1	(Ref.)	AR	EXTENSION CYLINDER ASSEMBLY (For components, refer to Section 1.11 Extension Cylinder Assembly)
2	(Ref.)	-	EXTENSION CYLINDER MOUNTING HARDWARE (For components, refer to Section 1.10 Extension Cylinder Mounting Hardware)
3	(Ref.)	-	MAIN MANIFOLD ASSEMBLY (For components, refer to Section 4.2 Main Manifold Assembly)
4	127994	1	HOSE (1/4" diameter x 312")
5	132460	1	HOSE (1/4" diameter x 392")

1.13 Hose Connections - Powered Extension (Model 4626)



M160488AB

SJIII 3220 SJIII 3226 SJIII 4620 SJIII 4626 SJIII 4632

SKYJACK

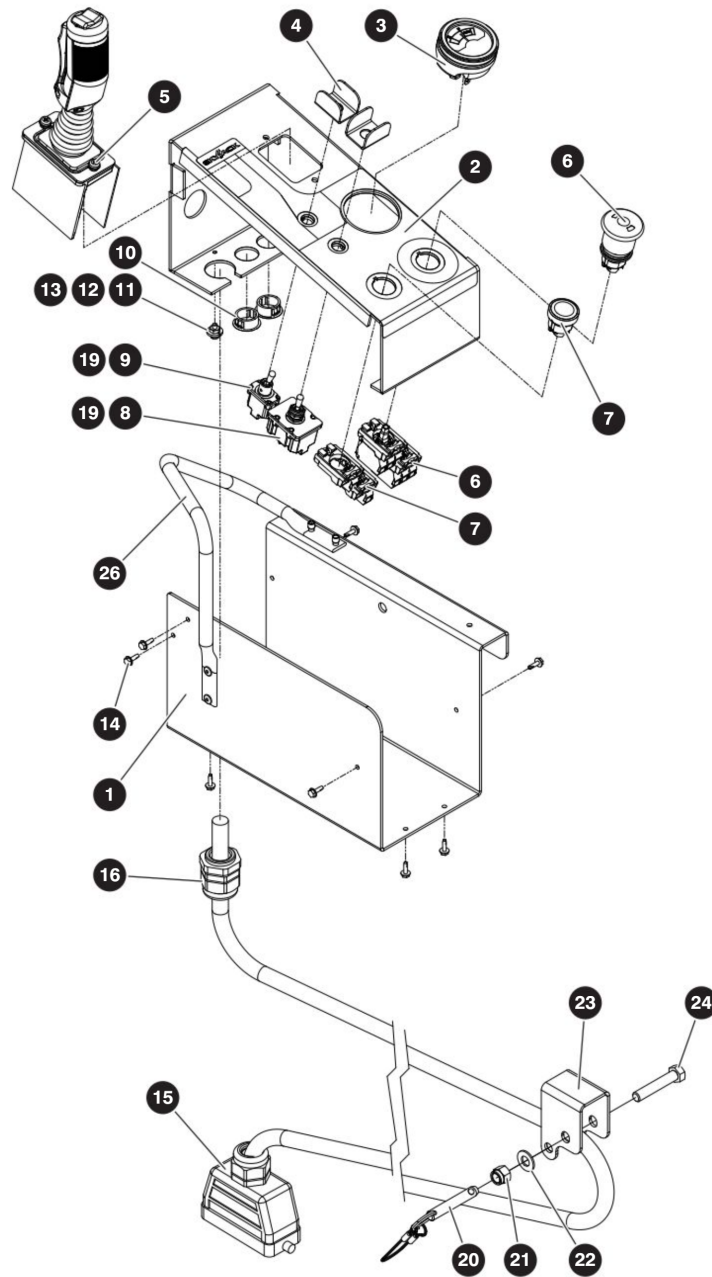
165974AL

1.13 Hose Connections - Powered Extension (Model 4626)

Index No.	Skyjack Part No.	Qty.	Description
1	(Ref.)	2	CYLINDER ASSEMBLY (Powered extension platform) (For components, refer to Section 1.11 Extension Cylinder Assembly)
2	(Ref.)	-	HARDWARE, Extension cylinder mounting (For components, refer to Section 1.10 Extension Cylinder Mounting Hardware)
3	(Ref.)	-	ASSEMBLY, Main manifold (For components, refer to Section 4.2 Main Manifold Assembly)
4	132460	2	HOSE ASSEMBLY
5	132461	2	HOSE ASSEMBLY (Extend)
6	132462	2	HOSE ASSEMBLY (Retract)

1.14 Platform Control Console Assembly

AE



M156879AA_1

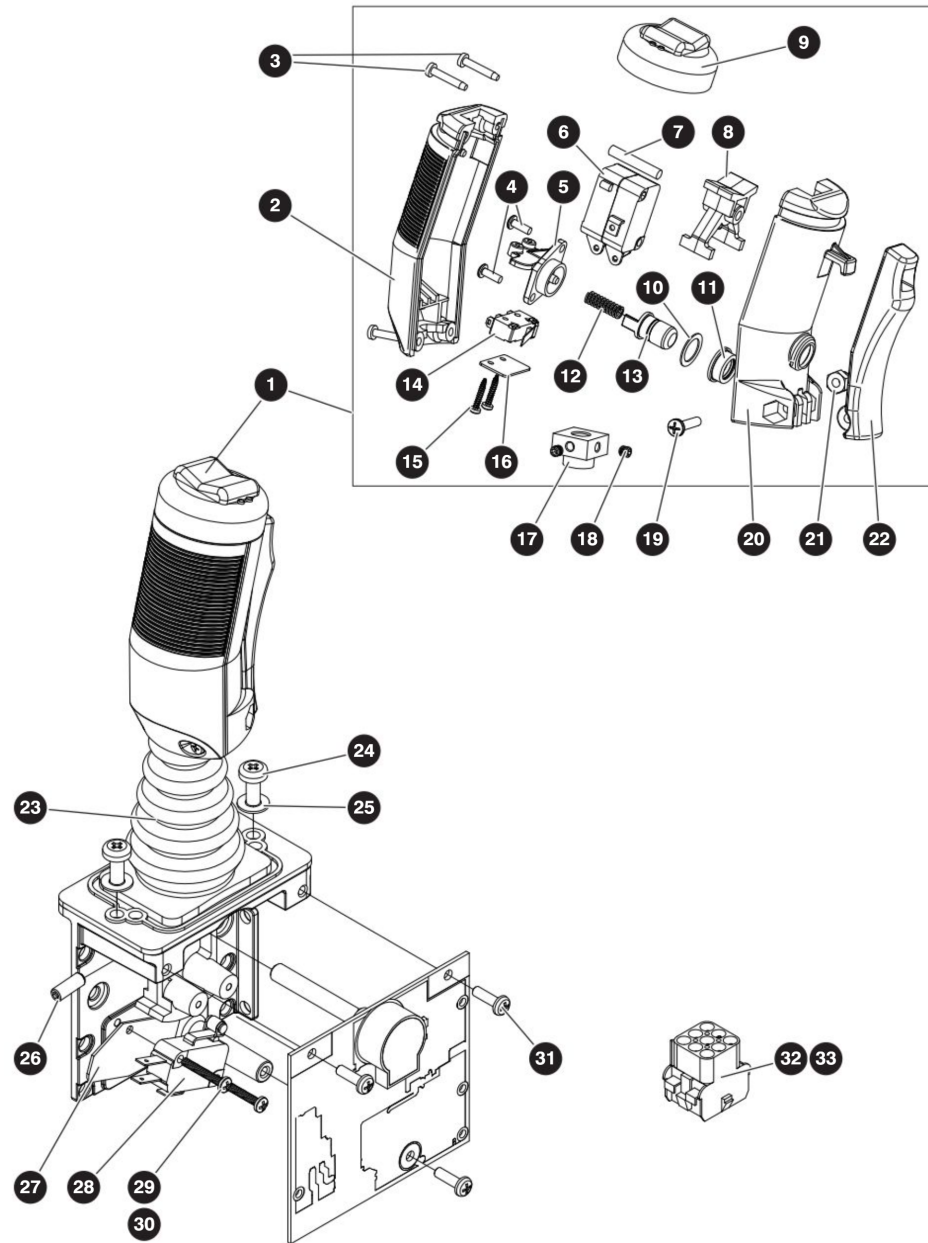
SJIII 3220 SJIII 3226 SJIII 4620 SJIII 4626 SJIII 4632

165974AL

1.14 Platform Control Console Assembly

Index No.	Skyjack Part No.	Qty.	Description
A	156879	-	ASSEMBLY, Control Console
B	156953	-	ASSEMBLY, Control Console (Powerdeck)
C	166805	-	ASSEMBLY, Control Console - Long Cable (Powerdeck)
D	158042	-	ASSEMBLY, Control Console - Long Cable (EE-Rated)
1	147373	1	• CONTROL CONSOLE (Bottom)
2	156923	1	• CONTROL CONSOLE (Top)
3	122093	1	• INDICATOR, Battery charge, A, B
4	111181	2	• GUARD, Toggle switch, A, B
5	(Ref.)	-	• ENABLE CONTROLLER ASSEMBLY, A, B (For components, refer to Section 1.15 Enable Controller Assembly)
6	194729	-	• ASSEMBLY, Switch - Emergency stop, A, B
	147051	1	• • HEAD, Emergency stop
	147056	1	• • LATCH
	147053	2	• • BLOCK, N.C. contact
	147061	1	• • LED BLOCK, 24V (red)
7	144648	-	• SWITCH ASSEMBLY, Horn Pushbutton, A, B
	147058	1	• • HEAD, Pushbutton (Horn)
	147056	1	• • LATCH
	147054	1	• • BLOCK, N.O. contact
8	116382	1	• SWITCH, Toggle (4NT1-1), A, B
9	115574	1	• SWITCH, Toggle (1NT1-2), A, B
10	102956	2	• PLUG (7/8" hole)
11	103957	1	• SCREW, Round head machine - #8-32 x 1/2"
12	112249	1	• WASHER, Lock - #8
13	103986	1	• NUT, Hex Hd - #8-32, A, B
	156884	1	• NUT, Hex Hd - 5/16"-24, Gr. 5, C, D
14	112327	9	• SCREW, Hex head self tapping - #8-18 x 1/2"
15	(Ref.)	-	• CONTROL CABLE ASSEMBLY, 16 pin, A, B • CONTROL CABLE ASSEMBLY, 16 pin - Long Cable, C, D (For components, refer to Section 1.19 Control Cable Assemblies)
16	300788	1	• STRAIN RELIEF (Not Shown)
17	116993	1	• HOUSING, Male connector (9 pin) (to control harness) (Not Shown)
18	(Ref.)	-	• CABLE, Powered extension platform, A, B (For components, refer to Section 1.16 Powered Extension Platform Cables)
19	144016	2	• SEAL, Panel bushing, A, B
-	162915	1	• ASSEMBLY, Control Cable Box Assembly, C, D
20	124548	1	• • Quick Release Pin - Large Loop
21	104606	1	• • NUT, Hex Nylon Lock - 3/8"-16, Gr. 5
22	103472	1	• • WASHER, Flat - 3/8"
23	158209	1	• • CLAMP, Control Cable Railing
24	103596	1	• • BOLT, Hex Hd - 3/8"-16 x 2", Gr. 5
25	(Ref.)	-	• WIRING, Control Box - Powerdeck, B, C (For components, refer to Section 1.16 Powered Extension Platform Cables)
26	138004	1	• TUBE, Control Box

1.15 Enable Controller Assembly



M159229AA

SJIII 3220 SJIII 3226 SJIII 4620 SJIII 4626 SJIII 4632

SKYJACK

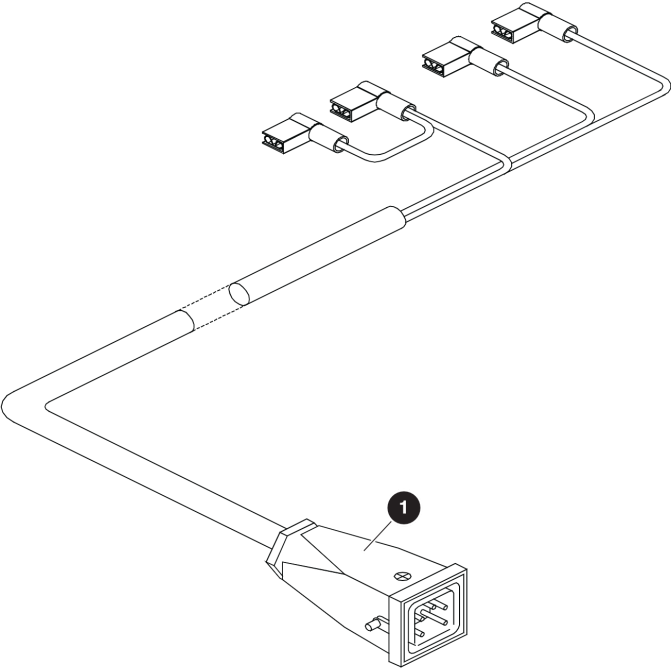
165974AL

35

1.15 Enable Controller Assembly

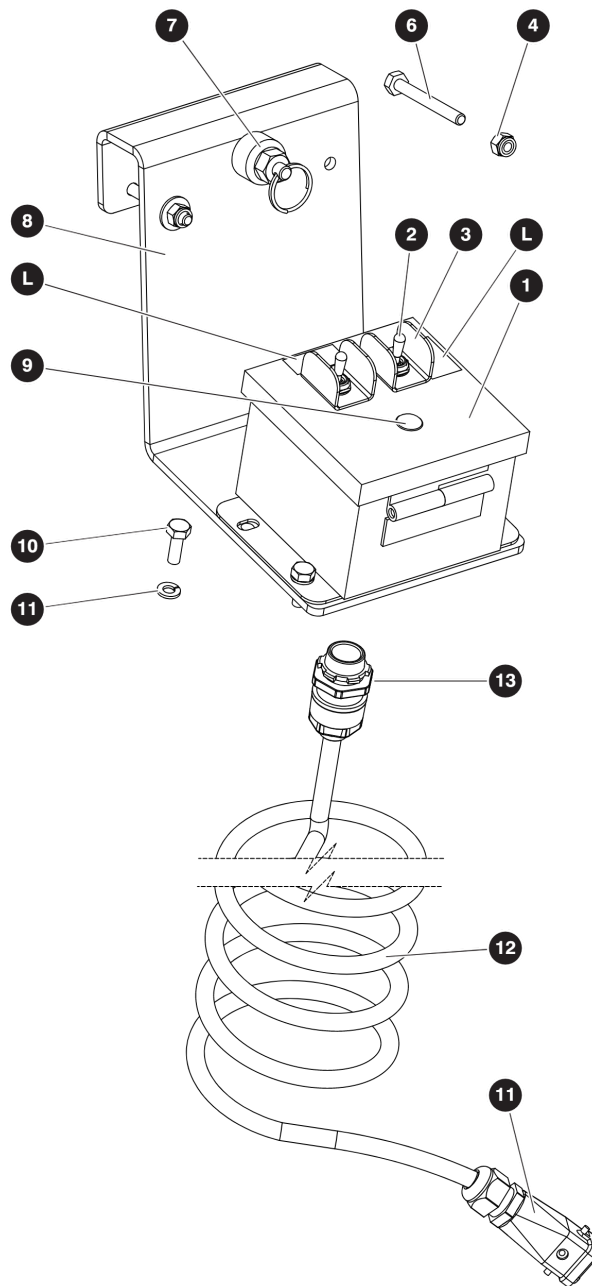
Index No.	Skyjack Part No.	Qty.	Description
-	159108	1	ENABLE CONTROLLER ASSEMBLY
1	159055	1	• HANDLE ASSEMBLY
2	159057	1	• • HANDLE, Front half
3	122879	4	• • SCREW, Controller handle
4	159065	2	• • SCREW, Plastite (#4-20 x 5/16")
5	159060	1	• • HOLDER, Micro switch
6	159613	1	• • ROCKER MICRO ASSEMBLY
7	141341	1	• • AXLE, Rocker
8	154717	1	• • ROCKER
9	122874	1	• • BOOT, Rocker
10	159063	1	• • WASHER
11	159062	1	• • BOOT, Plunger switch
12	159064	1	• • SPRING
13	159061	1	• • SWITCH, Plunger
14	159067	1	• • SWITCH, Lever micro
15	159066	2	• • SCREW, Plastite (#2-28 x 1/2")
16	159068	1	• • INSULATOR, Micro
17	122961	1	• • COUPLING (8mm)
18	122960	2	• • SCREW, Set
19	154718	1	• • SCREW (#6-32 x 5/8")
20	159058	1	• • HANDLE, Back half
21	122964	1	• • NUT, Controller lever
22	159059	1	• • LEVER, Trigger
23	127179	1	• BOOT & GASKET
24	122846	2	• SCREW
25	122847	2	• WASHER
26	147312	1	• SETSCREW
27	159618	1	• INSULATOR
28	122869	1	• SWITCH, Micro
29	147313	2	• SCREW, Switch micro
30	122870	2	• WASHER
31	122867	3	• SCREW, Circuit board
32	122840	1	• MALE CONNECTOR ASSEMBLY (9 pin)
	116993	1	• • HOUSING, Male connector (9 pin)
	116990	9	• • PIN, Female wire
33	122841	1	• FEMALE CONNECTOR ASSEMBLY (9 pin)
	122839	1	• • HOUSING, Connector Female 9 pin
	116989	9	• • PIN, Male wire

1.17 Extension Platform Harness



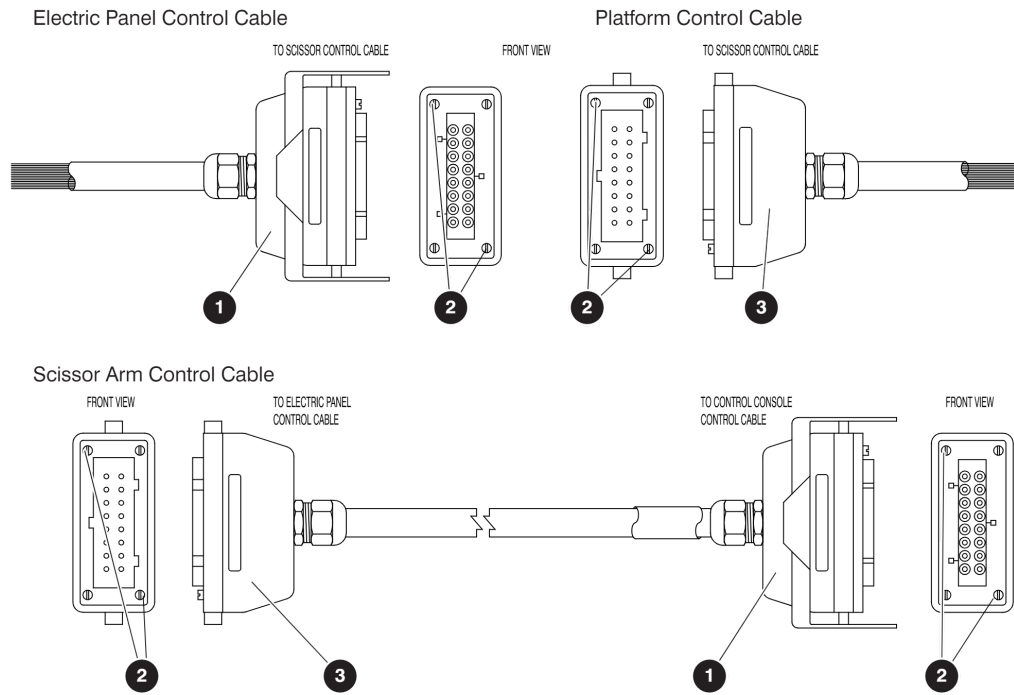
M10208AB_1

Index No.	Skyjack Part No.	Qty.	Description
A	126109	-	HARNESS, Extension platform (Model SJIII 3220/4620 ANSI/CSA)
B	114829	-	HARNESS, Extension platform (Model SJIII 4626 ANSI/CSA)
1	107712	1	<ul style="list-style-type: none"> CONNECTOR, Male (5 pin)



1.18 Extension Platform Control Console

Index No.	Skyjack Part No.	Qty.	Description
-	160494	-	POWERED EXTENSION PLATFORM CONTROL CONSOLE ASSEMBLY
1	115539	1	• BOX, Control
2	102853	2	• SWITCH, Toggle
3	111181	2	• GUARD, Toggle switch
4	115649	2	• NUT, Lock, Nylon/Zinc (1/4"-20, Gr. 5)
5	103995	4	• WASHER, Flat (1/4")
6	103862	2	• BOLT, Hex head (1/4"-20, Gr. 5*2.25)
7	112467	1	• PLUNGER, Stubby pull ring
8	129779	1	• PLATE, Powerdeck controls support (Used with 112467 - PLUNGER, Stubby Pull Ring)
	212522	1	• PLATE, Powerdeck controls support (Used without 112467 - PLUNGER, Stubby Pull Ring)
9	114377	1	• PLUG, Plastic (1/2")
10	103856	4	• BOLT, Hex head (1/4"-20 x 3/4", Gr. 5)
11	107712	1	• MALE CONNECTOR ASSEMBLY (5 pin)
	103567	1	• • HOUSING ASSEMBLY
	132790	1	• • • HOUSING
	132110	1	• • • CONNECTOR, Strain relief
	103569	1	• • INSERT, Male
12	160856	1	• CORD, Coiled (18/4)
13	103041	1	• CONNECTOR, Strain relief
14	102955	4	• TERMINAL, 14-16 GA #6 ring, blue (Not Shown)
15	119749	3	• TERMINAL, 22-16 GA #6 ring, red (Not Shown)
L	(Ref.)	-	LABELS (For components, refer to Section 8.1 Label Kit)



M146601AA2

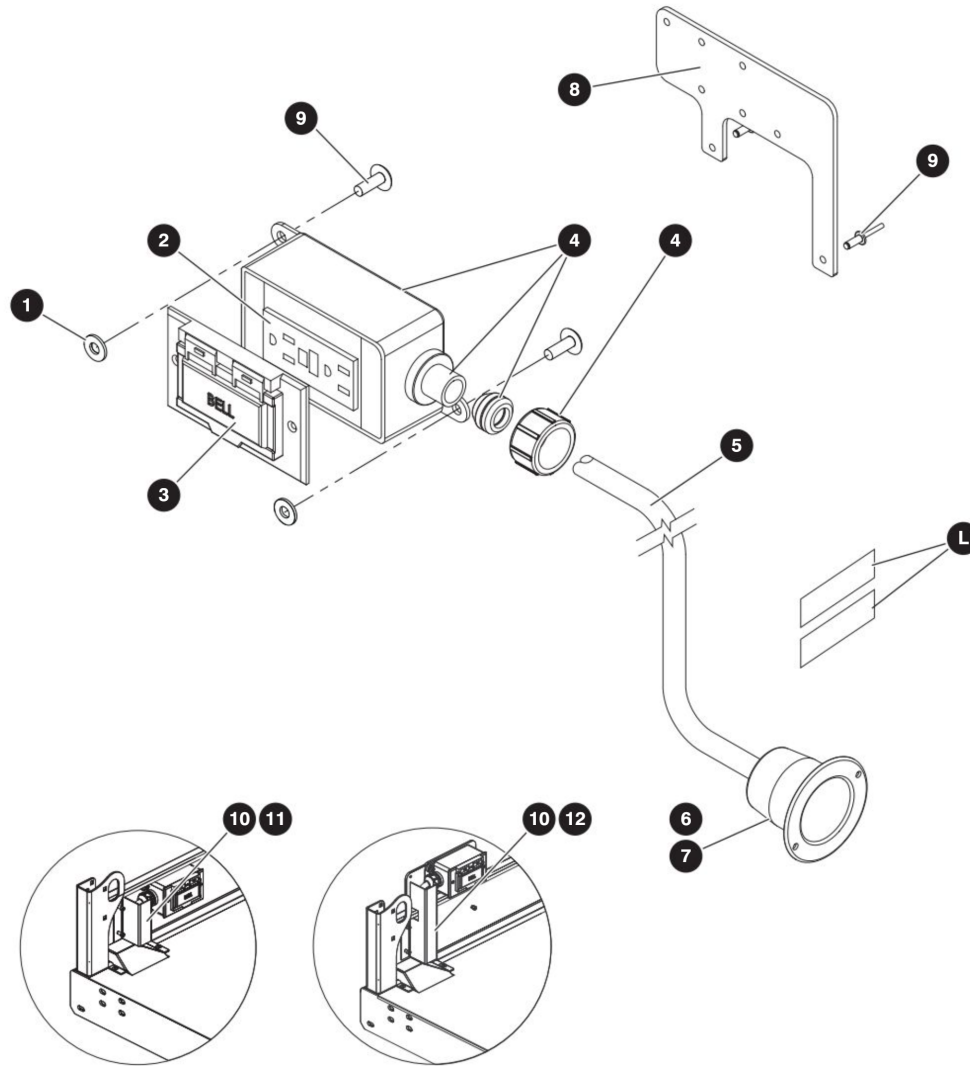
SJIII 3220 SJIII 3226 SJIII 4620 SJIII 4626 SJIII 4632

SKYJACK

165974AL

1.19 Control Cable Assemblies

Index No.	Skyjack Part No.	Qty.	Description
A	156893	-	PLATFORM CONTROL CABLE ASSEMBLY
	156993	-	PLATFORM CONTROL CABLE ASSEMBLY (<i>Long Cable</i>)
B	146650	-	SCISSOR ARM CONTROL CABLE ASSEMBLY (<i>Model SJIII xx20</i>)
	146599	-	SCISSOR ARM CONTROL CABLE ASSEMBLY (<i>Model SJIII xx26</i>)
	146600	-	SCISSOR ARM CONTROL CABLE ASSEMBLY (<i>Model SJIII xx32</i>)
C	146585	-	ELECTRIC PANEL CONTROL CABLE ASSEMBLY (<i>Non-EE Rated</i>)
	159307	-	ELECTRIC PANEL CONTROL CABLE ASSEMBLY (<i>EE Rated</i>)
1	107821	1	CONNECTOR, Female (16 pin)
	103565	1	• HOUSING, Female
	103573	1	• INSERT, Female
2	119727	2	PIN, Code, A, C
	119727	4	PIN, Code, B
3	107820	1	CONNECTOR, Male (16 pin)
	103564	1	• HOUSING, Male
	103574	1	• INSERT, Male



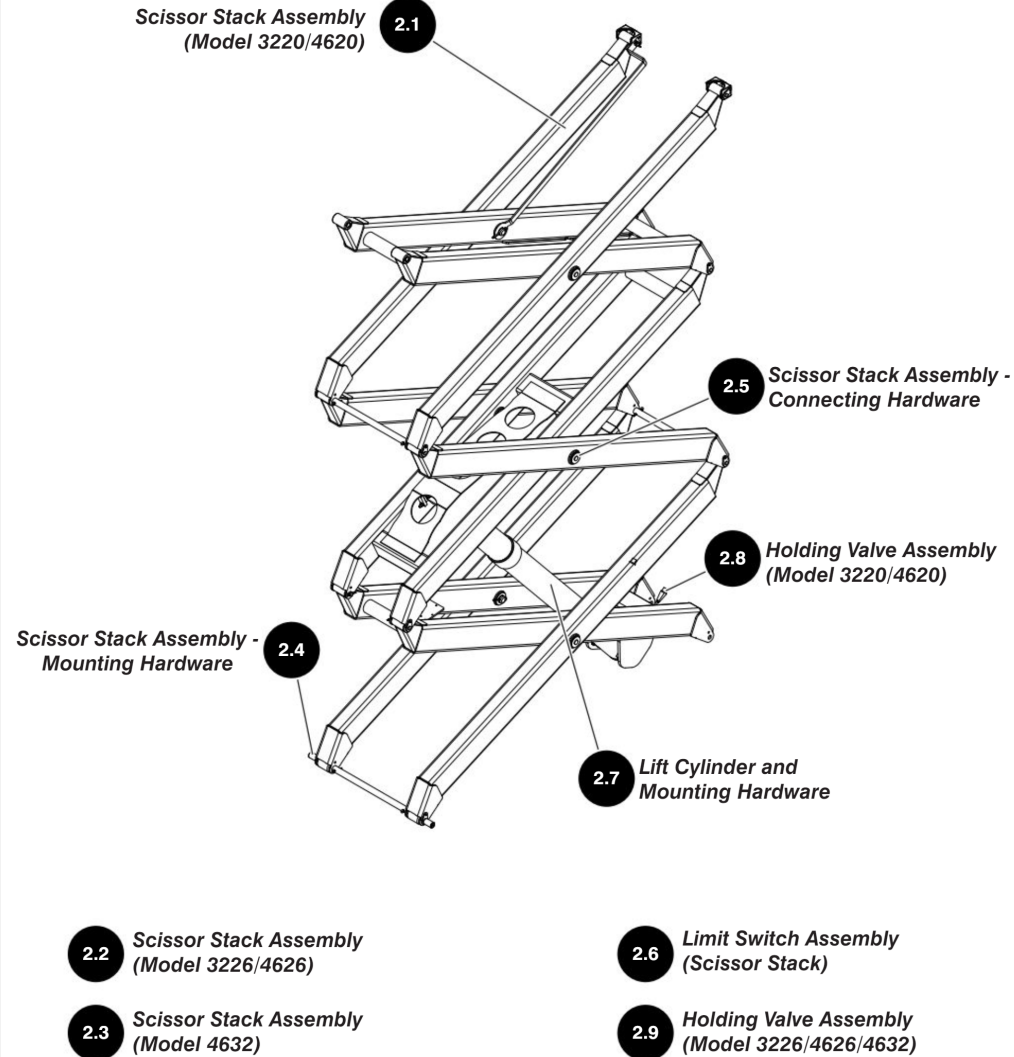
M122005AC_4

SJIII 3220 SJIII 3226 SJIII 4620 SJIII 4626 SJIII 4632

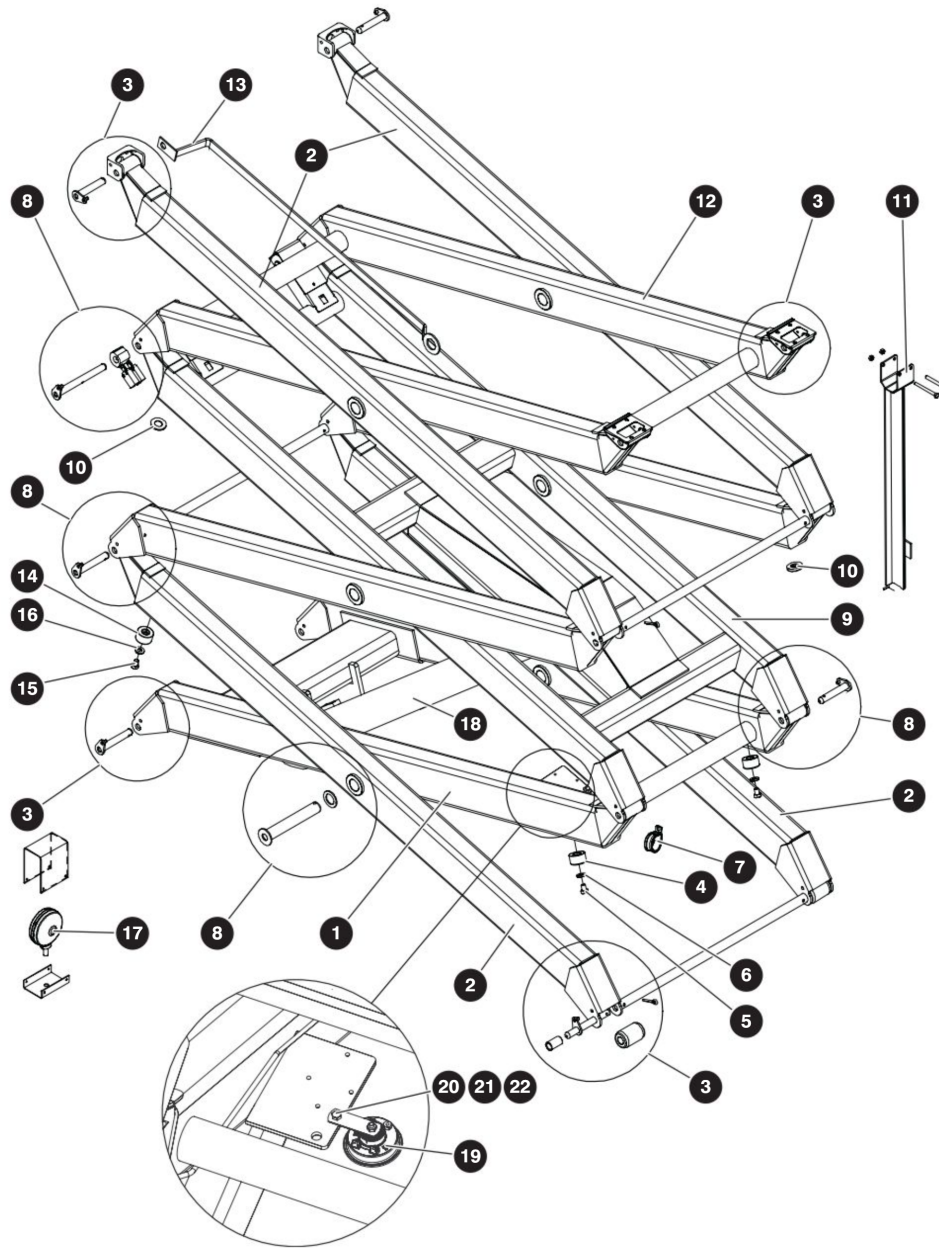
165974AL

Index No.	Skyjack Part No.	Qty.	Description
1	103995	2	WASHER, Flat (1/4")
2	109698	1	RECEPTACLE, GFI (125V)
	112327	4	BOLT, Self tapping (#8-18 x 1/2")
3	109699	1	PLATE, Weatherproof cover
	114678	2	SCREW, Machine (#6-32 x 1/2")
4	136328	1	BOX, Outlet (with strain relief)
5	105269	342"	CORD (14/3) (Model SJIII xx20)
	105269	420"	CORD (14/3) (Models xx26)
	105269	516"	CORD (14/3) (Model SJIII 4632)
6	105271	1	PLUG, 3-Prong recessed
	119913	2	RIVET, Pop (5/32")
7	113227	1	SEAL, 110V Seal tite cover
8	196224	1	PLATE, Outlet Box Support (If equipped) (Models 322x)
9	134140	4	RIVET, Pop (1/4" diameter x 0.740")
10	139641	2	RIVET, Pop (1/4" diameter x 0.615")
11	156634	1	COVER, Ontario Hydro 110 (without gate)
12	156636	1	COVER, Ontario Hydro 110 (with gate)
L	(Ref.)	-	LABELS (For components, refer to Section 8.1 Label Kit)

Section 2 – Scissor Related Parts



2.1 Scissor Stack Assembly (Model 3220/4620)



M146648AA_8

SJIII 3220 SJIII 3226 SJIII 4620 SJIII 4626 SJIII 4632

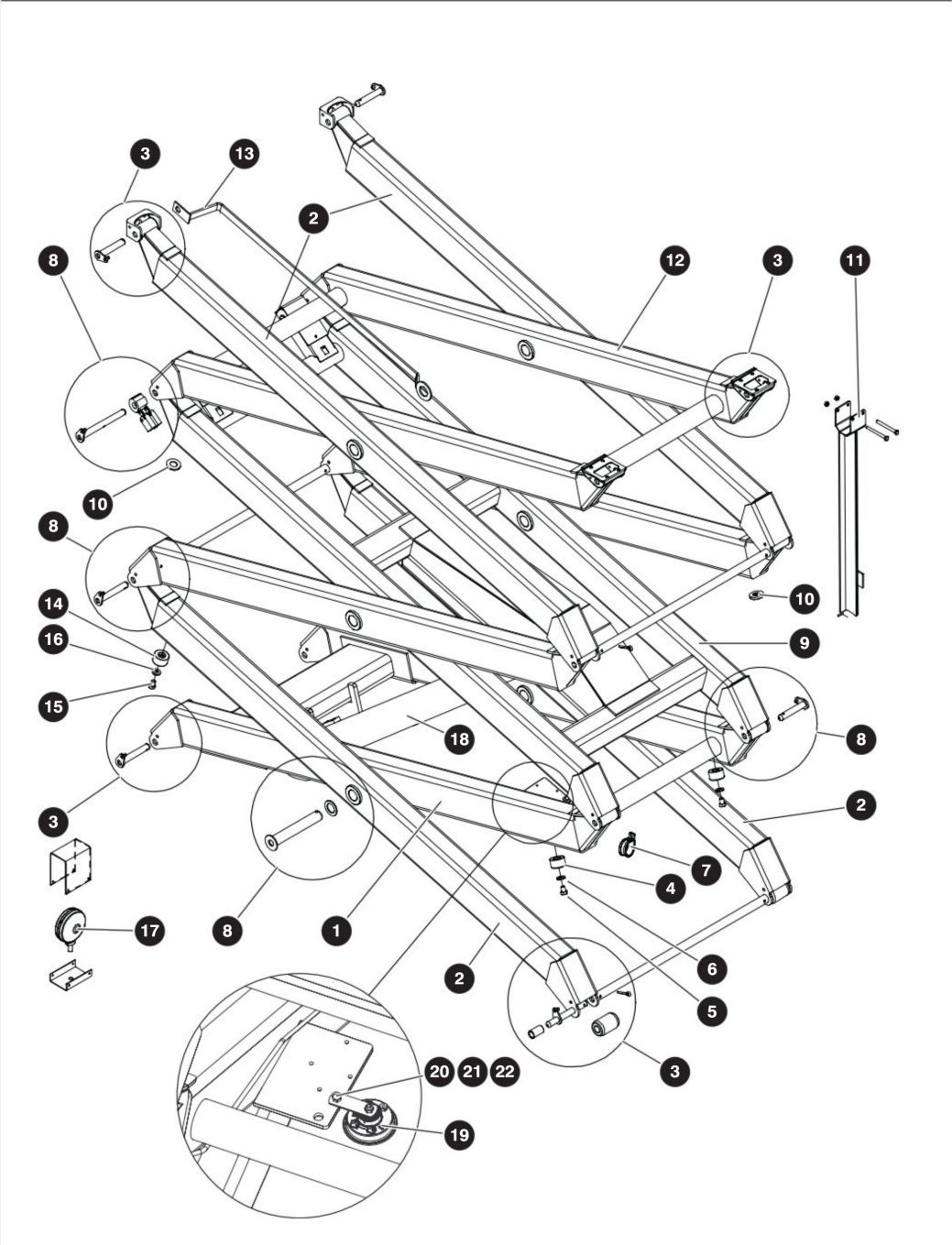
SKYACK

165974AL

2.1 Scissor Stack Assembly (Model 3220/4620)

Index No.	Skyjack Part No.	Qty.	Description
A	-	-	SCISSOR STACK ASSEMBLY (Model SJIII 3220)
	125997	-	SCISSOR STACK ASSEMBLY (ANSI/CSA without powered extension platform)
	132580	-	SCISSOR STACK ASSEMBLY (ANSI/CSA with powered extension platform)
	126687	-	SCISSOR STACK ASSEMBLY (KC without powered extension platform)
	158202	-	SCISSOR STACK ASSEMBLY (KC with powered extension platform)
B	-	-	SCISSOR STACK ASSEMBLY (Model SJIII 4620)
	134764	-	SCISSOR STACK ASSEMBLY (ANSI/CSA without powered extension platform)
	134765	-	SCISSOR STACK ASSEMBLY (ANSI/CSA with powered extension platform)
	158088	-	SCISSOR STACK ASSEMBLY (KC without powered extension platform)
	158203	-	SCISSOR STACK ASSEMBLY (KC with powered extension platform)
1	228810	1	SCISSOR LEVEL, Inside cylinder bottom, A
	228816	1	SCISSOR LEVEL, Inside cylinder bottom, B
2	125902	6	SCISSOR ARMS, Outside
3	(Ref.)	-	SCISSOR STACK MOUNTING ASSEMBLY (For components, refer to Section 2.4 Scissor Stack Assembly - Mounting Hardware)
4	130840	2	BUMPER, Scissor bottom (Front 1st level)
5	123713	2	BOLT, Hex head (M12-1.25 x 16mm)
6	933630	2	WASHER, Structural - Hard (M12)
7	103078	AR	CLIP, Double (G10)
	122501	AR	• SCREW, Hex head machine (3/8"-16 x 5/8")
8	(Ref.)	-	HARDWARE, Scissor arm assembly connecting (For components, refer to Section 2.5 Scissor Stack Assembly - Connecting Hardware)
9	228811	1	SCISSOR LEVEL, Inside cylinder top, A
	228815	1	SCISSOR LEVEL, Inside cylinder top, B
10	121860	AR	BUMPER, Scissor arm
11	123344	1	WELDMENT, Safety bar, A
	123324	1	WELDMENT, Safety bar, B
	103984	AR	• NUT, Hex lock (5/16"-18, Gr. 5)
	122006	AR	• BOLT, Hex head (5/16"-18 x 3.25", Gr. 5)
12	198826	1	SCISSOR LEVEL, Inside, A
	207987	1	SCISSOR LEVEL, Inside, B
13	121907	AR	CABLE CARRIER WLDT, A
	134749	AR	CABLE CARRIER ASM, B
	134737	1	• CABLE WARRIER
	702194	2	• WASHER, Flat - 3/4" Hard High/Zinc
	103085	1	• COTTER PIN, 3/16" DIA x 1-1/2"
14	130840	2	BUMPER, Scissor bottom (Rear 1st level)
15	123713	2	BOLT, Hex head (M12-1.25 x 16mm)
16	205682	2	WASHER, Flat (7/8") - Hard ZN

2.1 Scissor Stack Assembly (Model 3220/4620)



M146648AA_8

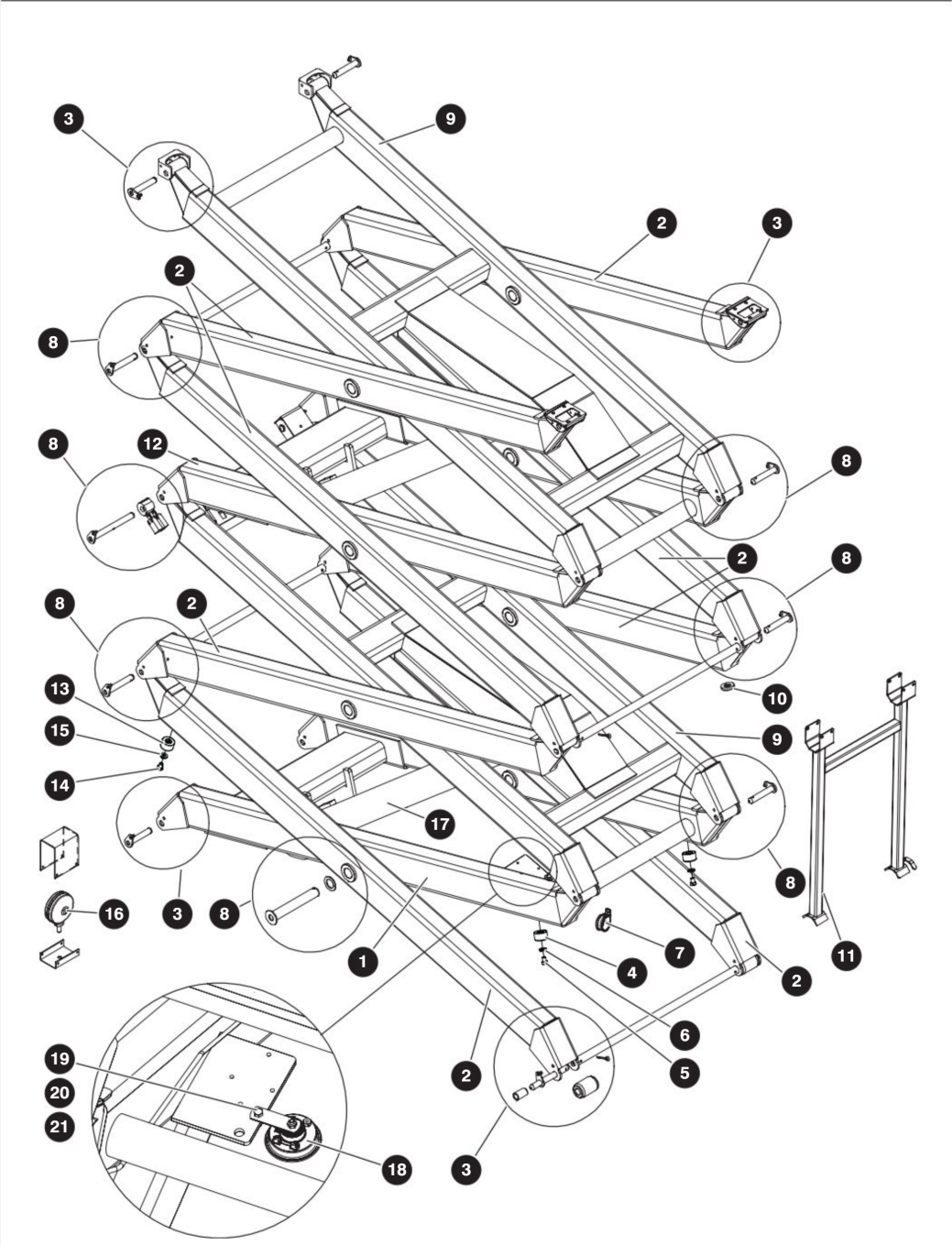
SJIII 3220 SJIII 3226 SJIII 4620 SJIII 4626 SJIII 4632

165974AL

2.1 Scissor Stack Assembly (Model 3220/4620)

Index No.	Skyjack Part No.	Qty.	Description
17	(Ref.)	-	FLASHING LIGHT ASSEMBLY (For components, refer to Section 7.5 Flashing Amber Light Option)
18	(Ref.)	-	LIFT CYLINDER (For components, refer to Section 2.7 Lift Cylinder and Mounting Hardware)
19	146649	1	HORN, Low tone (24V)
	123778	1	RUBBER, Liquid (EE-Rated)
20	103857	1	BOLT, Hex head (1/4"-20 x 1", Gr. 5)
21	103995	1	WASHER, Flat (1/4")
22	115649	1	NUT, Hex nylon lock (1/4"-20, Gr. 5)

2.2 Scissor Stack Assembly (Model 3226/4626)



M146648AA_7

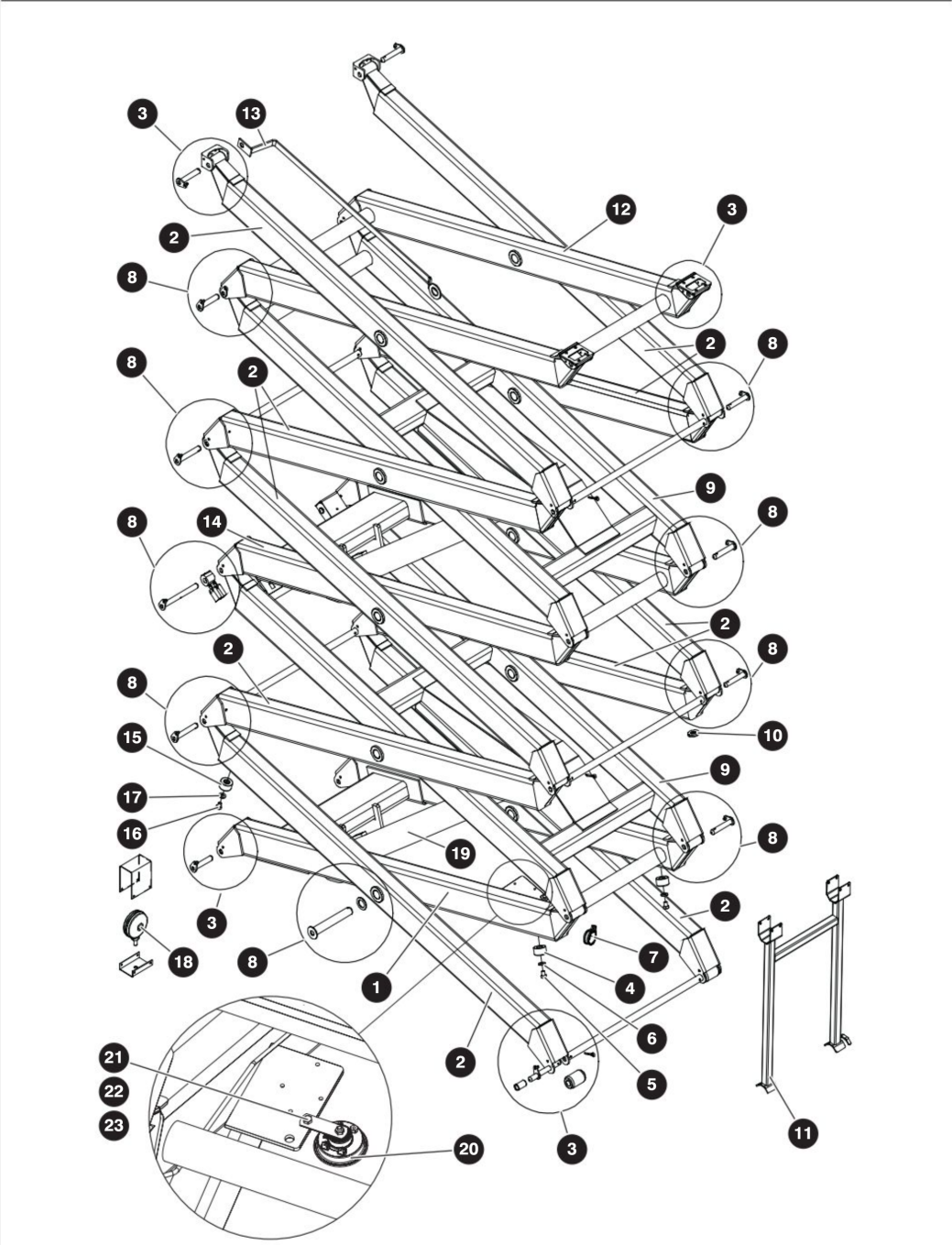
SJIII 3220 SJIII 3226 SJIII 4620 SJIII 4626 SJIII 4632

165974AL

2.2 Scissor Stack Assembly (Model 3226/4626)

Index No.	Skyjack Part No.	Qty.	Description
A	125965	-	SCISSOR STACK ASSEMBLY (Model SJIII 3226)
B	134348	-	SCISSOR STACK ASSEMBLY (Model SJIII 4626)
1	228810	1	SCISSOR LEVEL, Inside cylinder bottom, A
	228816	1	SCISSOR LEVEL, Inside cylinder bottom, B
2	125902	8	SCISSOR ARMS, Outside
3	(Ref.)	-	SCISSOR STACK MOUNTING ASSEMBLY (For components, refer to Section 2.4 Scissor Stack Assembly - Mounting Hardware)
4	130840	2	BUMPER, Scissor bottom (Front 1st level)
5	123713	2	BOLT, Hex head (M12-1.25 x 16mm)
6	933630	2	WASHER, Structural - Hard (M12)
7	103078	AR	CLIP, Double (G10)
	122501	AR	• SCREW, Hex head machine (3/8"-16 x 5/8")
8	(Ref.)	-	HARDWARE, Scissor arm assembly connecting (For components, refer to Section 2.5 Scissor Stack Assembly - Connecting Hardware)
9	228811	2	SCISSOR LEVEL, Inside cylinder top, A
	228815	2	SCISSOR LEVEL, Inside cylinder top, B
10	121860	AR	BUMPER, Scissor arm
11	123344	1	WELDMENT, Safety bar, A
	123324	1	WELDMENT, Safety bar, B
	103984	AR	• NUT, Hex lock (5/16"-18, Gr. 5)
	122006	AR	• BOLT, Hex head (5/16"-18 x 3.25", Gr. 5)
12	228813	1	SCISSOR LEVEL, Inside cylinder bottom, A
	228817	1	SCISSOR LEVEL, Inside cylinder bottom, B
13	130840	2	BUMPER, Scissor bottom (Rear 1st level)
14	123713	2	BOLT, Hex head (M12-1.25 x 16mm)
15	205682	2	WASHER, Flat - Hard Zn (7/8")
16	(Ref.)	-	FLASHING AMBER LIGHT ASSEMBLY (For components, refer to Section 7.5 Flashing Amber Light Option)
17	(Ref.)	-	LIFT CYLINDER (For components, refer to Section 2.7 Lift Cylinder and Mounting Hardware)
18	146649	1	HORN, Low tone (24V)
	123778	4	RUBBER, Liquid (EE-Rated)
19	103857	1	BOLT, Hex head (1/4"-20 x 1", Gr. 5)
20	103995	1	WASHER, Flat (1/4")
21	115649	1	NUT, Hex nylon lock (1/4"-20, Gr. 5)

2.3 Scissor Stack Assembly (Model 4632)



M11105AC_2

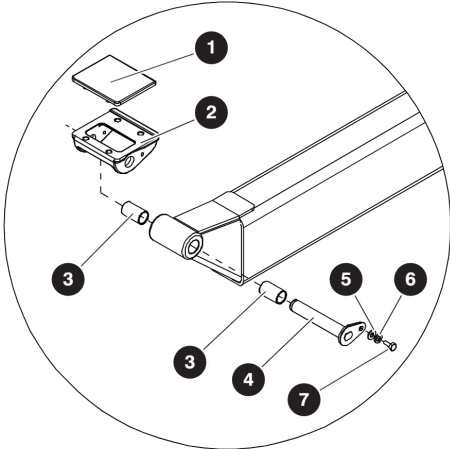
SJIII 3220 SJIII 3226 SJIII 4620 SJIII 4626 SJIII 4632

165974AL

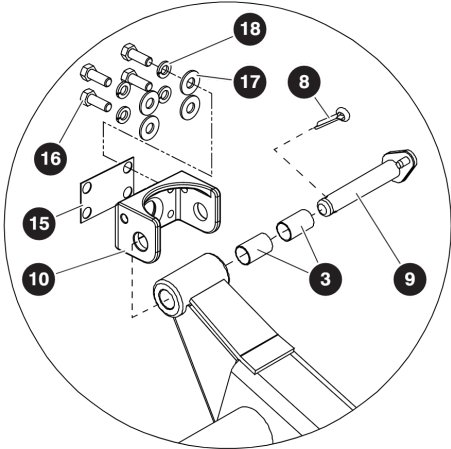
2.3 Scissor Stack Assembly (Model 4632)

Index No.	Skyjack Part No.	Qty.	Description
-	134799	-	SCISSOR STACK ASSEMBLY (<i>Model SJIII 4632</i>)
1	228816	1	SCISSOR LEVEL, Inside cylinder bottom
2	125902	10	SCISSOR ARMS, Outside
3	(Ref.)	-	SCISSOR STACK MOUNTING ASSEMBLY (For components, refer to Section 2.4 Scissor Stack Assembly - Mounting Hardware)
4	130840	2	BUMPER, Scissor bottom (Front 1st level)
5	123713	2	BOLT, Hex head (M12-1.25 x 16mm)
6	933630	2	WASHER, Structural - Hard (M12)
7	103078	AR	CLIP, Double (G10)
	122501	AR	• SCREW, Hex head machine (3/8"-16 x 5/8")
8	(Ref.)	-	SCISSOR ARM CONNECTING ASSEMBLY (For components, refer to Section 2.5 Scissor Stack Assembly - Connecting Hardware)
9	228815	2	SCISSOR LEVEL, Inside cylinder top
10	121860	AR	BUMPER, Scissor arm
11	123324	1	WELDMENT, Safety bar
	103984	4	• NUT, Hex lock (5/16"-18, Grade B)
	122006	4	• BOLT, Hex head (5/16"-18 x 3.25", Gr. 5)
12	198555	1	SCISSOR LEVEL, Upper inside
13	134749	1	WELDMENT, Cable carrier
	134737	1	• CABLE WARRIER
	702194	2	• WASHER, Flat - 3/4" Hard High/Zinc
	103085	1	• COTTER PIN, 3/16" DIA x 1-1/2"
14	228817	1	SCISSOR LEVEL, Inside cylinder bottom
15	130840	2	BUMPER, Scissor bottom (Rear 1st level)
16	123713	2	BOLT, Hex head (M12-1.25 x 16mm)
17	205682	2	WASHER, Flat - Hard Zn (7/8")
18	(Ref.)	-	FLASHING AMBER LIGHT ASSEMBLY (For components, refer to Section 7.5 Flashing Amber Light Option)
19	(Ref.)	-	LIFT CYLINDER (For components, refer to Section 2.7 Lift Cylinder and Mounting Hardware)
20	146649	1	HORN, Low tone (24V)
	123778	4	RUBBER, Liquid Terminal Coat (<i>EE-Rated only</i>)
21	103857	1	BOLT, Hex head (1/4"-20 x 1", Gr. 5)
22	103995	1	WASHER, Flat (1/4")
23	115649	1	NUT, Hex nylon lock (1/4"-20, Gr. 5)

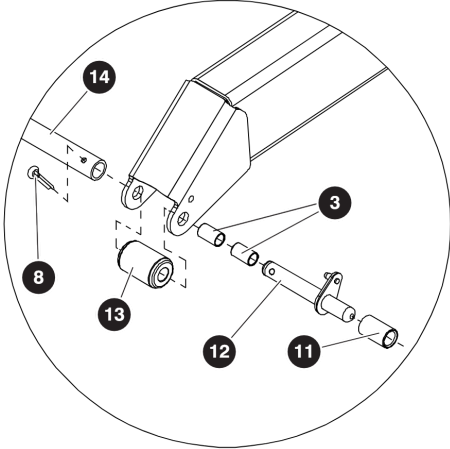
Top Slider Assembly



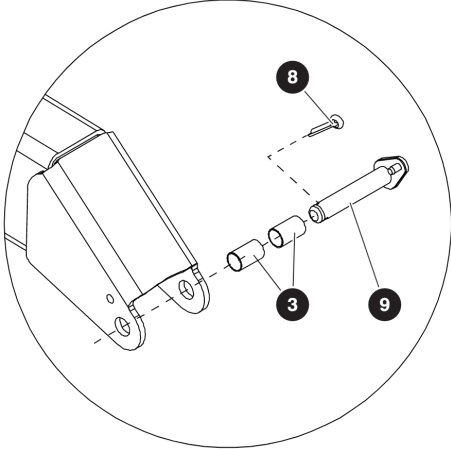
Top Mounting Bracket Assembly



Bottom Slider Assembly



Bottom End Pin Assembly

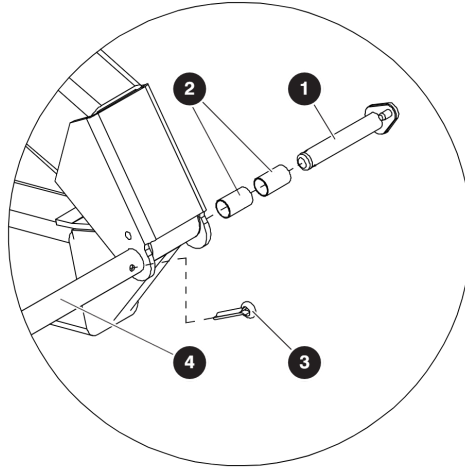


2.4 Scissor Stack Assembly - Mounting Hardware

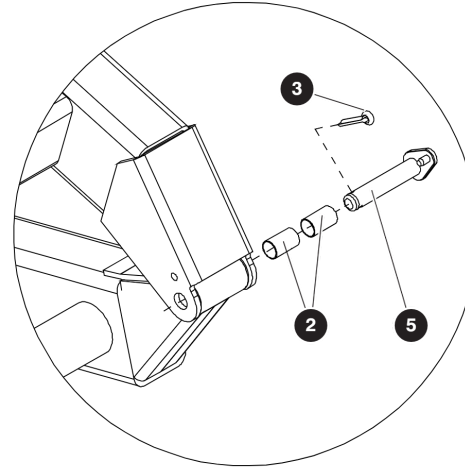
Index No.	Skyjack Part No.	Qty.	Description
1	120772	1	PAD, Slider
2	120771	1	BRACKET, Top slider (Models 3220, 3226, 4620 & 4632)
	134049	1	BRACKET, Top slider (Model SJIII 4626)
3	123430	2	BUSHING, Fiberglide (3/4" inner diameter x 1.5")
4	123416	1	PIN, Top slider (Model SJIII 322x)
	134494	1	PIN, Top slider (Model SJIII 4620)
	121685	1	PIN, Top slider (Models 4626/4632)
5	103995	1	WASHER, Flat (1/4")
6	104000	1	WASHER, Lock (1/4")
7	103892	1	BOLT, Hex head (1/4"-20 x 5/8")
8	121874	8	PIN, Cotter (1/4" x 1.5")
9	120958	1	PIN (3/4" diameter x 4") (without cable carrier weldment)
	121676	1	PIN (3/4" diameter x 4.25") (with cable carrier weldment)
10	125470	2	CASTING, Platform mounting bracket (Models 322x/4632)
	134065	2	CASTING, Platform mounting bracket (Model SJIII 4626)
11	121856	1	SPACER, Bottom roller pin (For model SJIII 3220 with serial number 60004189 & Above) (For model SJIII 3226 with serial number 27017551 & Above) (For model SJIII 46xx with serial number 70021323 & Below)
	169583	1	PIN, Bottom roller (For model SJIII 46xx with serial number 70021324 & Above)
12	121604	1	PIN, Bottom roller (For model SJIII 3220 with serial number 60004189 & Above) (For model SJIII 3226 with serial number 27017551 & Above) (For model SJIII 46xx with serial number 70021323 & Below)
	169577	1	PIN, Bottom roller (For model SJIII 46xx with serial number 70021324 & Above)
13	120697	2	ROLLER, Scissor
14	121605	3	TUBE, Outside scissor arms cross member (Models 322x)
	121672	3	TUBE, Outside scissor arms cross member (Models 46xx)
15	133169	AR	SHIM, Platform mount
16	130473	8	BOLT, Hex Hd (3/8"-16 x 1")
17	103472	8	WASHER, Flat (3/8")
18	103999	8	WASHER, Lock (3/8")

2.5 Scissor Stack Assembly - Connecting Hardware

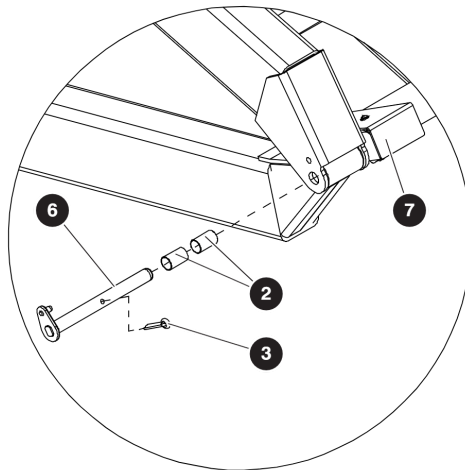
Outside End Pin Assembly
(with Cross Member Tube)



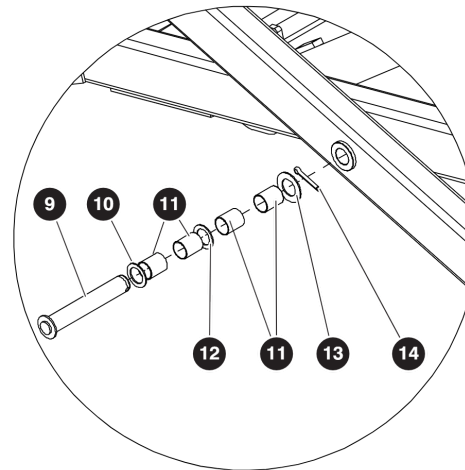
Inside End Pin Assembly
(without Cross member Tube)



Limit Switch Pin Assembly

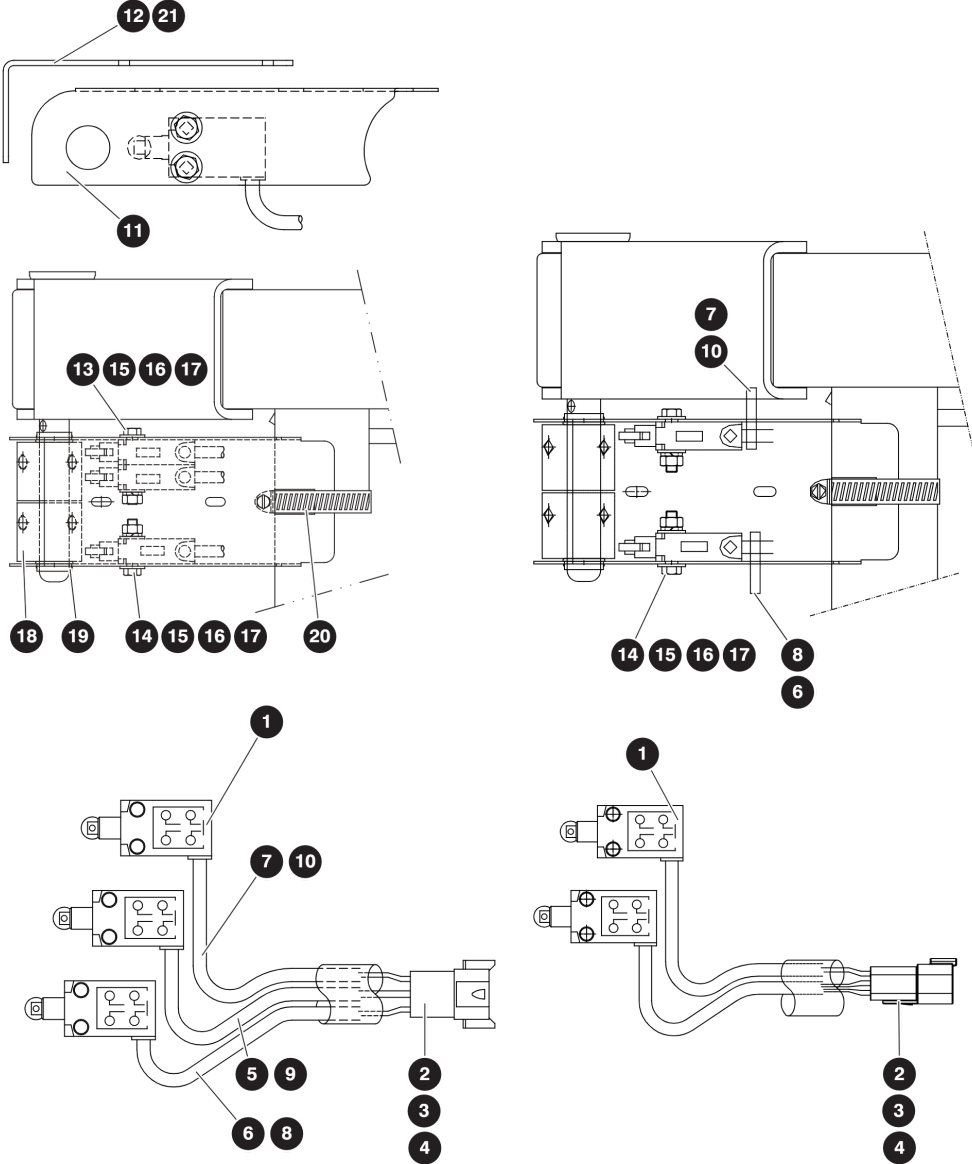


Center Pin Assembly



2.5 Scissor Stack Assembly - Connecting Hardware

Index No.	Skyjack Part No.	Qty.	Description
1	121674	4	PIN, Outside scissor
2	123430	2	BUSHING, Fiberglide (3/4" inner diameter x 1.5")
3	121874	1	PIN, Cotter (1/4" x 1.5")
4	121605	1	TUBE, Outside scissor arms cross member (Models 322x)
	121672	1	TUBE, Outside scissor arms cross member (Models 46xx)
5	128250	1	PIN, Inside scissor
6	121677	1	PIN, Limit switch
7	(Ref.)	-	LIMIT SWITCH ASSEMBLY (For components, refer to Section 2.6 Limit Switch Assembly (Scissor Stack))
8	128256	AR	CENTER PIN ASSEMBLY (without cable carrier weldment)
	130385	AR	CENTER PIN ASSEMBLY (with cable carrier weldment)
9	120673	1	• PIN, Center
10	101520	1	• WASHER, Nylon (1.28 I.D. x 2 O.D. x 0.12)
11	123431	4	• BUSHING, Fiberglide (1.25" x 1.8125")
12	121703	1	• SPACER, Bearing thrust fiberglide (1.25 inner diameter)
13	122502	1	• WASHER, Flat (1.25" I.D. x 2.25" O.D.) (without cable carrier weldment)
14	121875	1	• PIN, Cotter (5/16" diameter x 2")



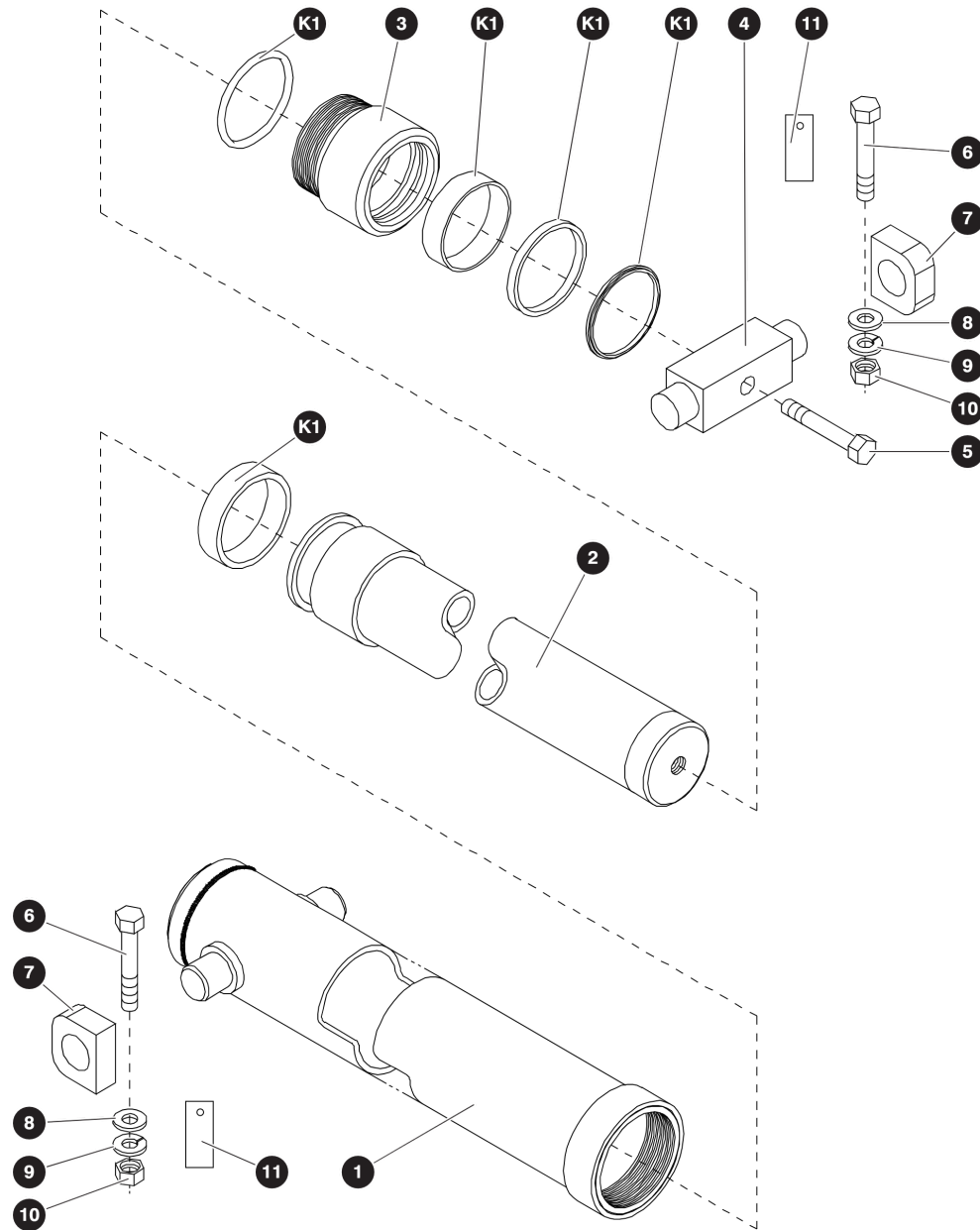
M130167AD_M204106AA

SJIII 3220 SJIII 3226 SJIII 4620 SJIII 4626 SJIII 4632

2.6 Limit Switch Assembly (Scissor Stack)

Index No.	Skyjack Part No.	Qty.	Description
A	130560	1	HIGH SPEED/POTHOLE LIMIT SWITCH ASSEMBLY <i>(For model SJIII 3220 with serial number 60007077 & Below)</i> <i>(For model SJIII 3226 with serial number 27032454 & Below)</i> <i>(For model SJIII 46xx with serial number 70032133 & Below)</i>
B	204106	1	HIGH SPEED/POTHOLE LIMIT SWITCH ASSEMBLY <i>(For model SJIII 3220 with serial number 60007078 & Above)</i> <i>(For model SJIII 3220 with serial number 60007078 & Above)</i> <i>(For model SJIII 46xx with serial number 70032134 & Above)</i>
-	130559	1	• HIGH SPEED/POTHOLE LIMIT SWITCH ASSEMBLY, A
	204110	1	• HIGH SPEED/POTHOLE LIMIT SWITCH ASSEMBLY, B
1	121975	3	• • SWITCH, Drilled sealed limit, A
	199485	2	• • SWITCH, Drilled sealed limit, B
2	117582	1	• • CONNECTOR, Receptacle - 8 pin, A
	204108	1	• • CONNECTOR, Receptacle - 6 pin, B
3	117584	1	• • CONNECTOR, Receptacle Wedge - 8 pin, A
	204107	1	• • CONNECTOR, Receptacle Wedge - 6 pin, B
4	117590	8	• • CONNECTOR, Contact pin - 16-18, A
	117590	6	• • CONNECTOR, Contact pin - 16-18, B
5	113018	1	• • MARKER, Brady wire - #18, A
6	113021	1	• • MARKER, Brady wire - #21
7	113071	1	• • MARKER, Brady wire - #71
8	145963	1	• • LABEL, LS1A
9	145964	1	• • LABEL, LS1B, A
10	145965	1	• • LABEL, LS6
11	121867	1	• BRACKET, Limit switch
12	121868	1	• GUARD, Limit switch
13	103860	2	• BOLT, Hex head - 1/4"-20 x 1.75", Gr. 5, A
14	103858	2	• BOLT, Hex head - 1/4"-20 x 1.25", Gr. 5, A
	103858	4	• BOLT, Hex head - 1/4"-20 x 1.25", Gr. 5, B
15	104000	4	• WASHER, Lock - 1/4", NOM x 0.06"
16	103995	8	• WASHER, Flat - 1/4" SAE
17	103980	4	• NUT, Hex head - 1/4"- 20, Grade B
18	100967	2	CAM, Limit switch
19	121908	2	BUSHING, Snap-in - 3/4" ID
20	121869	1	CLAMP, Gear #40 - 2-1/2"
21	125953	1	HARDWARE, Limit switch guard
	104694	4	• WASHER, Flat - #10
	104185	2	• WASHER, Lock - #10
	104003	2	• NUT, Hex machine - #10
	120094	2	• BOLT, Hex Head machine - #10-32 x 5/8"

2.7 Lift Cylinder and Mounting Hardware



M11303AA

SJIII 3220 SJIII 3226 SJIII 4620 SJIII 4626 SJIII 4632

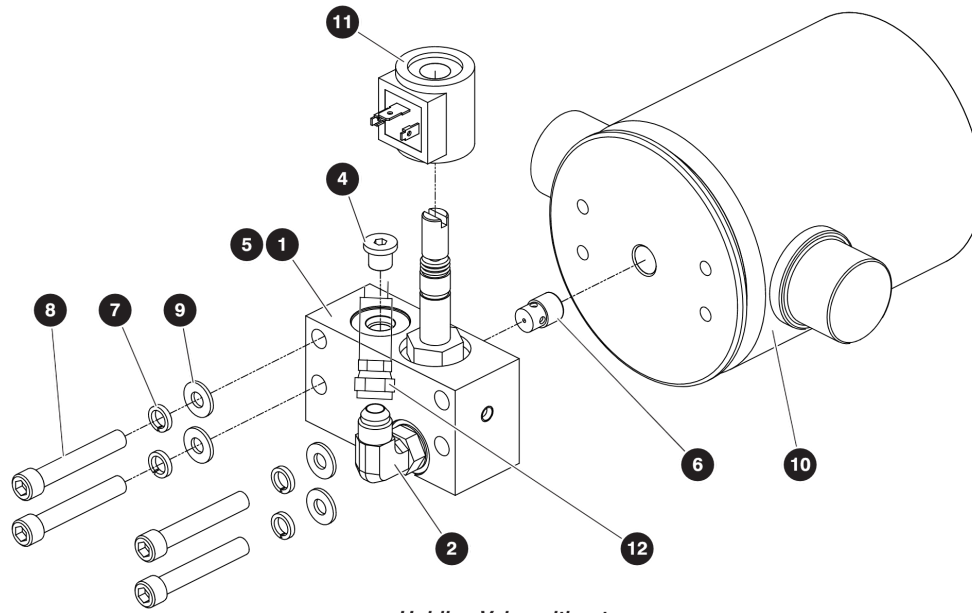
SKYJACK

165974AL

61

2.7 Lift Cylinder and Mounting Hardware

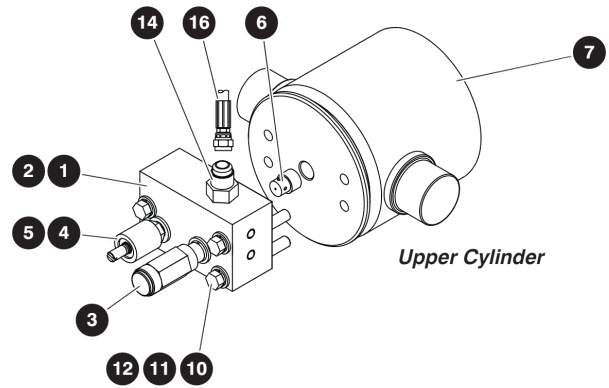
Index No.	Skyjack Part No.	Qty.	Description
-	162795	-	LIFT CYLINDER ASSEMBLY
1	162800	1	• WELDMENT, Barrel
2	160720	1	• ROD, Piston
3	162803	1	• GLAND, Front head <i>(For model SJIII 3220 with serial number 60004649 & Below)</i> <i>(For model SJIII 3226 with serial number 27020547 & Below)</i> <i>(For model SJIII 46xx with serial number 70020395 & Below)</i>
	168513	1	• GLAND, Front head <i>(For model SJIII 3220 with serial number 60004650 & Above)</i> <i>(For model SJIII 3226 with serial number 27020548 & Above)</i> <i>(For model SJIII 46xx with serial number 70020396 & Above)</i>
4	121668	1	• TRUNNION
5	105686	1	• BOLT (3/4"-16 x 3", Gr. 5)
6	103869	4	BOLT, Hex head (5/16"-18 x 4.5", Gr. 5)
7	123808	4	BEARING BLOCK ASSEMBLY
	101076	1	• BLOCK
	100904	1	• BUSHING
8	103996	4	WASHER, Flat (5/16" SAE)
9	103404	4	WASHER, Lock (5/16" NOM x 0.07)
10	100397	4	NUT, Hex head (5/16"-18, Gr. 5)
11	130337	AR	SHIM, Bearing block (16 GA) (If equipped)
	130387	AR	SHIM, Bearing block (18 GA) (If equipped)
	130388	AR	SHIM, Bearing block (22 GA) (If equipped)
K1	121097	1	KIT, Seal repair



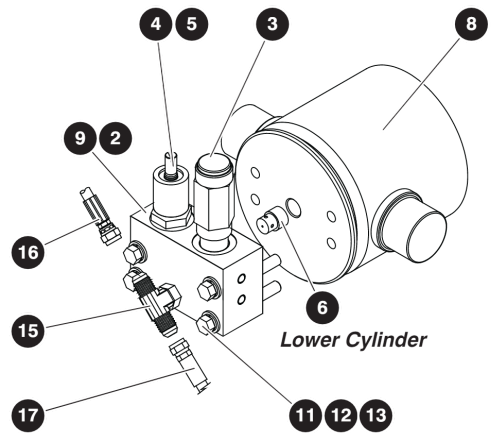
*Holding Valve without
Pressure Switch*

2.8 Holding Valve Assembly (Model 3220/4620)

Index No.	Skyjack Part No.	Qty.	Description
-	167609	-	LIFT CYLINDER ASSEMBLY
1	130480	1	• HOLDING VALVE BLOCK ASSEMBLY
	130481	1	• • BLOCK, Manifold
	108052	1	• • PLUG, Expander
2	114578	1	• FITTING, Elbow - 06 JICM - 04 ORBM
3	107269	1	• VALVE, Holding - N.C.
4	121250	1	• FITTING, Plug - 04 ORBM
5	103403	1	SEAL, O-ring
6	105281	1	ORIFICE, One Way - 0.067" DIA
7	104637	4	WASHER, Lock-High Collar - 5/16"
8	103931	4	BOLT, SHCS - 5/16"-18 x 2", Gr. 5
9	103996	4	WASHER, Flat - 5/16"
10	(Ref.)	-	LIFT CYLINDER ASSEMBLY (For components, refer to Section 2.7 Lift Cylinder and Mounting Hardware)
11	104493	1	COIL, 24 Volt
12	104657	1	HOSE ASSEMBLY, Manifold to lift cylinder



Upper Cylinder



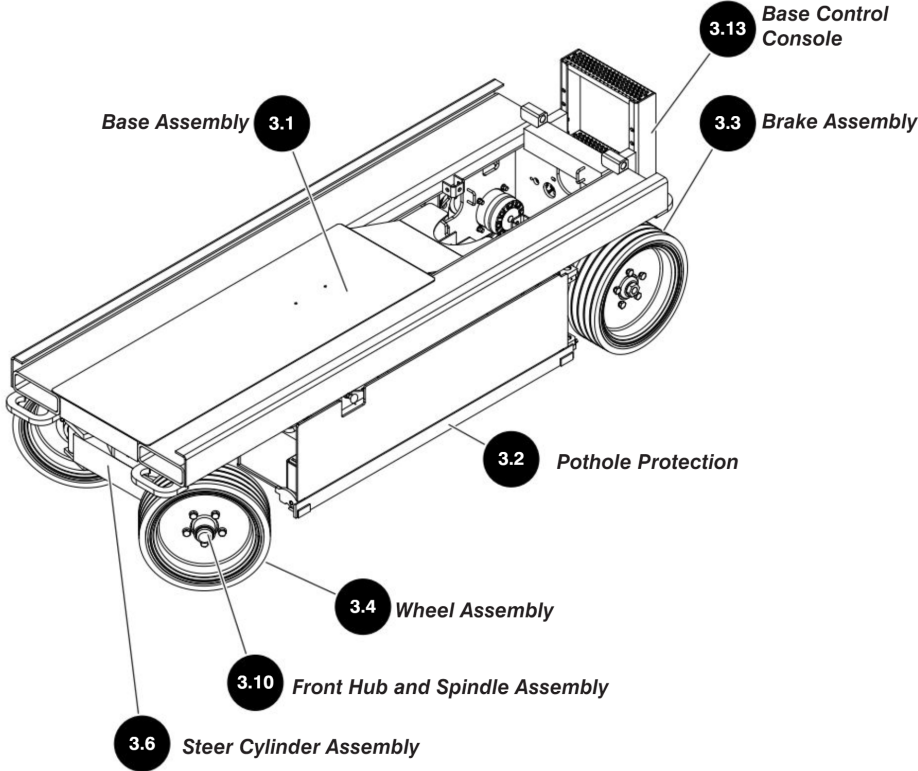
Lower Cylinder

Holding Valve without Pressure Switch

2.9 Holding Valve Assembly (Model 3226/4626/4632)

Index No.	Skyjack Part No.	Qty.	Description
1	108778	1	BLOCK, Upper holding valve
	212915	1	• BLOCK, Manifold
	108052	1	• PLUG, Expander
2	103403	2	SEAL, O-ring
3	106557	2	VALVE, Relief
4	107269	2	VALVE, Holding (N.C.)
5	104493	2	COIL, 24 Volt
6	105281	2	ORIFICE, One way
7	(Ref.)	-	LIFT CYLINDER ASSEMBLY (Upper cylinder) (For components, refer to Section 2.7 Lift Cylinder and Mounting Hardware)
8	(Ref.)	-	LIFT CYLINDER ASSEMBLY (Lower cylinder) (For components, refer to Section 2.7 Lift Cylinder and Mounting Hardware)
9	106688	1	BLOCK, Lower holding valve
	111316	1	• BLOCK, Manifold
	108052	2	• PLUG, Expander
10	108429	4	BOLT, Hex head (5/16"-18 x 2.5")
11	103996	8	WASHER, Flat (5/16" SAE)
12	104637	8	WASHER, Lock (5/16" x 0.09)
13	103931	4	BOLT, Socket (5/16"-18 x 2", Gr. 5)
14	103069	1	FITTING, Straight (06 JICM - 06 ORBM) (Upper lift cylinder)
15	114579	1	FITTING, Tee (06 JICM - 06 JICM - 06 ORBM)
16	102635	1	HOSE ASSEMBLY (Upper lift cylinder to lower lift cylinder)
17	104657	1	HOSE ASSEMBLY (Lower lift cylinder to main manifold)

Section 3 – Base Related Parts



3.5 Tie Rod Assembly

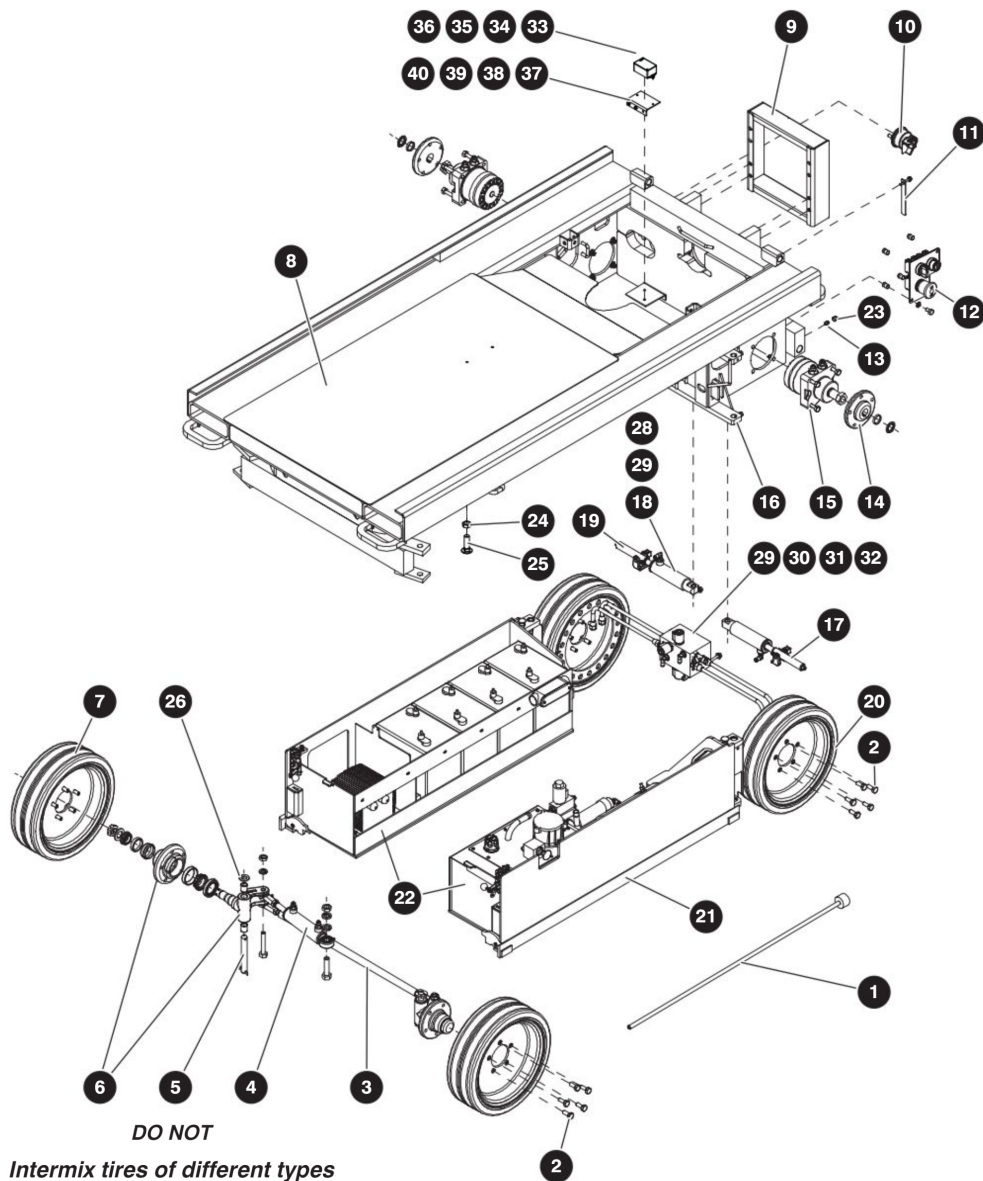
3.7 Pin Brake Cylinder Assembly

3.8 Rear Drive Manifold Assembly

3.9 Brake Release Manifold Assembly (Models 46xx)

3.11 Hydraulic Hose Connections - Pin Brake

3.12 Hydraulic Hose - Disc Brake (Models 46xx)



DO NOT
 Intermix tires of different types
 on one machine. Use only tires
 of type originally supplied.

M11107AI

SJIII 3220 SJIII 3226 SJIII 4620 SJIII 4626 SJIII 4632

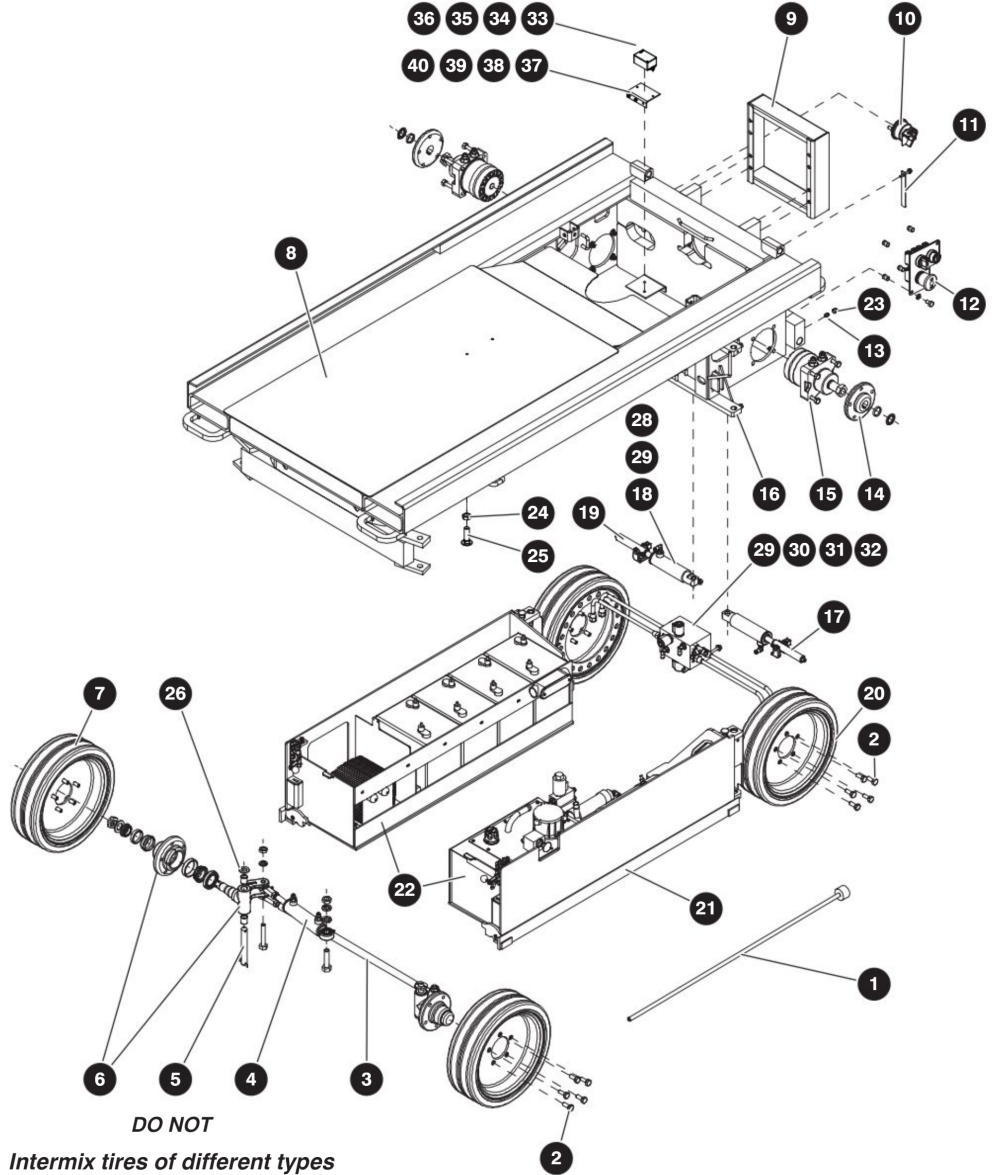
SKYJACK

165974AL

Index No.	Skyjack Part No.	Qty.	Description
1	132769	1	BAR ASSEMBLY (Emergency lowering)
	132477	1	• BAR, Emergency lowering access
	119920	2	• CLIP, Spring coated
	103964	2	• BOLT, Machine - #10-32 x 1/4"
	124160	2	• PIN, Locking
2	103199	20	BOLT, Wheel
3	(Ref.)	-	TIE ROD ASSEMBLY (For components, refer to Section 3.5 Tie Rod Assembly)
4	(Ref.)	-	STEER CYLINDER ASSEMBLY (For components, refer to Section 3.6 Steer Cylinder Assembly)
5	125730	2	KING PIN ASSEMBLY
	100120	1	• PIN, Axle king
	100825	1	• PIN - 1/4" x 3/16"
	103478	1	• PIN, Cotter - 1/4" x 1-1/4"
	104129	1	• WASHER, Bronze
6	(Ref.)	-	FRONT AXLE HUB & SPINDLE ASSEMBLY (For components, refer to Section 3.10 Front Hub and Spindle Assembly)
7	(Ref.)	-	WHEEL ASSEMBLY (Front) (For components, refer to Section 3.4 Wheel Assembly)
8	155926	1	WELDMENT, Base (Model SJIII 3220)
	155925	1	WELDMENT, Base (Model SJIII 3220 with powered extension platform)
	155925	1	WELDMENT, Base (Model SJIII 3226)
	158981	1	WELDMENT, Base (Model SJIII 46xx) (For model SJIII 46xx with serial number 70032758 & Below)
	198743	1	WELDMENT, Base (Model SJIII 46xx) (For model SJIII 46xx with serial number 70032759 & Above)
9	130192	1	LADDER (Model SJIII 3220/4620)
	151961	1	LADDER (Model SJIII 3226/4626/4632)
	103999	4	WASHER, Lock - 3/8"
	103472	4	WASHER, Flat - 3/8"
	103473	4	BOLT, Hex head - 3/8"-16 x 1", Gr. 5
10	119725	1	SWITCH, Main power disconnect
	108714	1	LEVER, Main disconnect switch
11	115005	1	STATIC STRAP ASSEMBLY
	115420	1	• STRAP, Ground
	101297	1	• BOLT, Hex head - 3/8"-16 x 1-1/4" Gr. 5
	103999	1	• WASHER, Lock - 3/8" NOM
	103978	1	• NUT, Hex head - 3/8"-16
12	(Ref.)	-	BASE CONTROL CONSOLE ASSEMBLY (For components, refer to Section 3.13 Base Control Console)
13	102027	2	FITTING, Grease
14	(Ref.)	-	REAR AXLE HUB ASSEMBLY (For components, refer to Section 3.3 Brake Assembly)
15	(Ref.)	-	MOTOR, Wheel drive (For components, refer to Section 3.3 Brake Assembly)
16	141751	4	SET SCREW, Square head, cup point (3/8"-16 x 3/4", Gr. 5)

3.1 Base Assembly

AI



DO NOT
*Intermix tires of different types
on one machine. Use only tires
of type originally supplied.*

M11107AI

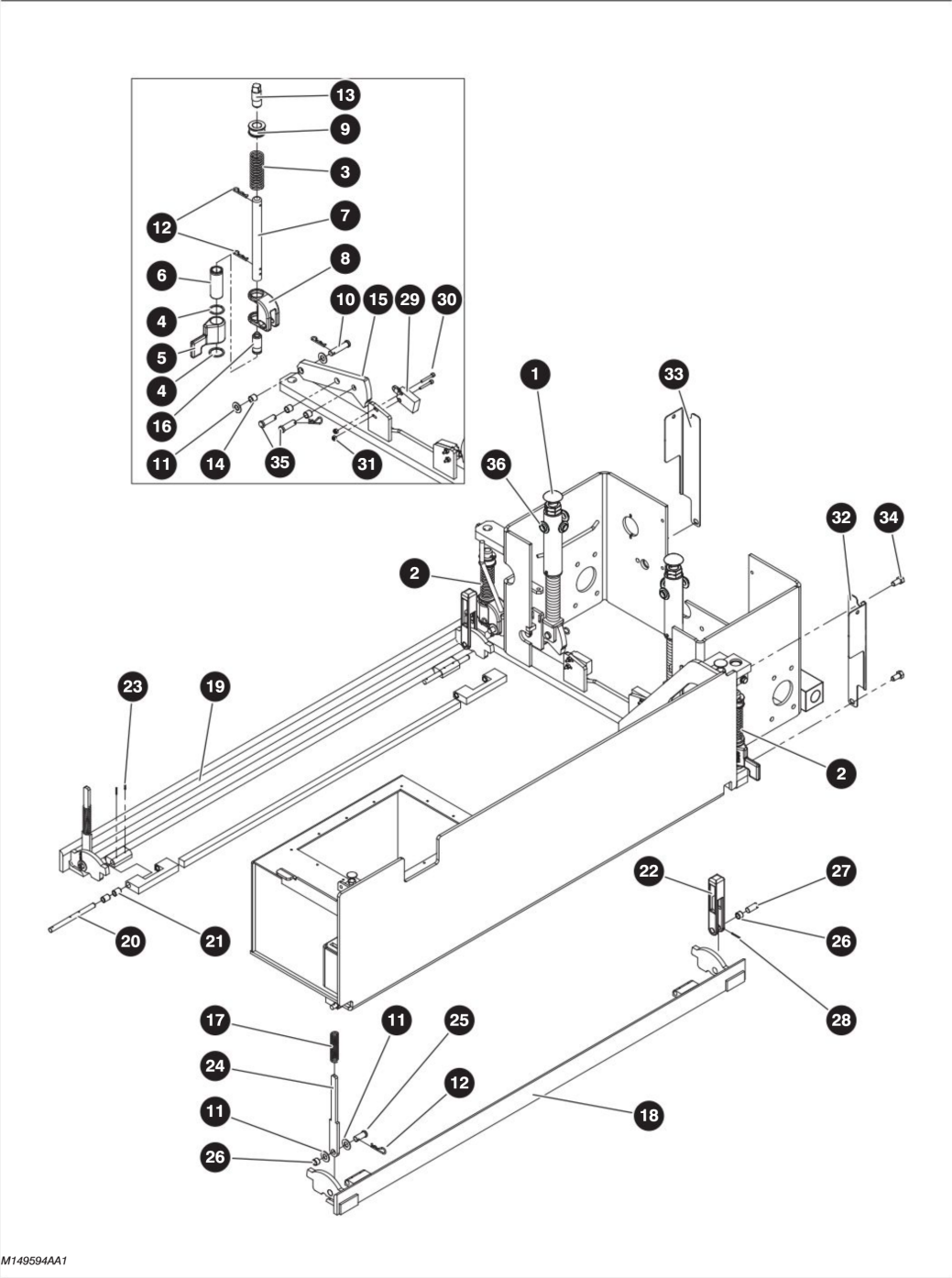
SJIII 3220 SJIII 3226 SJIII 4620 SJIII 4626 SJIII 4632

165974AL

Index No.	Skyjack Part No.	Qty.	Description
17	124228	1	WELDMENT, Brake pin (Left hand)
	159801	1	• BOLT, Socket head (zinc, 1/4"-20 x 1.25")
	104000	1	• WASHER, Lock (1/4")
	103983	1	• NUT, Jam (1/4"-20)
18	(Ref.)	-	PIN BRAKE CYLINDER ASSEMBLY (For components, refer to Section 3.7 Pin Brake Cylinder Assembly)
19	124229	1	WELDMENT, Brake pin (Right hand)
	159801	1	• BOLT, Socket head (zinc, 1/4"-20 x 1.25")
	104000	1	• WASHER, Lock (1/4")
	103983	1	• NUT, Jam (1/4"-20)
20	(Ref.)	-	REAR WHEEL ASSEMBLY (For components, refer to Section 3.4 Wheel Assembly)
21	(Ref.)	-	POTHOLE PROTECTION DEVICE ASSEMBLY (For components, refer to Section 3.2 Pothole Protection Device)
22	(Ref.)	-	BATTERY TRAY ASSEMBLY (For components, refer to Section 5.1 Battery Tray Assembly)
	(Ref.)	-	HYDRAULIC/ELECTRIC TRAY ASSEMBLY (For components, refer to Section 4.1 Hydraulic/Electrical Tray Assembly)
23	132565	2	CAP, Grease (GC5)
24	125798	2	BOLT, Carriage (1/2"-13 x 1.50" Gr 5)
25	107949	2	NUT, Hex Hd (1/2"-13)
26	104129	2	WASHER, Thrust 1-3/8" O.D. x 3/4" I.D. x 1/8"
27	103897	2	BOLT, Hex Hd - 5/8"-11 x 2" Gr. 5
28	103982	2	NUT, Hex Hd Jam - 5/8"-11 Gr. 5
29	(Ref.)	-	REAR MANIFOLD ASSEMBLY (For components, refer to Section 3.8 Rear Drive Manifold Assembly)
30	103874	2	BOLT, Hex Hd - 3/8"-16 x 2-3/4" Gr. 5
31	103472	2	WASHER, Flat - 3/8"
32	103999	2	WASHER, Lock - 3/8"
-	-	-	ASSEMBLY, TILT SWITCH AND BRACKET
33	171560	1	• SWITCH, Tilt (Models 322x)
	171561	1	• SWITCH, Tilt (Model SJIII 46xx)
34	104000	2	• WASHER, Lock - 1/4"
35	103980	2	• NUT, Hex - 1/4"-20 Gr. 5 Plt
36	103857	2	• BOLT, HHCS - 1/4"-20 x 1" Gr. 5 Plt
37	161024	1	• PLATE, Mount - Tilt Switch (if equipped)
38	104003	2	• NUT, Machined - #10-32 Gr. B
39	120094	2	• SCREW, Round Hd Machine - #10-32 x 5/8"
40	104185	2	• WASHER, Lock - #10

3.2 Pothole Protection Device

AH



M149594AA1

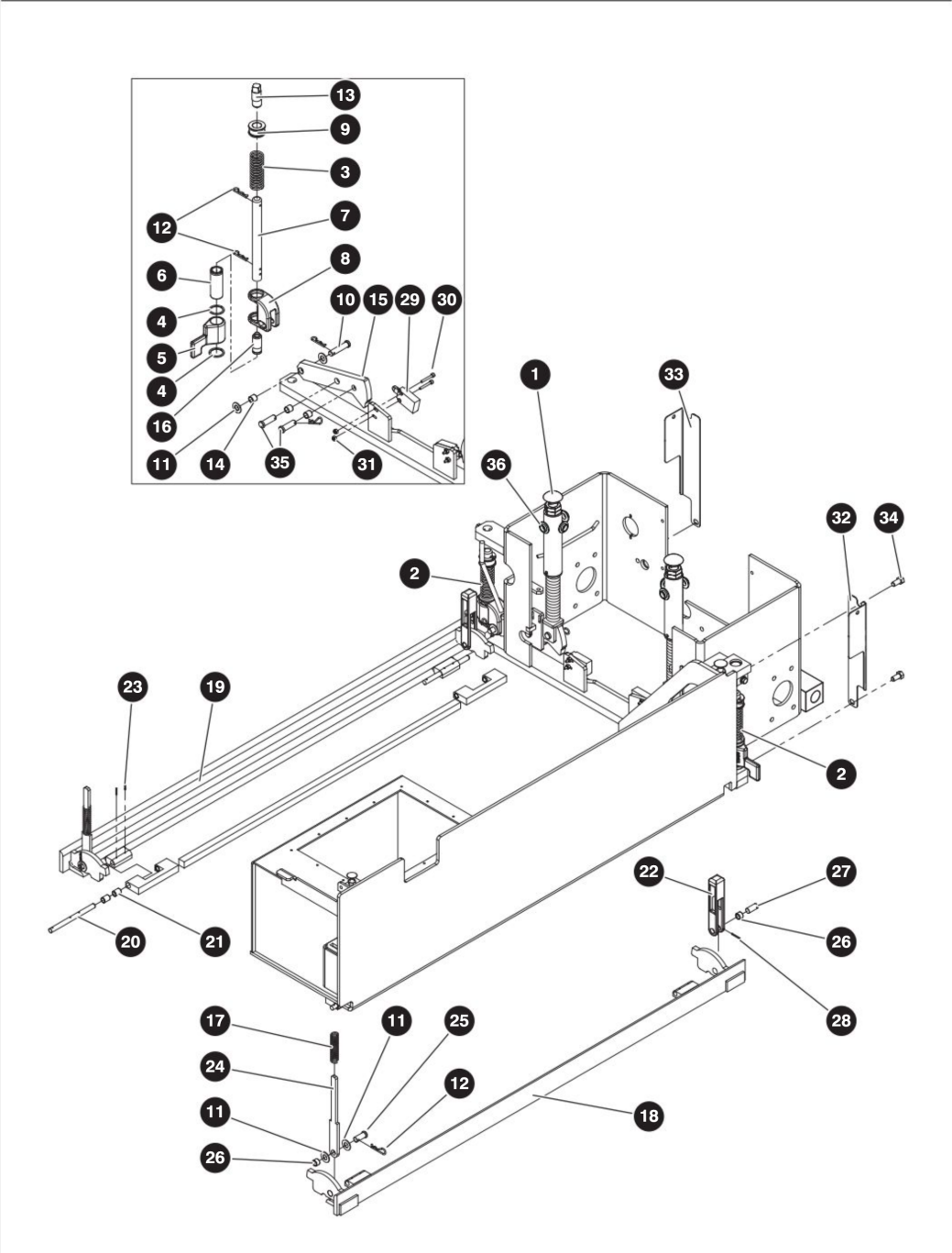
SJIII 3220 SJIII 3226 SJIII 4620 SJIII 4626 SJIII 4632

165974AL

Index No.	Skyjack Part No.	Qty.	Description
1	136417	1	COMPRESSION ROD ASSEMBLY
2	125776	2	CAM LOCK ASSEMBLY
3	119314	2	• SPRING, Cam lock
4	119728	4	• WASHER, Driver
5	119499	2	• LOCK, Cam
6	118778	2	• BUSHING, Cam lock
7	118730	2	• PIN, Lever Bar guide
8	118718	2	• DRIVER, Lock
	119843	2	• PIN, Spring (3/32" x 1.375")
9	118729	2	• PIN, Locator
10	132530	2	PIN, Tray spring guide
11	119313	8	WASHER, Flat (7/16")
12	119325	8	PIN, Cotter
13	(Ref.)	2	PIN, Eccentric (For components, refer to Section 4.1 Hydraulic/Electrical Tray Assembly) (For components, refer to Section 5.1 Battery Tray Assembly)
14	119312	6	BUSHING (7/16" x 1/2")
15	147903	2	BAR, Lever
16	(Ref.)	2	PIN, Lower tray (For components, refer to Section 4.1 Hydraulic/Electrical Tray Assembly) (For components, refer to Section 5.1 Battery Tray Assembly)
17	119321	2	SPRING, Kicker
18	126709	1	WELDMENT, Hydraulic tray angle
19	126710	1	WELDMENT, Battery tray angle
20	119339	4	PIN, Angle
21	119316	16	BUSHING (3/8" x 5/8")
22	119029	2	LOCK, Tray cam
23	119319	8	PIN, Spring (3/32" x 5/8")
24	119322	2	PLATE, Kicker
25	118689	2	PIN, Kicker clevis
26	119318	4	BUSHING (7/16" x 3/8")
27	118690	2	PIN, Lock
28	119315	2	PIN, Spring (3/32" x 7/8")

3.2 Pothole Protection Device

AH



M149594AA1

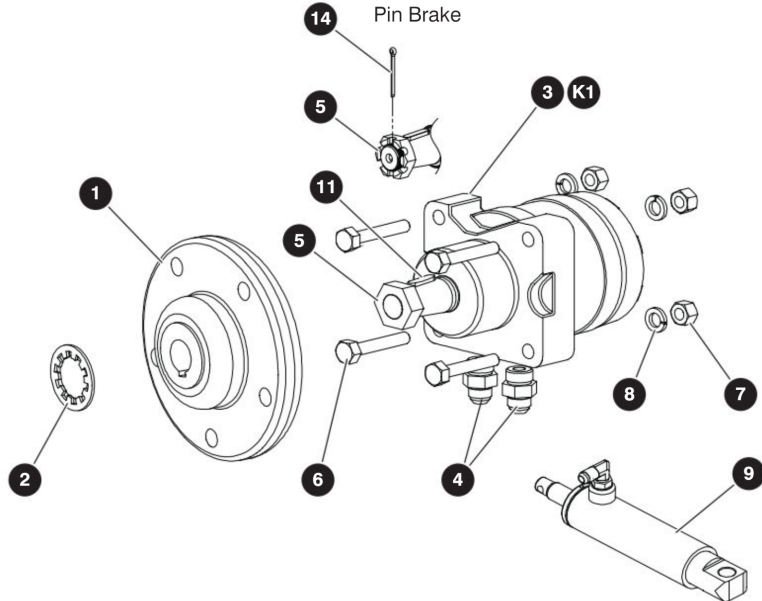
SJIII 3220 SJIII 3226 SJIII 4620 SJIII 4626 SJIII 4632

165974AL

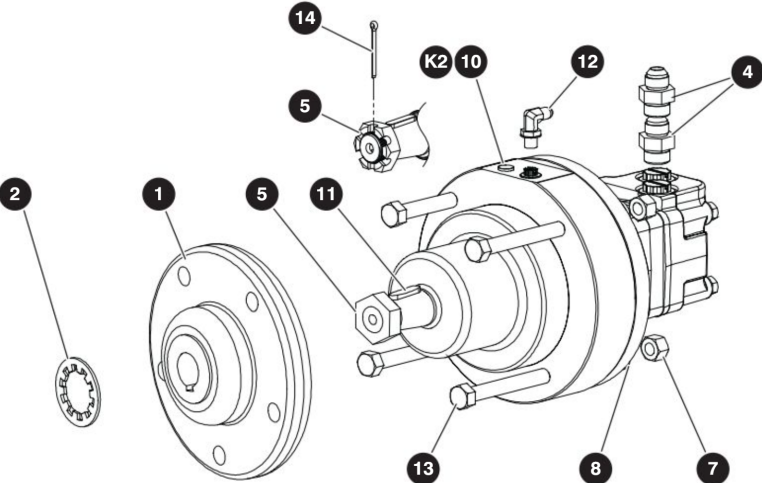
3.2 Pothole Protection Device

Index No.	Skyjack Part No.	Qty.	Description	
29	-	1	POTHOLE DEVICE LIMIT SWITCH ASSEMBLY	
	166007	1	• SWITCH, Limit (Battery tray) (For model SJIII 3220 with serial number 60007077 & Below) (For model SJIII 3226 with serial number 27032454 & Below) (For model SJIII 46xx with serial number 70032133 & Below)	
		1	• SWITCH, Limit (Battery tray) (For model SJIII 3220 with serial number 60007078 & Above) (For model SJIII 3226 with serial number 27032455 & Above) (For model SJIII 46xx with serial number 70032134 & Above)	
		1	• SWITCH, Limit (Hydraulic tray) (For model SJIII 3220 with serial number 60007077 & Below) (For model SJIII 3226 with serial number 27032454 & Below) (For model SJIII 46xx with serial number 70032133 & Below)	
	199745	1	• SWITCH, Limit (Battery tray) (For model SJIII 3220 with serial number 60007078 & Above) (For model SJIII 3226 with serial number 27032455 & Above) (For model SJIII 46xx with serial number 70032134 & Above)	
		1	• SWITCH, Limit (Hydraulic tray) (For model SJIII 3220 with serial number 60007077 & Below) (For model SJIII 3226 with serial number 27032454 & Below) (For model SJIII 46xx with serial number 70032133 & Below)	
		1	• SWITCH, Limit (Hydraulic tray) (For model SJIII 3220 with serial number 60007078 & Above) (For model SJIII 3226 with serial number 27032455 & Above) (For model SJIII 46xx with serial number 70032134 & Above)	
	-	-	1	POTHOLE DEVICE LIMIT SWITCH ASSEMBLY (ANSI/CSA EE rated)
		126051	1	• SWITCH, Limit (Battery tray) (For model SJIII 3220 with serial number 60007077 & Below) (For model SJIII 3226 with serial number 27032454 & Below) (For model SJIII 46xx with serial number 70032133 & Below)
			1	• SWITCH, Limit (Battery tray) (For model SJIII 3220 with serial number 60007078 & Above) (For model SJIII 3226 with serial number 27032455 & Above) (For model SJIII 46xx with serial number 70032134 & Above)
			1	• SWITCH, Limit (Hydraulic tray) (For model SJIII 3220 with serial number 60007077 & Below) (For model SJIII 3226 with serial number 27032454 & Below) (For model SJIII 46xx with serial number 70032133 & Below)
		204094	1	• SWITCH, Limit (Hydraulic tray) (For model SJIII 3220 with serial number 60007078 & Above) (For model SJIII 3226 with serial number 27032455 & Above) (For model SJIII 46xx with serial number 70032134 & Above)
1			• SWITCH, Limit (Battery tray) (For model SJIII 3220 with serial number 60007077 & Below) (For model SJIII 3226 with serial number 27032454 & Below) (For model SJIII 46xx with serial number 70032133 & Below)	
1	• SWITCH, Limit (Hydraulic tray) (For model SJIII 3220 with serial number 60007078 & Above) (For model SJIII 3226 with serial number 27032455 & Above) (For model SJIII 46xx with serial number 70032134 & Above)			
30	149581	4	SOCKET HEAD CAP SCREW (#8-32 x 1.25")	
	31	138765	4	NUT, Hex nylon lock (#8-32, Gr. 5)
		103550	6	PLUG, Slider
32	130049	1	FLAP WELDMENT, Hydraulic tray	
33	130047	1	FLAP WELDMENT, Battery tray	
34	-	-	HARDWARE, Flap weldment retaining	
	104000	4	• WASHER, Lock (1/4")	
	103995	4	• WASHER, Flat (1/4")	
	103855	4	• BOLT, Hex head (1/4"-20 x 1/2")	
35	130209	4	PIN, Lever	
36	103550	6	BUSHING, Handrail Slide	

3.3 Brake Assembly



Disc Brake (Models SJIII 46xx)

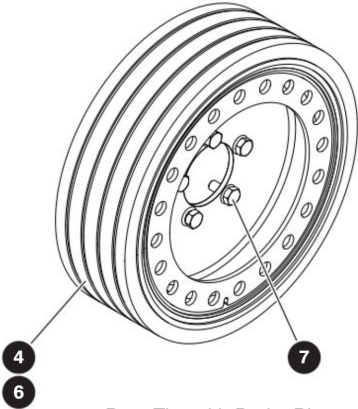
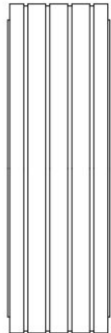
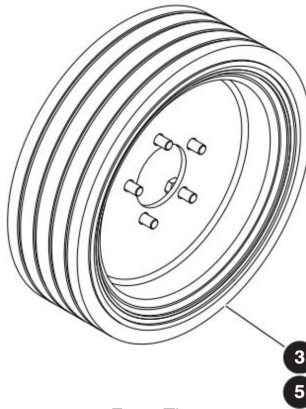
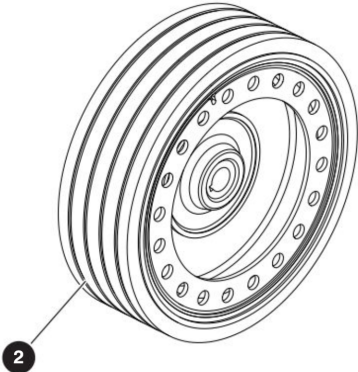
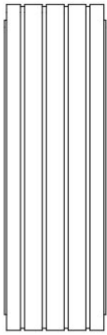
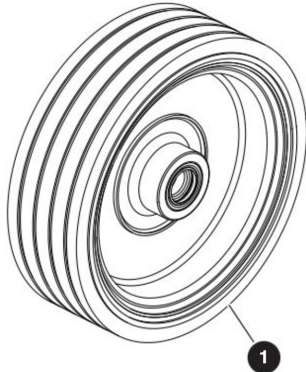


M10211AC_M120220AA_M11543AB

SJIII 3220 SJIII 3226 SJIII 4620 SJIII 4626 SJIII 4632

165974AL

Index No.	Skyjack Part No.	Qty.	Description
A	-	-	BRAKES (For model SJIII 3220 with serial number 60007717 & Below) (For model SJIII 3226 with serial number 27036042 & Below) (For model SJIII 46xx with serial number 70035068 & Below)
B	-	-	BRAKES (For model SJIII 3220 with serial number 60005558 & Above) (For model SJIII 3226 with serial number 27026328 & Above) (For model SJIII 46xx with serial number 70032759 & Above)
1	125795	1	REAR HUB ASSEMBLY (Used on machines without the integrated hub wheel assemblies)
	107912	1	• HUB, Rear (1.25" shaft)
2	103789	1	• WASHER, Lock toothed (1"), A
3	103129	1	MOTOR, Hydraulic wheel drive, A
	194615	1	MOTOR, Hydraulic wheel drive - SJIII 322X, B
	204324	1	MOTOR, Hydraulic wheel drive - SJIII 46XX, B
4	103071	2	FITTING, Straight (08 JICM - 10 ORBM)
5	106451	1	NUT, Hex Jam (1"-14)
	224557	1	NUT, Castle (1"-20)
6	108818	4	BOLT, Hex head (1/2"-13 x 2.75")
7	103471	4	NUT, Hex head (1/2"-13)
8	103470	4	WASHER, Lock (1/2")
9	(Ref.)	-	PIN BRAKE CYLINDER ASSEMBLY (For components, refer to Section 3.7 Pin Brake Cylinder Assembly)
10	134573	1	MOTOR, Wheel (with internal disc brake), A
11	161684	1	• KEY (rounded)
12	125883	1	FITTING, Elbow 90° (04 JICM - 04 ORBM)
13	125525	4	BOLT, Hex head (1/2"-13 x 3.5")
14	103974	1	PIN, Cotter - 1/8" DIA x 1-1/2"
K1	104212	1	KIT, Seal, A
	151099	1	KIT, Seal, B
	199257	1	KIT, Seal, B
K2	139735	1	KIT, Seal



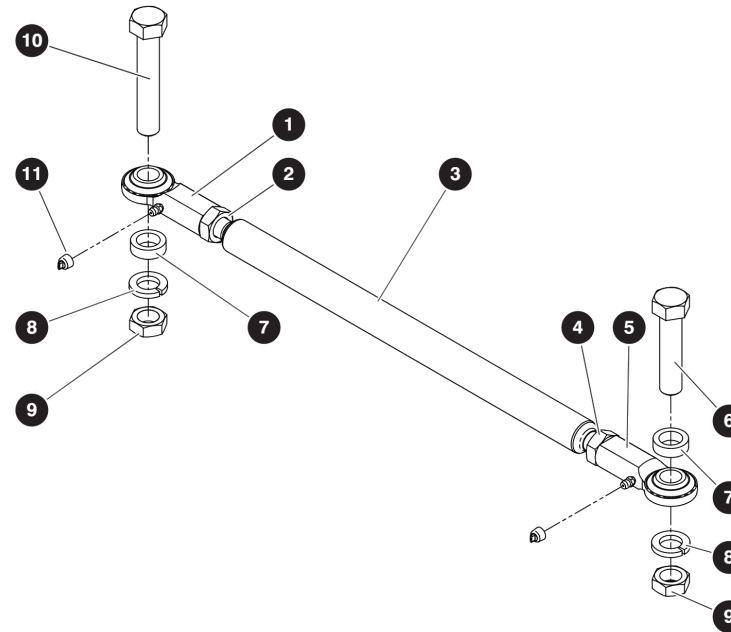
Front Tire

Tread Pattern

Rear Tire with Brake Ring

M125790AC_2_M213763AA

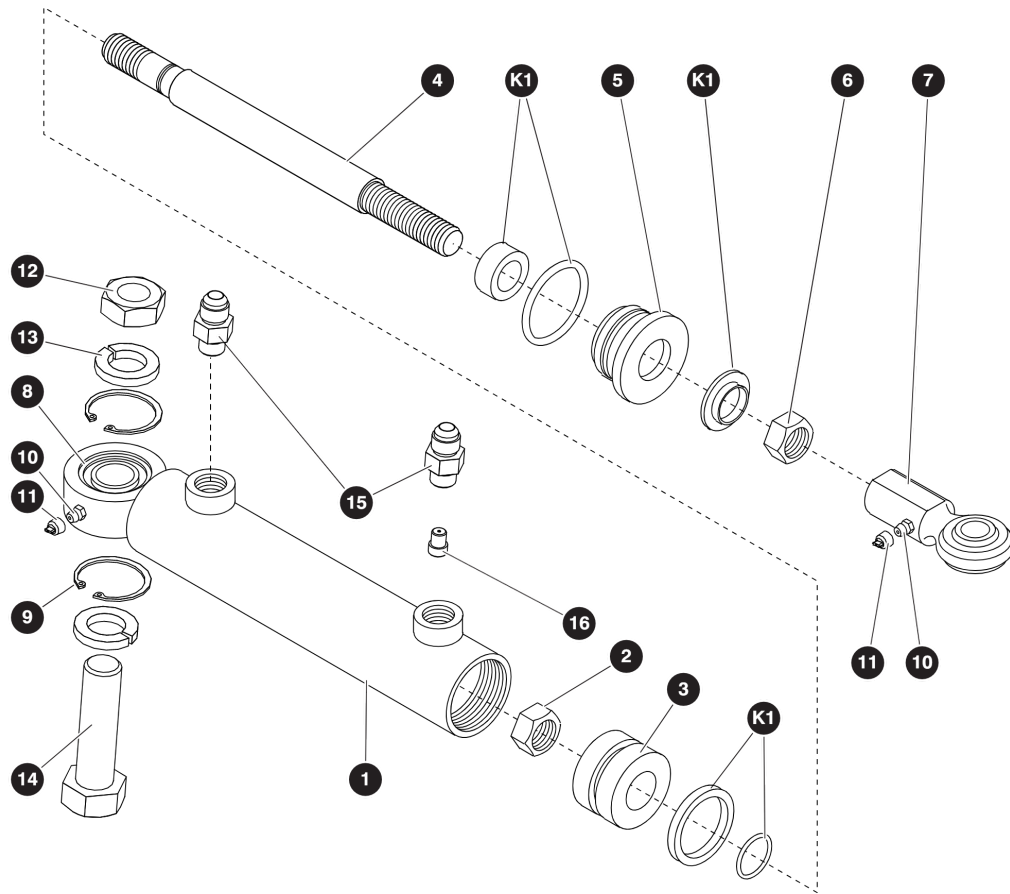
Index No.	Skyjack Part No.	Qty.	Description
1	198594	AR	INTEGRATED HUB, FRONT WHEELS - NON-MARKING (GRAY) (Available for all serial numbers)
2	198601	AR	INTEGRATED HUB, REAR WHEELS - NON-MARKING (GRAY) (Available for all serial numbers)
-	(Ref.)	-	CARLISLE NON-MARKING WHEEL ASSEMBLY (WHITE) (For model SJIII 3220 with serial number 60007717 & Below) (For model SJIII 3226 with serial number 27036042 & Below) (For model SJIII 46xx with serial number 70035068 & Below)
3	132285	AR	• WHEEL ASSEMBLY (White)
4	132284	AR	• WHEEL ASSEMBLY with BRAKE (White)
-	(Ref.)	-	CARLISLE NON-MARKING WHEEL ASSEMBLY (GRAY) (For model SJIII 3220 with serial number 60007717 & Below) (For model SJIII 3226 with serial number 27036042 & Below) (For model SJIII 46xx with serial number 70035068 & Below)
5	161891	AR	• WHEEL ASSEMBLY (Gray)
6	161890	AR	• WHEEL ASSEMBLY with BRAKE (Gray)
7	103199	20	• BOLT, Wheel



M125728AB

Index No.	Skyjack Part No.	Qty.	Description
A	125728	1	TIE ROD ASSEMBLY (Models 322x)
B	130183	1	TIE ROD ASSEMBLY (Models 46xx)
-	125472	1	• ROD, Tie, A
-	130182	1	• ROD, Tie, B
1	115281	1	• END, Female (Left hand thread)
2	100855	1	• NUT, Hex head jam (5/8"-18) (Left hand)
3	125469	1	• BAR, Tie rod, A
	130181	1	• BAR, Tie rod, B
4	100846	1	• NUT, Hex head jam (5/8"-18) (Right hand)
5	100847	1	• END, Female (Right hand thread)
6	125747	1	• BOLT, Hex head (5/8"-11 x 2.75")
7	100856	2	• SPACER
8	103998	2	• WASHER, Lock (5/8")
9	103982	2	• NUT, Hex head (5/8"-11)
10	107797	1	• BOLT, Hex head (5/8"-11 x 3.5")
11	132565	2	• CAP, Grease GC5

3.6 Steer Cylinder Assembly



M125729AB

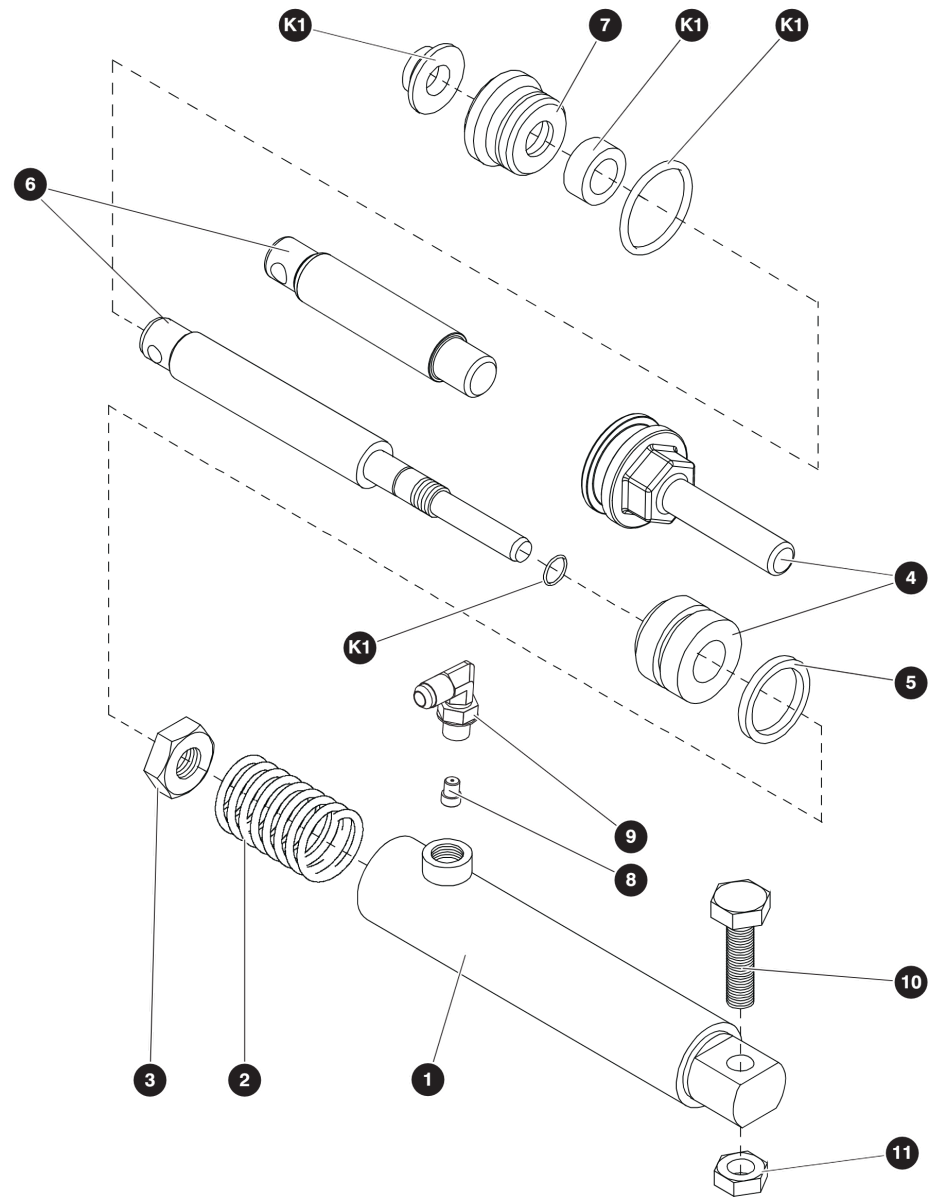
SJIII 3220 SJIII 3226 SJIII 4620 SJIII 4626 SJIII 4632

SKYJACK

165974AL

3.6 Steer Cylinder Assembly

Index No.	Skyjack Part No.	Qty.	Description
-	162715	-	STEER CYLINDER ASSEMBLY
1	162716	1	• BARREL, Steer cylinder
2	103830	1	• NUT, Lock (5/8"-11, Grade C)
3	118844	1	• PISTON
4	117047	1	• ROD, Piston
5	120148	1	• GLAND, Cylinder
6	100846	1	• NUT, Jam (5/8"-18)
7	100847	1	• END, Cylinder rod
8	102025	1	• BEARING, Spherical
9	104114	2	• RING, Retaining
10	103513	1	• FITTING, Grease
11	132565	2	• CAP, Grease fitting
12	100252	1	NUT, Hex head jam (3/4"-10)
13	104002	2	WASHER, Lock (3/4")
14	119310	1	BOLT, Hex head (3/4"-10 X 2.75")
15	103069	2	FITTING, Straight (06 JICM - 06 ORBM)
16	105811	1	ORIFICE (0.040" diameter)
K1	105816	1	KIT, Seal repair



M199922AA

SJIII 3220 SJIII 3226 SJIII 4620 SJIII 4626 SJIII 4632

SKYJACK

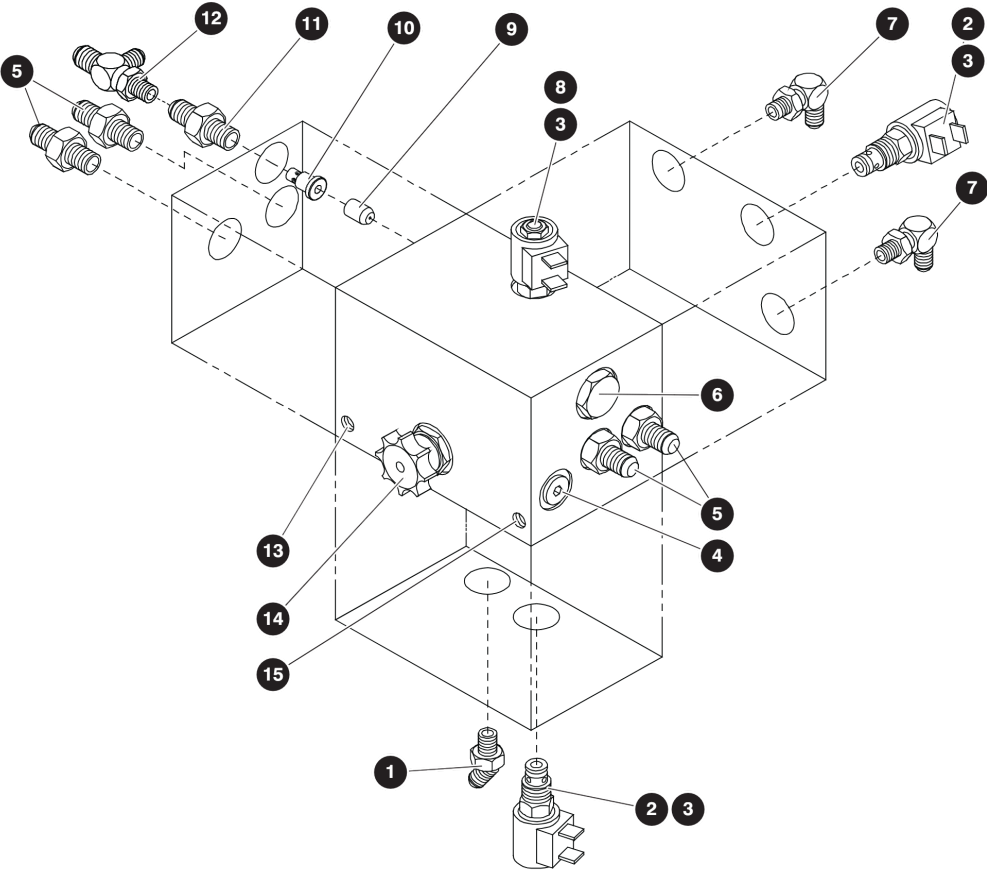
165974AL

3.7 Pin Brake Cylinder Assembly

Index No.	Skyjack Part No.	Qty.	Description
A	120220	-	PIN BRAKE CYLINDER ASSEMBLY
B	199922	-	PIN BRAKE CYLINDER ASSEMBLY
1	120153	1	• BARREL, Brake cylinder
2	102844	1	• SPRING, Brake return
3	103830	1	• NUT, Lock (5/8"-11, Grade C), A
4	121178	1	• PISTON, A
	199923	1	• PISTON, B
5	111295	1	• SEAL, Piston
6	120154	1	• ROD, Brake, A
	199924	1	• ROD, Brake, B
7	120148	1	• GLAND
8	105811	1	• ORIFICE (0.040" diameter)
9	114578	1	• FITTING, Elbow 90° (06 JICM - 06 ORBM)
10	103897	1	BOLT, Hex head (5/8"-11 x 2")
11	103982	1	NUT, Hex head (5/8"-11)
K1	105816	1	KIT, Seal repair

3.8 Rear Drive Manifold Assembly

AH



M11542AA

SJIII 3220 SJIII 3226 SJIII 4620 SJIII 4626 SJIII 4632

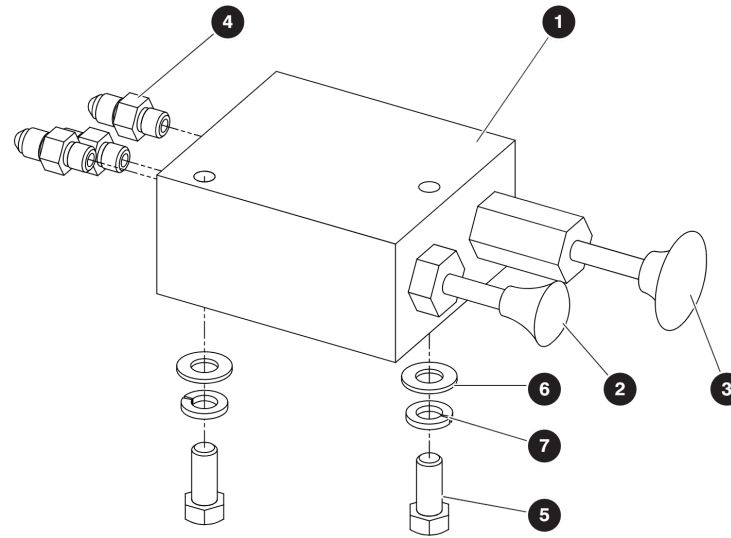
SKYJACK

165974AL

3.8 Rear Drive Manifold Assembly

Index No.	Skyjack Part No.	Qty.	Description
A	108301	-	REAR DRIVE MANIFOLD ASSEMBLY (Pin Break)
B	136531	-	REAR DRIVE MANIFOLD ASSEMBLY (Disc Break)
1	114580	1	• FITTING, Elbow 45° (06 JICM - 06 ORBM)
2	103623	2	• VALVE, N.O. (Speed)
3	103605	3	• COIL (24 volt)
4	104437	1	• PLUG, O-ring
5	104402	4	• FITTING, Straight (08 JICM - 06 ORBM)
6	103354	1	• VALVE, Flow (Divider/Combiner)
7	114578	2	• FITTING, Elbow 90° (06 JICM - 06 ORBM)
8	104132	1	• VALVE, N.C. (Differential)
9	104434	1	• ORIFICE (0.040" diameter)
10	137127	1	• ORIFICE, One way (0.020" diameter), B
11	139223	1	• FITTING, Straight connector (#6 SAE -#4 JIC), B
12	114581	1	• FITTING, Tee (06 JICM - 06 ORBMS - 06 JICM), A
13	108195	1	• BLOCK, Manifold
	108052	8	• • PLUG, Expander
14	103136	1	• VALVE, Free-wheeling
15	103874	2	BOLT, Hex head (3/8"-16 x 2.75")
	126068	2	SPACER, Tube (Model SJIII 3220)
	103999	2	WASHER, Lock (3/8")
	103472	2	WASHER, Flat (3/8" SAE)

3.9 Brake Release Manifold Assembly (Models 46xx)

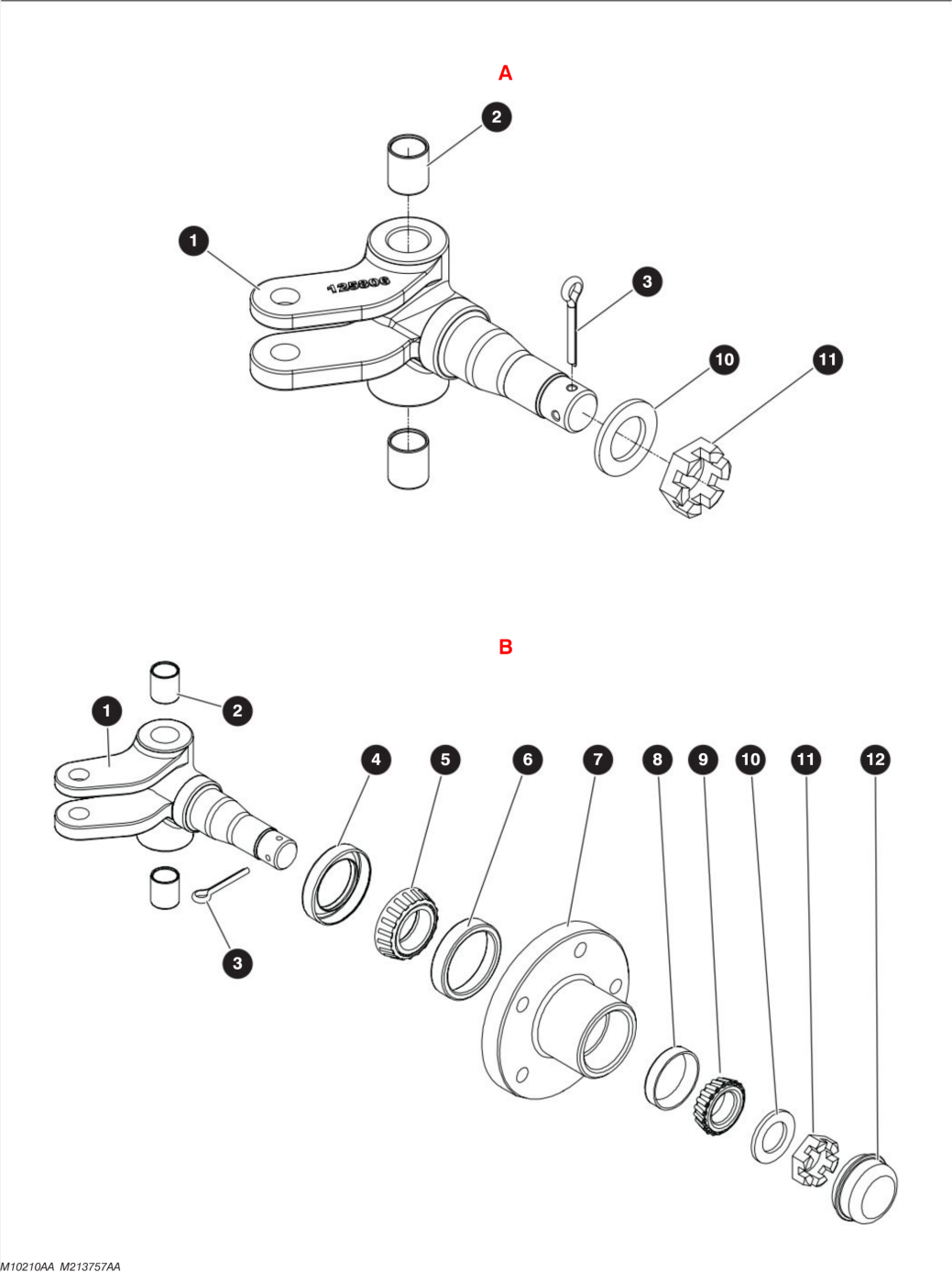


M136543AE

Index No.	Skyjack Part No.	Qty.	Description
-	136543	1	ASSEMBLY, Manifold - Brake Release
-	136540	1	• MANIFOLD, Brake Release
1	146563	1	• • BLOCK, Manifold - Brake Release
2	146561	1	• • ASSEMBLY, Valve
	146562	1	• • • HANDLE, Valve
3	146559	1	• • ASSEMBLY, Pump
	146560	1	• • • HANDLE, Pump
4	701954	3	• • FITTING, Straight (4 JIC)
5	125741	2	• BOLT, Hex head (3/8"-16 x 7/8", Grade 8)
6	103472	2	• WASHER, Flat (3/8")
7	103999	2	• WASHER, Lock (3/8")
K1	146564	1	KIT, Seal (Not Shown)

3.10 Front Hub and Spindle Assembly

AI



M10210AA_M213757AA

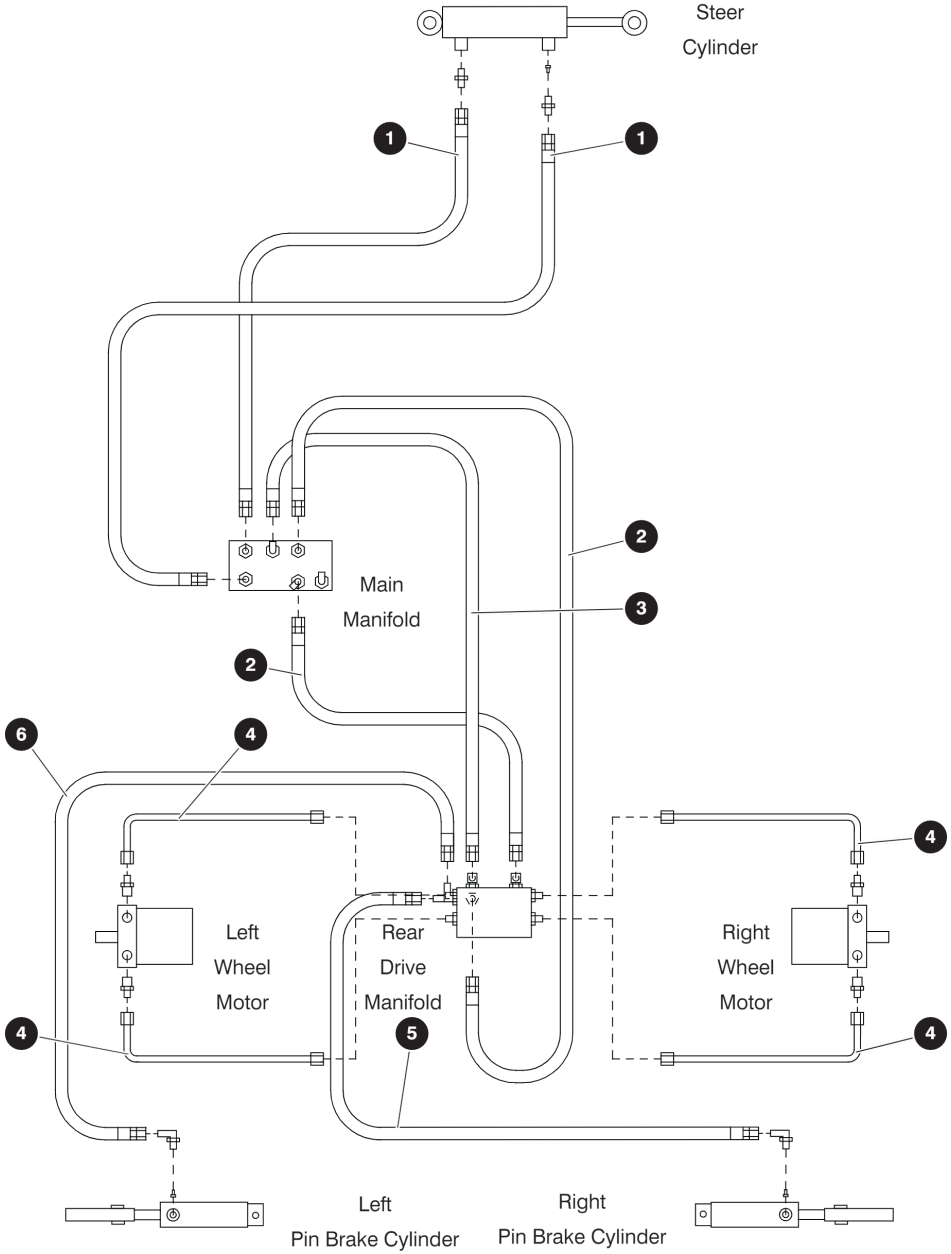
SJIII 3220 SJIII 3226 SJIII 4620 SJIII 4626 SJIII 4632

165974AL

3.10 Front Hub and Spindle Assembly

Index No.	Skyjack Part No.	Qty.	Description
A	213757	-	FRONT SPINDLE ASSEMBLY (Used on machines with the integrated hub wheel assemblies)
B	125792	-	FRONT HUB & SPINDLE ASSEMBLY (Used on machines without the integrated hub wheel assemblies)
1	125806	1	• SPINDLE, Casting
2	100050	2	• BUSHING, Fiberglide
3	103085	1	• PIN, Cotter - 3/16" x 1-1/2"
-	126998	1	• • HUB ASSEMBLY, B
4	103144	1	• • • SEAL, Grease
5	103009	1	• • • BEARING, Inner cone
6	102978	1	• • • BEARING, Inner cup
7	102833	1	• • • HUB, Front (5 bolt)
8	102977	1	• • • BEARING, Outer cup
9	103003	1	• • • BEARING, Outer cone
10	221083	1	• WASHER, 1.074" ID x 1.762" OD x 0.150" - Hard
11	102749	1	• NUT, Castle (1-14)
12	102865	1	• CAP, Dust

3.11 Hydraulic Hose Connections - Pin Brake



M10009AA

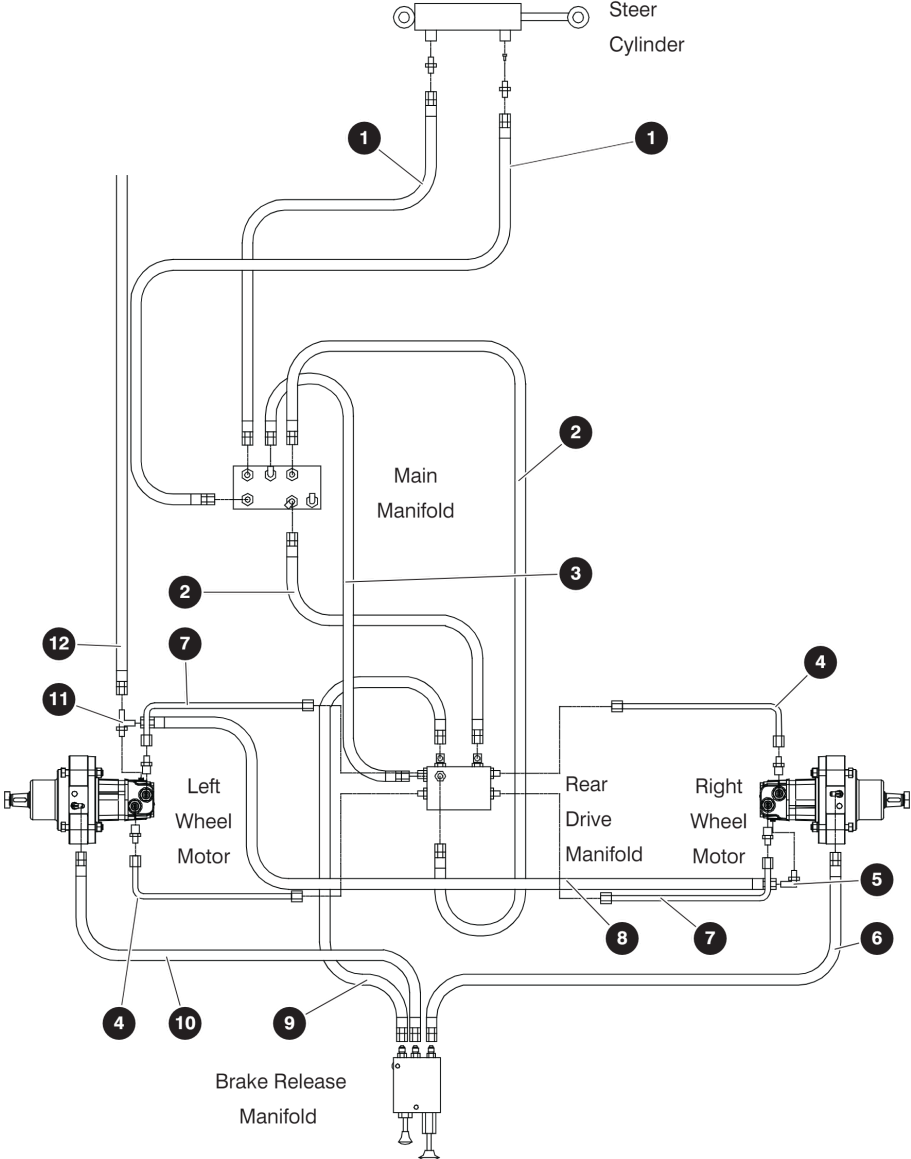
SJIII 3220 SJIII 3226 SJIII 4620 SJIII 4626 SJIII 4632

165974AL

3.11 Hydraulic Hose Connections - Pin Brake

Index No.	Skyjack Part No.	Qty.	Description
1	119833	2	HOSE ASSEMBLY (Steer)
2	104656	2	HOSE ASSEMBLY (Drive)
3	104659	1	HOSE ASSEMBLY (Brake supply)
4	125497	4	TUBE ASSEMBLY (Drive motor) <i>(Model SJIII 32xx)</i>
	H560800133	4	TUBE ASSEMBLY (Drive motor) <i>(Model SJIII 46xx)</i>
5	102540	1	HOSE ASSEMBLY (Right brake) <i>(Model SJIII 32xx)</i>
	119451	1	HOSE ASSEMBLY (Right brake) <i>(Model SJIII 46xx)</i>
6	126015	1	HOSE ASSEMBLY (Left brake)

3.12 Hydraulic Hose - Disc Brake (Models 46xx)



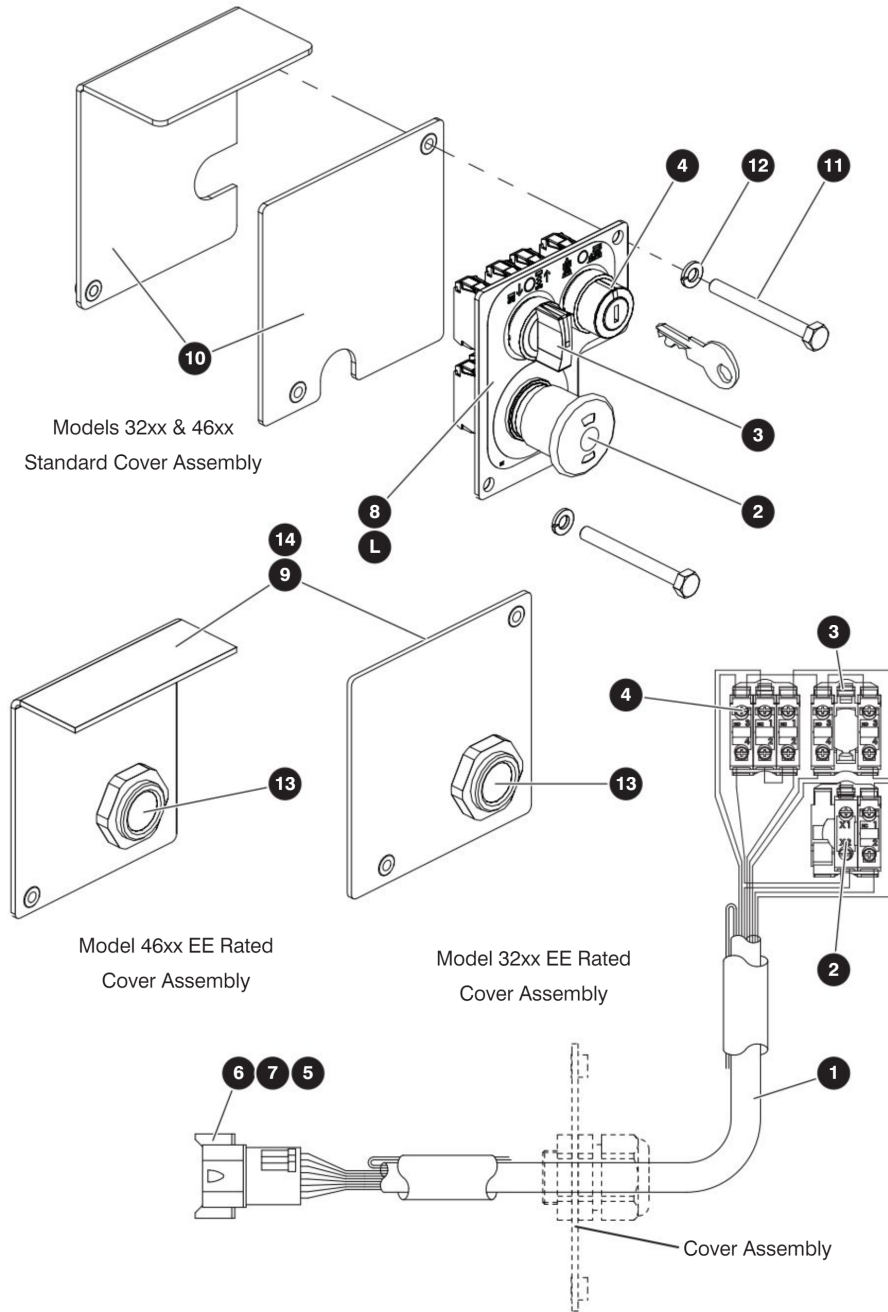
M11544AA

SJIII 3220 SJIII 3226 SJIII 4620 SJIII 4626 SJIII 4632

165974AL

3.12 Hydraulic Hose - Disc Brake (Models 46xx)

Index No.	Skyjack Part No.	Qty.	Description
1	119833	2	HOSE ASSEMBLY (Steer)
2	104656	2	HOSE ASSEMBLY (Drive)
3	137175	1	HOSE ASSEMBLY (Brake supply)
4	136569	2	HOSE ASSEMBLY (Wheel motor)
5	113348	1	FITTING, Elbow 90° (#515-6-4)
6	136573	1	HOSE ASSEMBLY (Right brake)
7	136568	2	HOSE ASSEMBLY (Wheel motor)
8	120036	1	HOSE ASSEMBLY (Right motor drain)
9	136572	1	HOSE ASSEMBLY (Brake release manifold)
10	137636	1	HOSE ASSEMBLY (Left brake)
11	121602	1	FITTING, Tee (06 JICM - 04 ORBM - 06 JICM)
12	138133	1	HOSE ASSEMBLY (Main case drain)

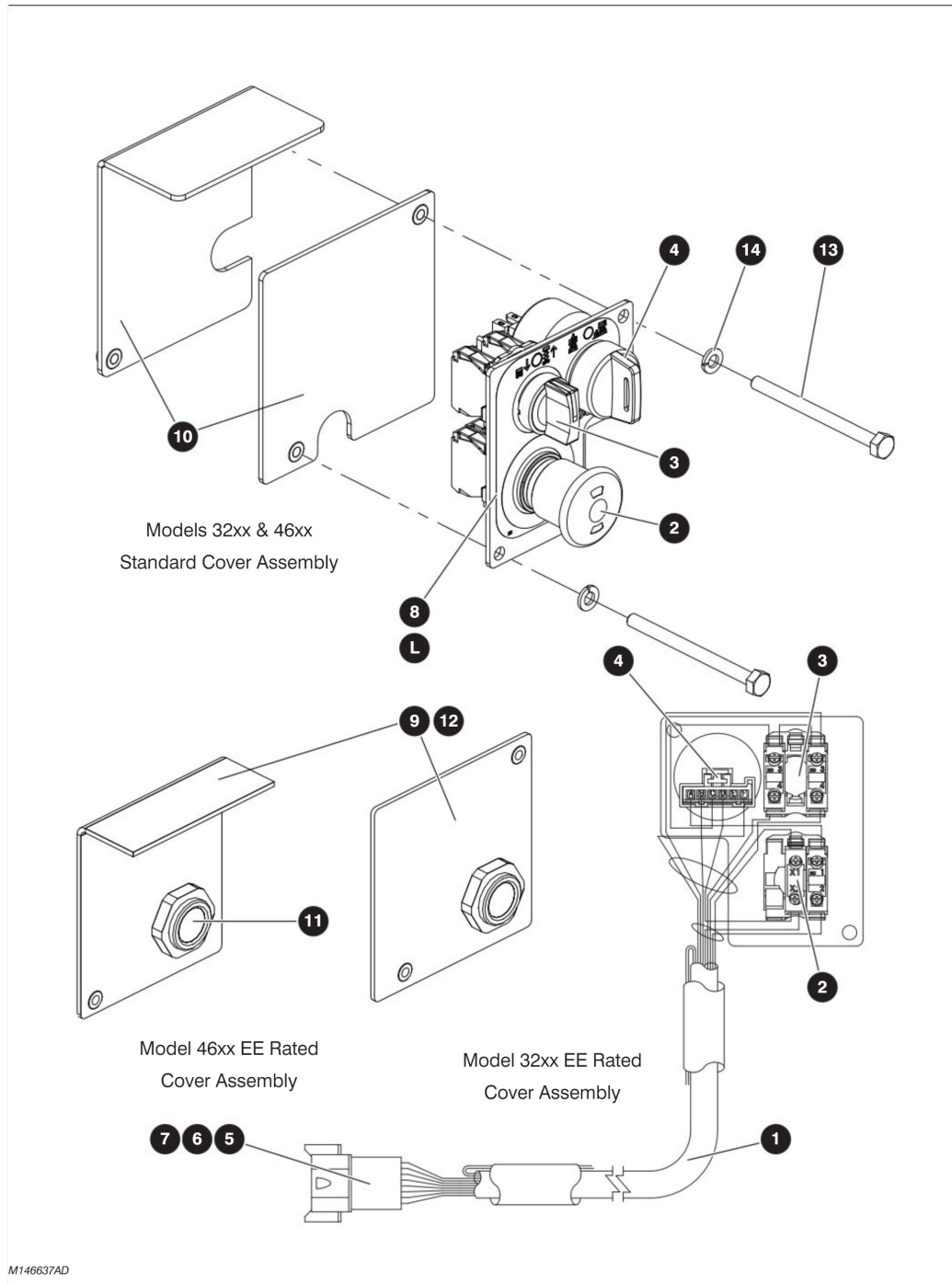


M146637AA_3

SJIII 3220 SJIII 3226 SJIII 4620 SJIII 4626 SJIII 4632

165974AL

Index No.	Skyjack Part No.	Qty.	Description
A	146597	-	BASE CONTROL CONSOLE ASSEMBLY (For model SJIII 3220 with serial number 60006146 & Below) (For model SJIII 3226 with serial number 27028841 & Below) (For model SJIII 46xx with serial number 70028673 & Below)
B	147995	-	BASE CONTROL CONSOLE ASSEMBLY (Models 322x EE-Rated)
C	147994	-	BASE CONTROL CONSOLE ASSEMBLY (Models 46xx EE-Rated) (For model SJIII 46xx with serial number 70029136 & Below)
1	149553	1	• HARNESS, Base Control
2	194749	1	• • ASSEMBLY, Switch - Emergency stop
	147051	1	• • • SWITCH HEAD, Emergency stop
	147056	1	• • • LATCH
	147053	1	• • • BLOCK, Contact (N.C.)
	147061	1	• • • LED BLOCK, 24V (Red)
3	194747	1	• • ASSEMBLY, Switch - Selector
	147069	1	• • • SWITCH HEAD, Selector
	147056	1	• • • LATCH
	147054	2	• • • BLOCK, Contact (N.O.)
4	194758	1	• • ASSEMBLY, Switch - Key Switch
	149536	1	• • • SWITCH HEAD, Selector - Keyed
	104446	1	• • • • KEY (#455)
	147056	1	• • • LATCH
	147053	2	• • • BLOCK, Contact (N.C.)
	147054	1	• • • BLOCK, Contact (N.O.)
5	117582	1	• • RECEPTACLE (8 pin)
6	117584	1	• • CONNECTOR, Wedge (8 pin)
7	117590	8	• • CONNECTOR, Contact pin (16-18)
8	130862	1	• PLATE, Mount (Base Controls)
9	147997	1	• COVER ASSEMBLY (Base Controls), B
	147976	1	• COVER ASSEMBLY (Base Controls), C
10	132706	1	COVER ASSEMBLY (Base Controls) (Models 322x), A
	136536	1	COVER ASSEMBLY (Base Controls) (Models 46xx), A
11	127284	2	BOLT, Hex Hd (1/4"-20 x 2.50", Gr 5)
12	104000	2	WASHER, Lock (1/4"), A
13	117953	2	WASHER, Seal (1/4"), B, C
	300788	1	STRAIN RELIEF (LTF 21), B, C
14	126784	34"	RUBBER, Self-seal, B, C
L	(Ref)	-	LABELS (For components, refer to Section 8.1 Label Kit)



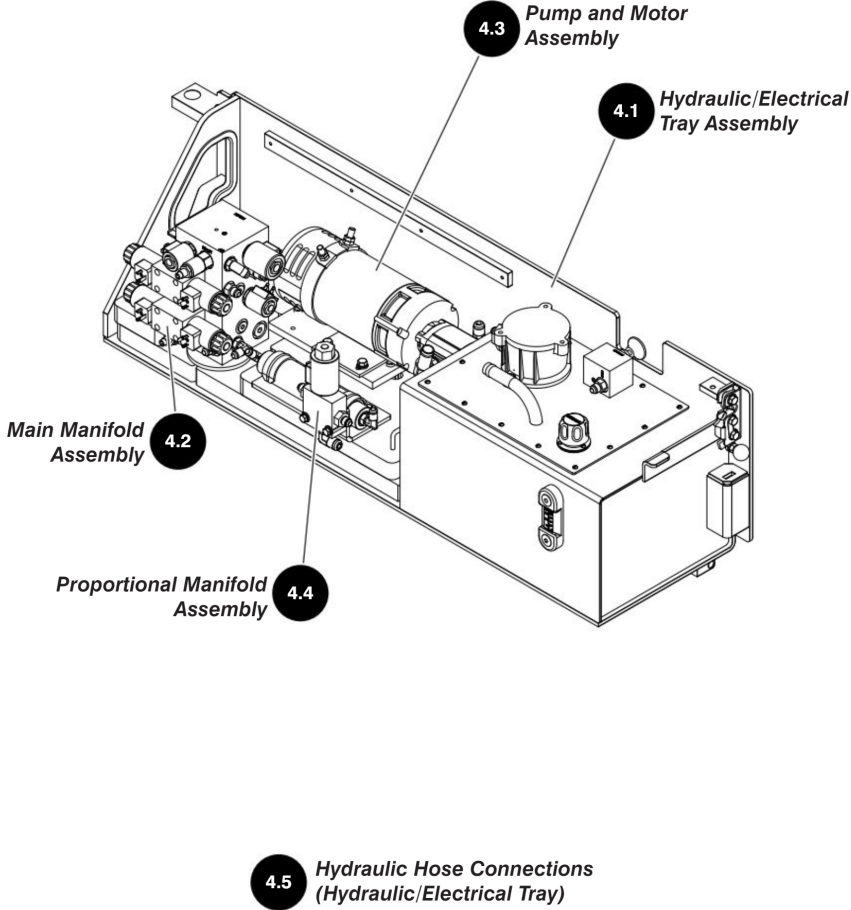
M146637AD

SJIII 3220 SJIII 3226 SJIII 4620 SJIII 4626 SJIII 4632

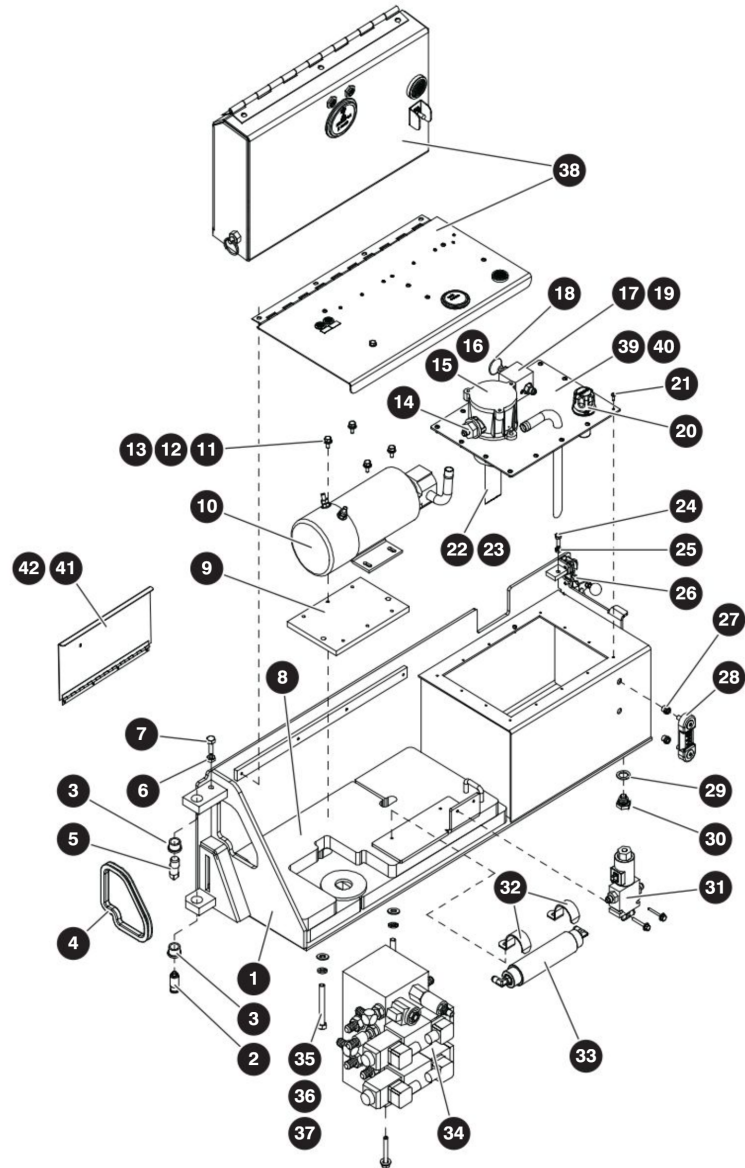
165974AL

Index No.	Skyjack Part No.	Qty.	Description
A	195842	-	BASE CONTROL CONSOLE ASSEMBLY <i>(For model SJIII 3220 with serial number 60006147 & Above)</i> <i>(For model SJIII 3226 with serial number 27028842 & Above)</i> <i>(For model SJIII 46xx with serial number 70028674 & Above)</i>
B	195893	-	BASE CONTROL CONSOLE ASSEMBLY <i>(Models 46xx EE-rated)</i> <i>(For model SJIII 46xx with serial number 70029137 & Above)</i>
1	195843	1	• HARNESS, Base Control, A
	149553	1	• HARNESS, Base Control, B
2	194749	1	• • ASSEMBLY, Switch - Emergency stop
	147051	1	• • • SWITCH HEAD, Emergency stop
	147056	1	• • • LATCH
	147053	1	• • • BLOCK, Contact (N.C.)
	147061	1	• • • LED BLOCK, 24V (Red)
3	194747	1	• • ASSEMBLY, Switch - Selector
	147069	1	• • • SWITCH HEAD, Selector
	147056	1	• • • LATCH
	147054	2	• • • BLOCK, Contact (N.O.)
4	213697	1	• • ASSEMBLY, Key Switch, A
	213699	1	• • • HEAD, Switch key 3 way
	138138	1	• • • BOOT, Key switch
	138137	2	• • • KEY, #455
	138136	1	• • • NUT, Key switch
	194758	1	• • ASSEMBLY, Switch - Key Switch, B
	149536	1	• • • SWITCH HEAD, Selector - Keyed
	104446	1	• • • • KEY (#455)
	147056	1	• • • LATCH
	147053	2	• • • BLOCK, Contact (N.C.)
	147054	1	• • • BLOCK, Contact (N.O.)
5	117582	1	• • RECEPTACLE (8 pin)
6	117584	1	• • CONNECTOR, Wedge (8 pin)
7	117590	8	• • CONNECTOR, Contact pin (16-18)
8	195844	1	• PLATE, Mount (Base Controls)
9	195895	1	• COVER ASSEMBLY (Base Controls), B
10	132706	1	• COVER ASSEMBLY (Base Controls) <i>(Models 322x), A</i>
	195889	1	• COVER ASSEMBLY (Base Controls) <i>(Models 46xx), A</i>
11	300788	1	• STRAIN RELIEF (LTF 21), B
12	126784	21"	• RUBBER, Self-Seal, B
13	195841	2	BOLT, Hex Hd (1/4"-20 x 3.25", Gr 5)
14	104000	2	WASHER, Lock (1/4"), A
15	117951	2	WASHER, Seal (#6), B
L	(Ref.)	-	LABELS <i>(For components, refer to Section 8.1 Label Kit)</i>

Section 4 – Hydraulic Tray Related Parts



4.1 Hydraulic/Electrical Tray Assembly



M11190AD

SJIII 3220 SJIII 3226 SJIII 4620 SJIII 4626 SJIII 4632

SKYACK

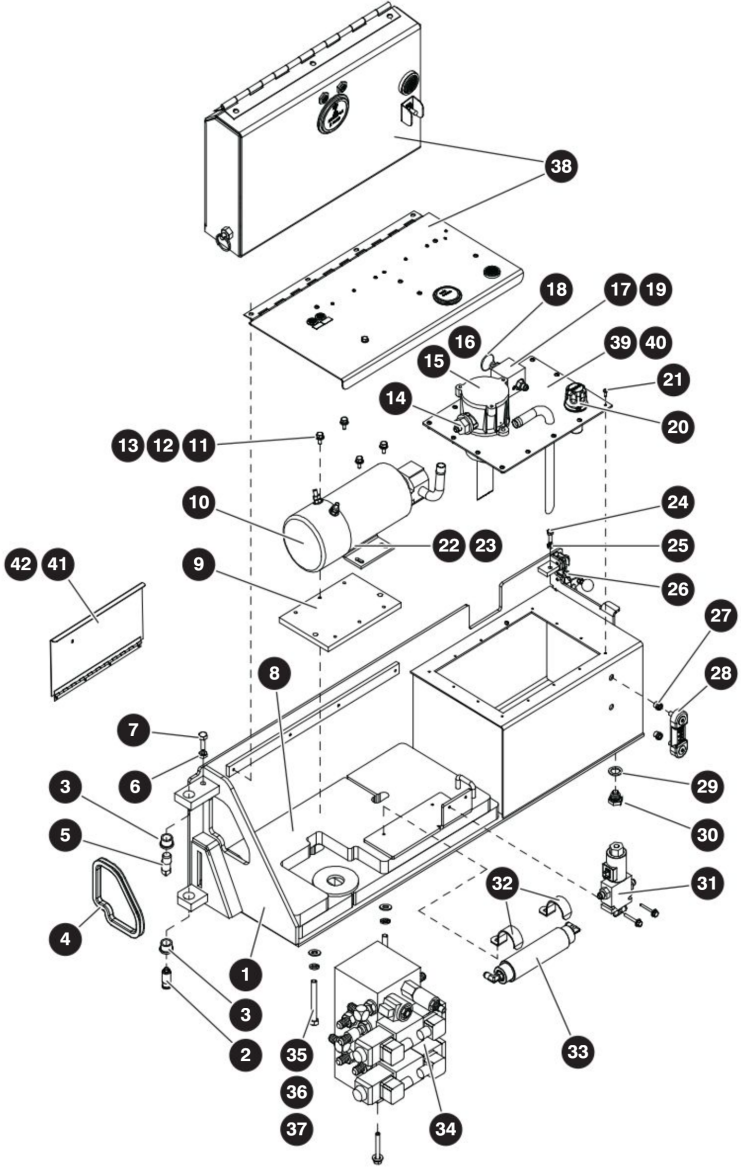
165974AL

103

4.1 Hydraulic/Electrical Tray Assembly

Index No.	Skyjack Part No.	Qty.	Description
1	125443	1	WELDMENT, Hydraulic/electric tray
	125735	1	WELDMENT, Hydraulic/electric tray (ANSI/CSA EE rated)
2	118983	1	PIN, Tray bottom
3	100335	2	BUSHING, Bronze
4	119922	1	TRIM, Protective (1/4"-1/2")
5	100446	1	PIN, Tray upper eccentric
6	107949	1	NUT, Hex jam (1/2"-13)
7	125798	1	BOLT, Carriage (1/2"-13 x 1.5", Gr. 5)
8	132767	1	WEIGHT ASSEMBLY
9	119020	1	PLATE, Motor mounting
10	(Ref.)	-	PUMP AND MOTOR ASSEMBLY (For components, refer to Section 4.3 Pump and Motor Assembly)
11	103887	4	BOLT, Hex head (5/16"-18 x 3/4")
12	103404	4	WASHER, Flat (5/16")
13	103996	4	WASHER, Lock (5/16")
14	109052	1	FITTING, Connector (#12 ORB - #6)
15	109568	1	RETURN FILTER ASSEMBLY
	104254	1	• ELEMENT, Filter
	123022	1	• SEAL, O-ring
	123021	1	• COVER
	123020	1	• SPRING
	122973	1	• CASTING, Aluminum
	121571	1	• SCREW, Set
	122969	3	• BOLT, Washer combined
	122968	1	• CASING, Filter
16	-	-	HARDWARE, Return filter assembly
	103864	2	• BOLT, Hex head (5/16"-18 x 1")
	103984	2	• NUT, Hex lock (5/16"-18, Gr. 5)
-	162220	1	LOWERING MANIFOLD ASSEMBLY WITH FITTING
17	107493	1	• MANIFOLD, Lowering valve
18	107271	1	• VALVE
19	103069	1	• FITTING, Straight (06 JICM - 06 ORBM)
20	102693	1	CAP WITH GASKET, Filler/Breather
	103962	3	SCREW, Machine (#10-32 x 1/2")
21	103962	14	SCREW, Machine (#10-32 x 1/2")
22	103320	1	CLAMP, Worm (#16)
23	213140	1	HOSE, Filter to Tank
24	111804	1	BOLT, Carriage (3/8"-16 x 1", Gr. 5)
25	108575	1	NUT, Hex jam (3/8"-16, Grade B)

4.1 Hydraulic/Electrical Tray Assembly



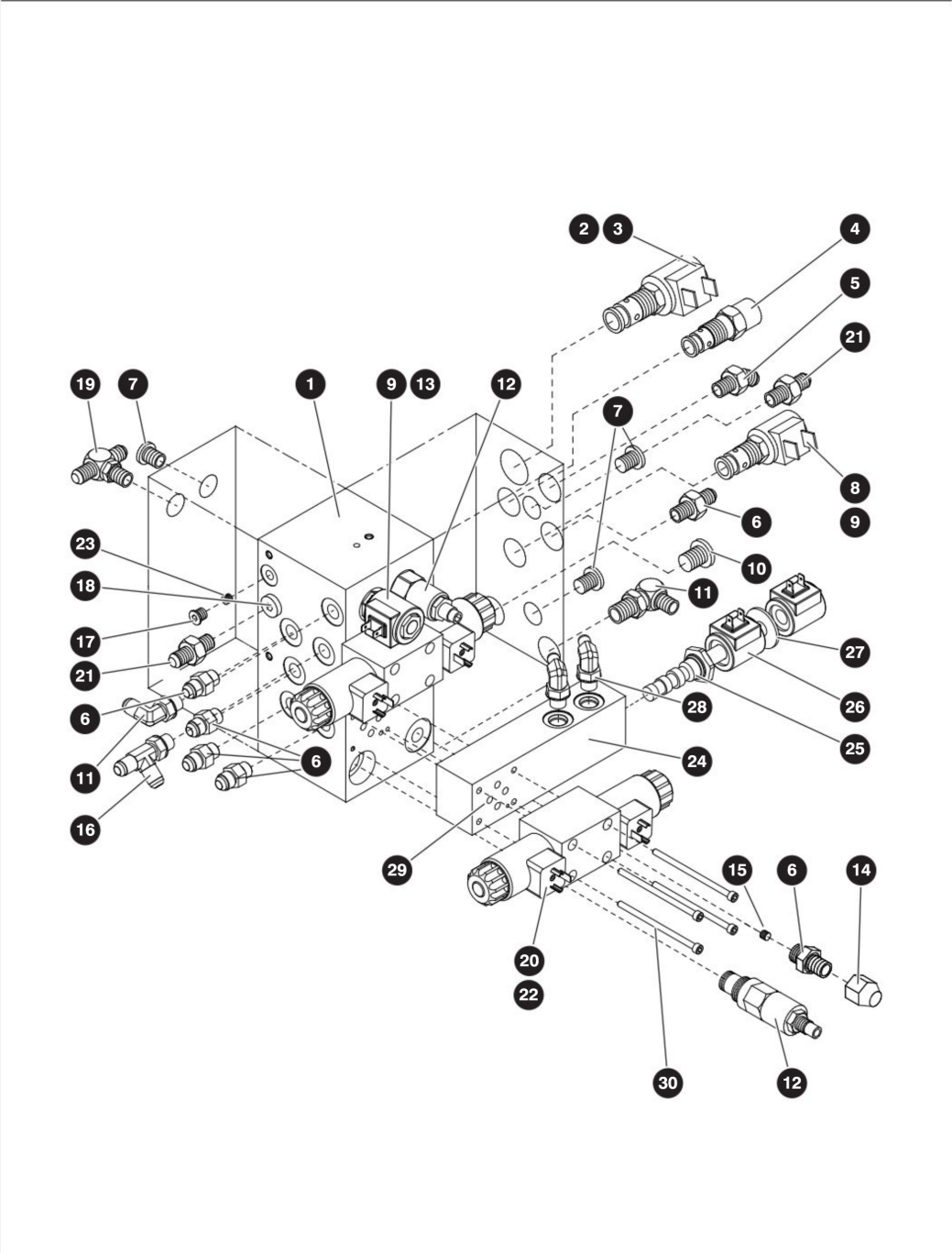
M11190AD

SJIII 3220 SJIII 3226 SJIII 4620 SJIII 4626 SJIII 4632

165974AL

4.1 Hydraulic/Electrical Tray Assembly

Index No.	Skyjack Part No.	Qty.	Description
26	119609	1	ROTARY LATCH ASSEMBLY
	112307	1	• LATCH, Rotary
	111534	1	• KNOB, Latch
	103857	1	• BOLT, Hex head (1/4"-20 x 1", Gr. 5)
	104000	1	• WASHER, Lock (1/4")
	103864	3	• BOLT, Hex head (5/16"-18 x 1", Gr. 5)
	103980	1	• NUT, Hex head (1/4"-20, Gr. 5)
27	124311	2	INSERT, Threaded (not needed with gauge assembly)
28	103236	1	GAUGE, Oil level/temperature
29	120190	1	SEAL, Magnetic drain plug
30	117701	1	THREAD STRAIGHT MAGNETIC PLUG ASSEMBLY
	149606	1	• PLUG, Thread straight magnetic
	120190	1	• SEAL, Thread straight magnetic plug
31	(Ref.)	-	PROPORTIONAL CONTROL VALVE ASSEMBLY <i>(For components, refer to Section 4.4 Proportional Manifold Assembly)</i>
32	102971	2	BRACKET, Cylinder mounting
	103855	2	• BOLT, Hex head (1/4"-20 x 1/2", Gr. 5)
	104000	2	• WASHER, Lock (1/4")
	103995	2	• WASHER, Flat (1/4")
33	125827	1	CYLINDER, Cushion
34	(Ref.)	-	MAIN MANIFOLD ASSEMBLY <i>(For components, refer to Section 4.2 Main Manifold Assembly)</i>
	103873	1	• BOLT, Hex head (3/8"-16 x 2.5", Gr. 5)
	103472	1	• WASHER, Flat (3/8")
	103999	1	• WASHER, Lock (3/8")
	133940	2	BOLT, Hex head (1/2"-13 x 3.75", Gr. 5)
36	104379	2	WASHER, Flat (1/2") - Hard
37	103470	2	WASHER, Lock (1/2")
38	(Ref.)	-	ELECTRICAL PANEL ASSEMBLY <i>(For components, refer to Section 6.1 Electrical Panel Hardware Assembly)</i>
39	109267	1	COVER, Hydraulic tank
40	148298	1	GASKET, Hydraulic tank
41	125738	1	COVER, Hydraulic/Electric Tray (ANSI/CSA EE rated)
42	107000	1	PIANO, Hinged 21" (ANSI/CSA EE rated)



M160463AA_2

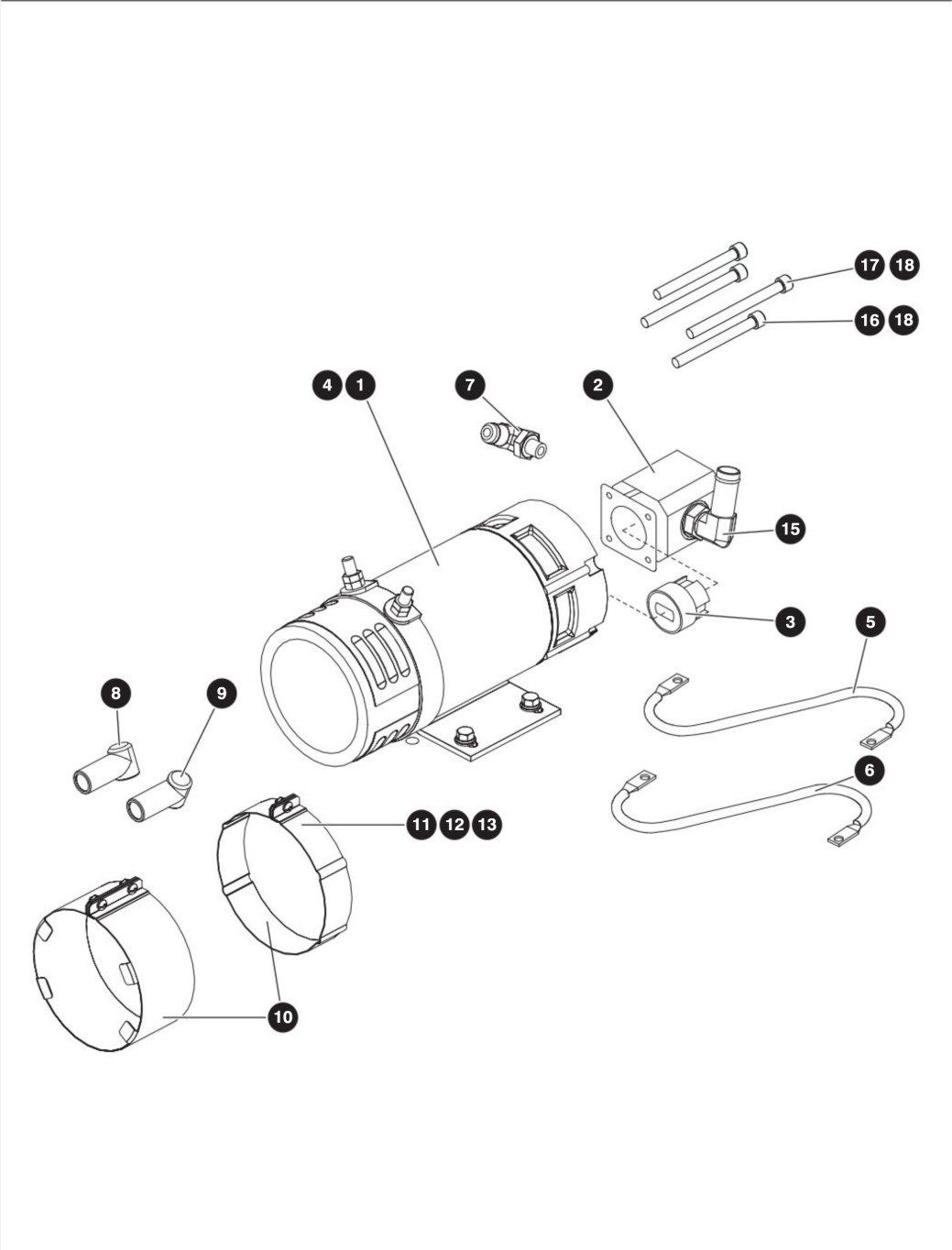
SJIII 3220 SJIII 3226 SJIII 4620 SJIII 4626 SJIII 4632

165974AL

Index No.	Skyjack Part No.	Qty.	Description
-	154514	1	MAIN MANIFOLD ASSEMBLY
-	124253	-	• MANIFOLD ASSEMBLY (without directional valves)
1	107354	1	• • BLOCK, Manifold
	108052	9	• • • PLUG, Expander
2	106273	1	• • VALVE, 3-Way (Lift)
3	105610	1	• • COIL, 24 Volt
4	147889	1	• • VALVE, Counterbalance
5	114580	1	• • FITTING, Elbow 45° (06 JICM - 06 ORBM)
6	103069	6	• • FITTING, Straight (06 JICM - 06 ORBM)
7	104437	6	• • FITTING, Plug (06 ORBM)
8	103623	1	• • VALVE, 3-Way (Brake)
9	103605	2	• • COIL (24 volt)
10	115320	1	• • FITTING, Plug (#8)
11	114578	2	• • FITTING, Elbow 90° (06 JICM - 04 ORBM)
12	104534	2	• • VALVE, Relief
13	103655	1	• • VALVE (N.C.)
14	107666	1	• • NUT, Cap (06 JICF)
15	104419	1	• • PLUG (1/16 NPT)
16	114581	1	• • FITTING, Tee (06 JICM - 06 ORBMS - 06 JICM)
17	102856	1	• • PLUG (#3) (Models 322x)
18	104437	1	• • FITTING, Plug (06 ORBM) (Models 322x/4626/4632)
	122213	1	• • FITTING, Pressure plug (1/16" NPT) (Model 4620)
19	114579	1	• • FITTING, Tee (06 JICM - 06 JICM - 06 ORBM)
20	153334	2	• VALVE, Directional D03 spool (Drive & Steer)
	153335	4	• • COIL (24 volt)
	103920	8	• BOLT, Socket head (#10-24 x 2", Gr. 5) (Powerdeck machines requires only 4)
21	701956	2	FITTING, Straight (04 JICM - 06 ORBM) (Powered extension platform)
22	119825	4	CONNECTOR (with diode)
23	105530	1	ORIFICE (1/16" NPT x 0.081" I.D.) (Model SJIII 4632)
	160455	1	POWERDECK SANDWICH MANIFOLD ASSEMBLY (Models 3220/4620/4626)
24	160454	1	• MANIFOLD, Powerdeck sandwich
25	113953	1	• VALVE
26	103605	2	• COIL (24 volt)
27	148271	1	• SPACER, Coil
28	129127	2	• FITTING, Elbow 90° (04 JICM - 06 ORBM)
29	139834	4	• O-RING (1/2" O.D. - 3/8" I.D.)
30	103923	4	BOLT, Socket head (#10-24 x 3.5", Gr. 5)

4.3 Pump and Motor Assembly

AI



M154853AB_1

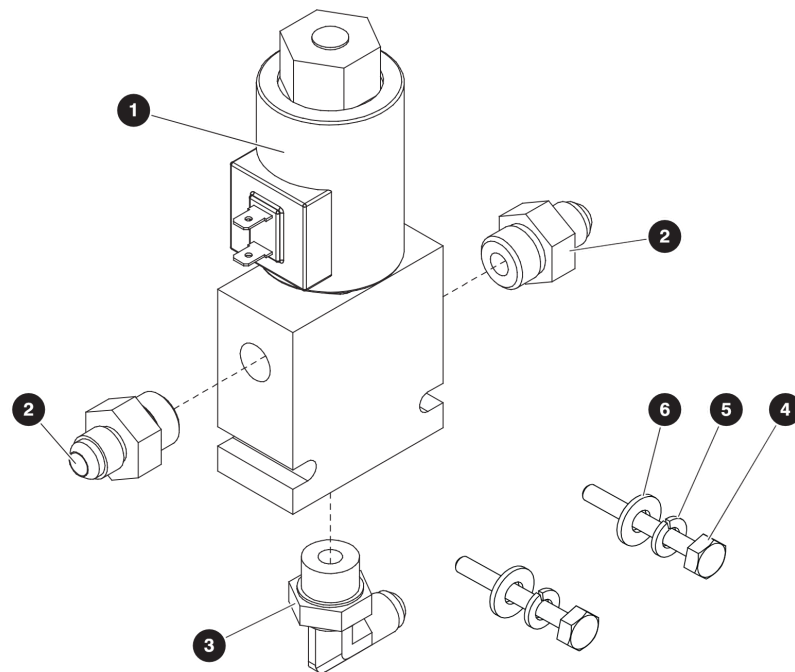
SJIII 3220 SJIII 3226 SJIII 4620 SJIII 4626 SJIII 4632

165974AL

4.3 Pump and Motor Assembly

Index No.	Skyjack Part No.	Qty.	Description
A	147276	1	PUMP & MOTOR ASSEMBLY (<i>Model SJIII 3220/4620 & all EE rated</i>) (<i>For model SJIII 3220 with serial number 60004660 & Below</i>) (<i>For model SJIII 3226 with serial number 27020826 & Below</i>) (<i>For model SJIII 46xx with serial number 70020611 & Below</i>)
B	147099	1	PUMP & MOTOR ASSEMBLY (<i>Model SJIII 3226/4626/4632, excluding EE rated</i>) (<i>For model SJIII 3220 with serial number 60004660 & Below</i>) (<i>For model SJIII 3226 with serial number 27020826 & Below</i>) (<i>For model SJIII 46xx with serial number 70020611 & Below</i>)
C	161937	1	PUMP & MOTOR ASSEMBLY (<i>Model SJIII 322x/46xx, excluding EE rated</i>) (<i>For model SJIII 3220 with serial number 60004661 & Above</i>) (<i>For model SJIII 3226 with serial number 27020827 & Above</i>) (<i>For model SJIII 46xx with serial number 70020612 & Above</i>)
D	164606	1	PUMP & MOTOR ASSEMBLY (<i>ANSI/CSA EE rated</i>) (<i>For model SJIII 3220 with serial number 60004661 & Above</i>) (<i>For model SJIII 3226 with serial number 27020827 & Above</i>) (<i>For model SJIII 46xx with serial number 70020612 & Above</i>)
1	147664	1	• MOTOR (24 VDC), A, B
	169260	1	• MOTOR (24 VDC), C, D
2	147661	1	• PUMP, Hydraulic, A
	147662	1	• PUMP, Hydraulic, B
	169261	1	• PUMP, Hydraulic, C, D
3	147663	1	• COUPLER (includes seals), A, B
4	-	1	HARDWARE, Motor replacement
	122967	1	• BRUSH KIT (includes brushes and springs), A, B
	169623	1	• BRUSH KIT (includes brushes and springs), C, D
5	124323	1	CABLE (Motor to main contactor), B, C
	122566	1	CABLE (Motor to main contactor), A
	169235	1	CABLE (Motor to main contactor), D
6	(Ref.)	1	CABLE, Motor/Battery (<i>For components, refer to Section 5.1 Battery Tray Assembly</i>)
7	102665	1	FITTING, Elbow 90° (06 JICM - 08 ORBM)
8	117407	1	INSULATOR, Boot (Black) (<i>ANSI/CSA EE rated</i>)
9	117408	1	INSULATOR, Boot (Red) (<i>ANSI/CSA EE rated</i>)
10	129962	1	KIT, Motor band (<i>ANSI/CSA EE rated</i>), A
	169505	1	KIT, Motor band (<i>ANSI/CSA EE rated</i>), D
11	103986	4	NUT, Hex Head (8-32), D
12	162061	4	SCREW, Round Head (8-32 x 3/4"), D
13	112249	4	WASHER, Lock (#8), D
14	169535	1	KIT, Seal repair (Not Shown), C, D
15	144058	1	FITTING, 90° (12 BEAD - 10 ORBM), C, D
16	169557	2	BOLT, Socket Head (M8 x 1.25 x 75 CL 8.8 ZN), C, D
17	169558	2	BOLT, Socket Head (M8 x 1.25 x 95 CL 12.9 ZN), C, D
18	933832	4	WASHER, Flat - M8 X 16 O.D., C, D

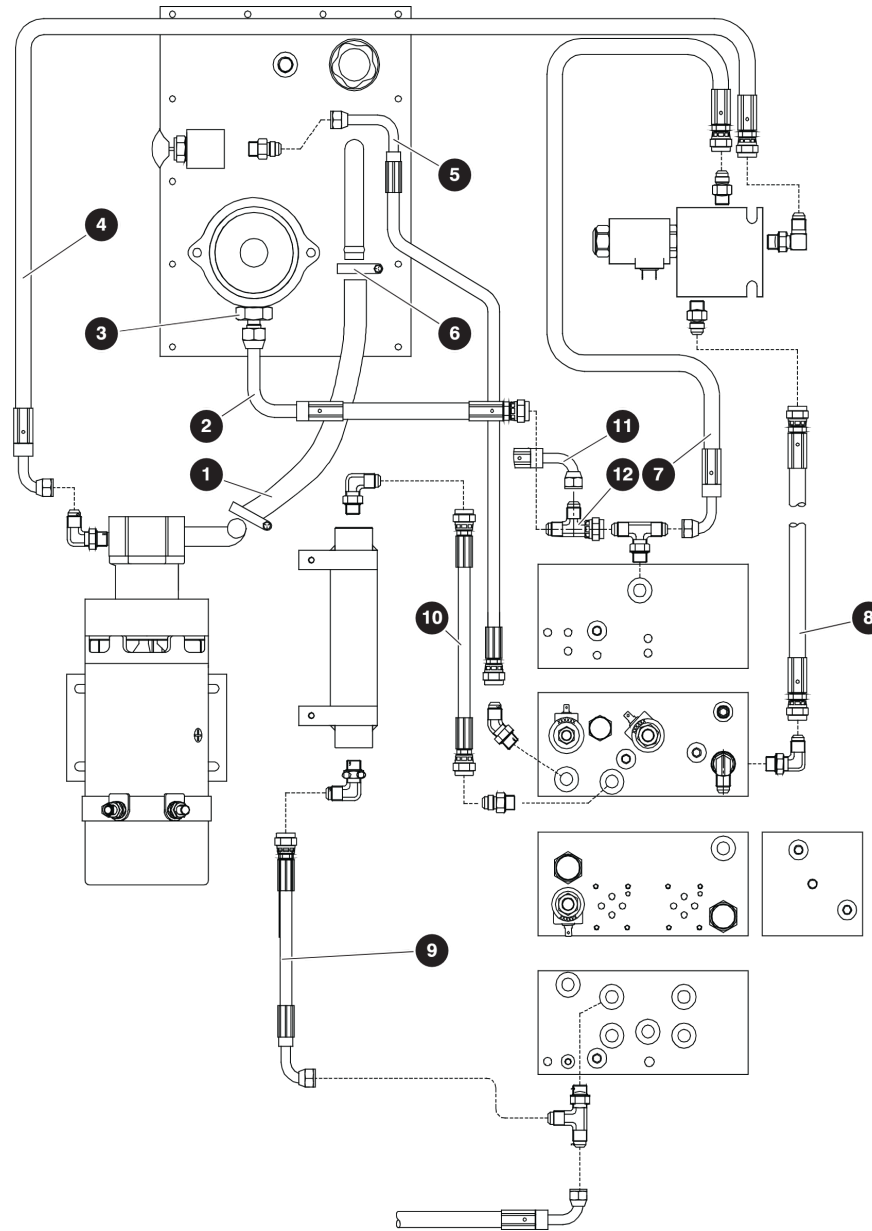
4.4 Proportional Manifold Assembly



M123475AA

Index No.	Skyjack Part No.	Qty.	Description
-	132761	1	PROPORTIONAL MANIFOLD ASSEMBLY
1	132750	1	• MANIFOLD ASSEMBLY
	132748	1	• • BLOCK, Manifold
	132749	1	• • VALVE, Control
	115370	1	• • COIL (24 volt)
2	103070	2	• FITTING, Straight (06 JICM - 08 ORBM)
3	102665	1	• FITTING, Elbow 90° (06 JICM - 08 ORBM)
4	103860	2	BOLT, Hex head (1/4"-20 x 1.75", Gr. 5)
5	104000	2	WASHER, Lock (1/4")
6	103995	2	WASHER, Flat (1/4")

4.5 Hydraulic Hose Connections (Hydraulic/Electrical Tray)



M11545AA

SJIII 3220 SJIII 3226 SJIII 4620 SJIII 4626 SJIII 4632

SKYJACK

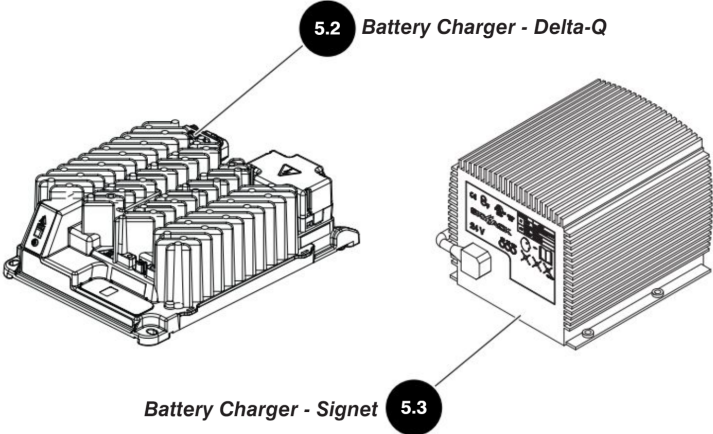
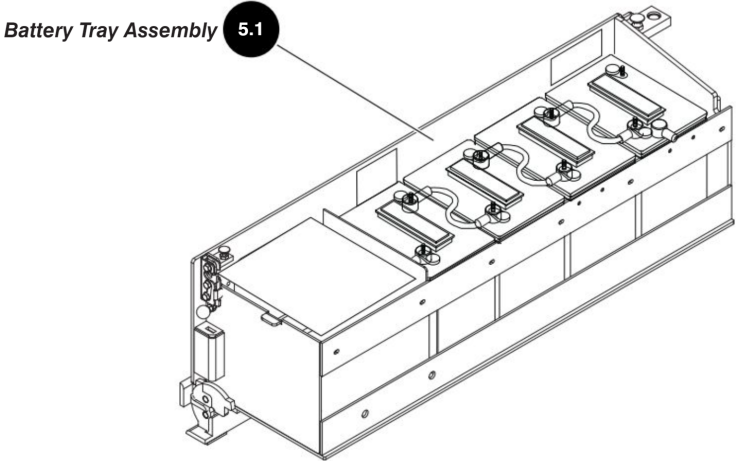
165974AL

113

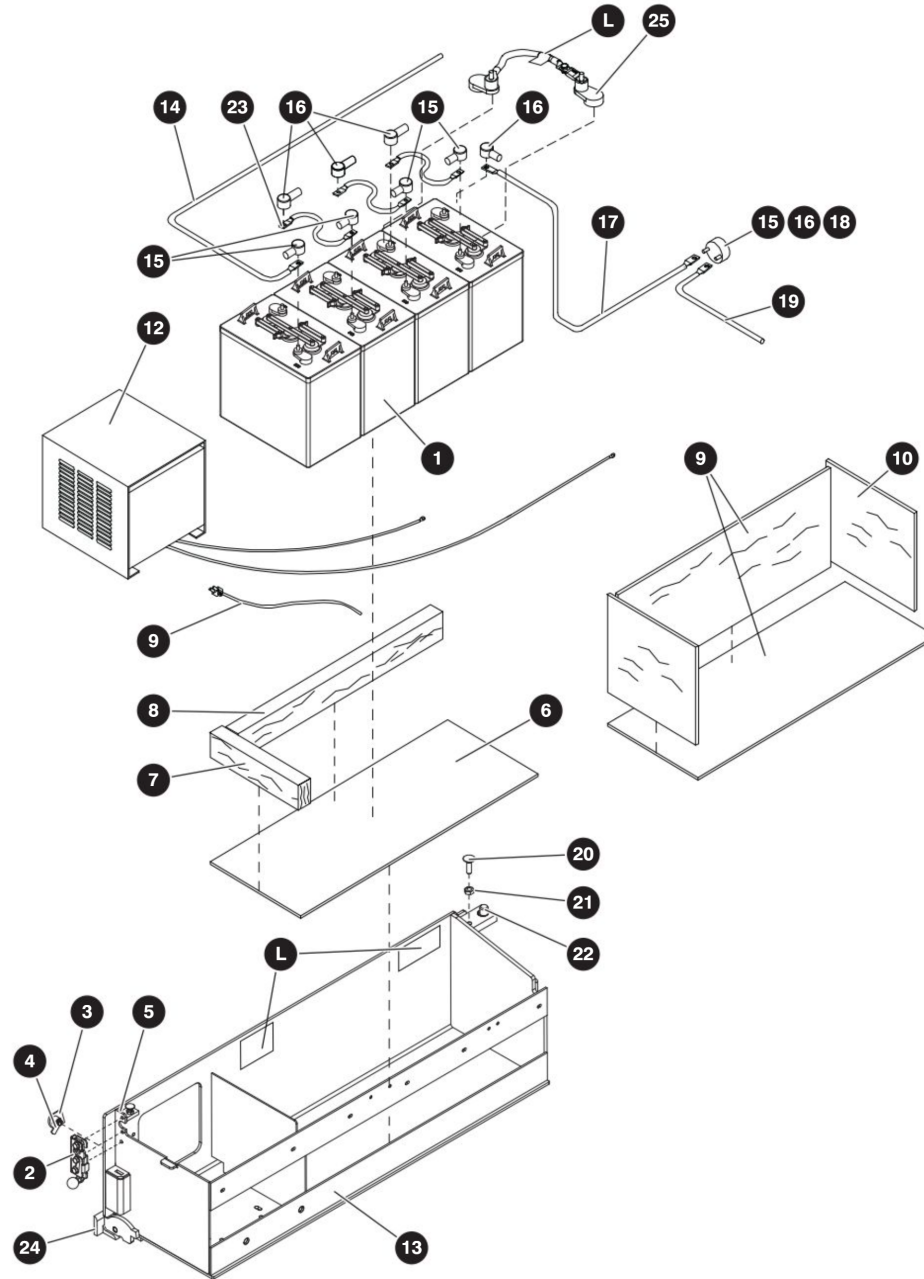
4.5 Hydraulic Hose Connections (Hydraulic/Electrical Tray)

Index No.	Skyjack Part No.	Qty.	Description
1	119851	1	HOSE, Suction (3/4")
2	136563	1	HOSE ASSEMBLY (Filter to main manifold)
3	109052	1	FITTING, Connector (#12 ORB - #6)
4	106412	1	HOSE ASSEMBLY (Pump to proportional control valve)
5	112631	1	HOSE ASSEMBLY (Manual lowering valve)
6	114402	2	CLAMP, Worm (#12)
7	107732	1	HOSE ASSEMBLY (Proportional control valve to return filter)
8	106413	1	HOSE ASSEMBLY (Main manifold to proportional control valve)
9	126331	1	HOSE ASSEMBLY (Cushion cylinder)
10	102647	1	HOSE ASSEMBLY (Cushion cylinder)
11	(Ref.)	1	HOSE ASSEMBLY (Models 46xx) (For components, refer to Section 3.12 Hydraulic Hose - Disc Brake (Models 46xx))
12	702382	1	FITTING, Tee-run swivel (#6 JIC) (Models 46xx)

Section 5 – Battery Tray Related Parts



5.1 Battery Tray Assembly



M143664AA3_ANSI

SJIII 3220 SJIII 3226 SJIII 4620 SJIII 4626 SJIII 4632

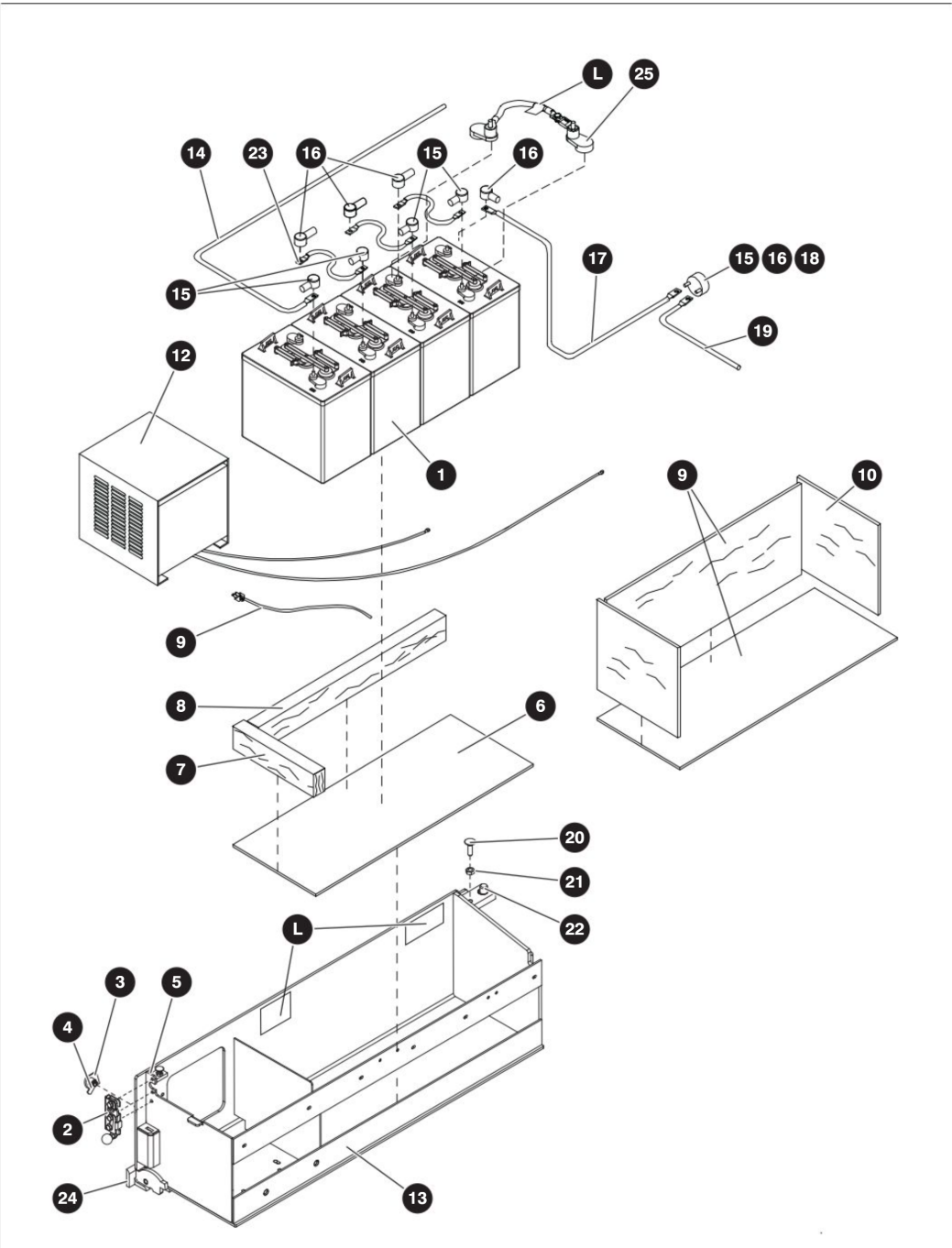
SKYJACK

165974AL

117

Index No.	Skyjack Part No.	Qty.	Description
A	-	-	BATTERY OPTION U2200
B	-	-	BATTERY OPTION US 250
C	-	-	BATTERY OPTION U2200 (ANSI/CSA EE-Rated)
D	-	-	BATTERY OPTION AGM (ANSI/CSA)
E	-	-	BATTERY OPTION U2200 (BRAZIL)
F	-	-	BATTERY OPTION US 250 (BRAZIL)
G	-	-	BATTERY OPTION AGM (BRAZIL)
H	-	-	BATTERY OPTION T-105 (ANSI/CSA - Model SJIII 322X/4626/4632)
I	-	-	BATTERY OPTION T-105 (ANSI/CSA EE Rated - Model SJIII 322X/4626/4632)
1	103480	4	BATTERY, 6V (U2200), A, C, E
	106552	4	BATTERY, 6V (US 250), B, F
	160933	4	BATTERY, 6V, D, G
	168109	4	BATTERY, 6V, H, I
2	119608	1	LATCH ASSEMBLY
	112308	1	• LATCH, Rotary
	111534	1	• KNOB, Latch
	103857	1	• BOLT, Hex head (1/4"-20 x 1", Gr. 5)
	104000	1	• WASHER, Lock (1/4")
	103864	3	• BOLT, Hex head (5/16"-18 x 1", Gr. 5)
	103980	1	• NUT, Hex head (1/4"-20, Gr. 5)
3	160445	1	LOCK TAB, Battery tray (ANSI/CSA EE-Rated)
4	104051	1	CAM, Lock (ANSI/CSA EE-Rated)
5	111804	1	BOLT, Carriage (3/8"-16 x 1", Gr. 5)
	108575	1	NUT, Jam (3/8"-16, Gr. 5)
6	100440	1	PLYWOOD (3/8 x 10.5 x 28.5)
7	111423	1	SPACER, Wood (2 x 3 x 11), A, B, D, H
	129122	2	SPACER, Wood (3/4" x 3.5 x 11), E, F, G
8	100442	1	SPACER, Wood (2 x 3 x 28), A, D, H
	124988	1	SPACER, Wood (5/8" x 3 x 28), C, I
	129123	2	SPACER, Wood (3/4" x 3.5 x 28), E, G
9	113655	3	PLYWOOD (1/4 x 9.5 x 29), C, I
10	113654	5	PLYWOOD (1/4 x 9.5 x 10.5), C, I
11	(Ref.)	1	CHARGER CUTOFF HARNESS (For components, refer to Section 10.18 Charger, Horn/Flashing Lights, Tilt Switch Harnesses)
12	(Ref.)	1	BATTERY CHARGER ASSEMBLY (For components, refer to Section 5.2 Battery Charger - Delta-Q)
13	143665	1	BATTERY TRAY WELDMENT
14	124324	1	CABLE (Battery to pump/motor assembly)
	169199	1	CABLE (Battery to pump/motor assembly) (ANSI/CSA EE Rated)
15	117407	4	INSULATOR, Boot (Black)
16	117408	4	INSULATOR, Boot (Red)
17	143663	1	CABLE (Main disconnect switch to battery)
18	(Ref.)	-	MAIN DISCONNECT SWITCH ASSEMBLY (For components, refer to Section 3.1 Base Assembly)

5.1 Battery Tray Assembly



M143664AA3_ANSI

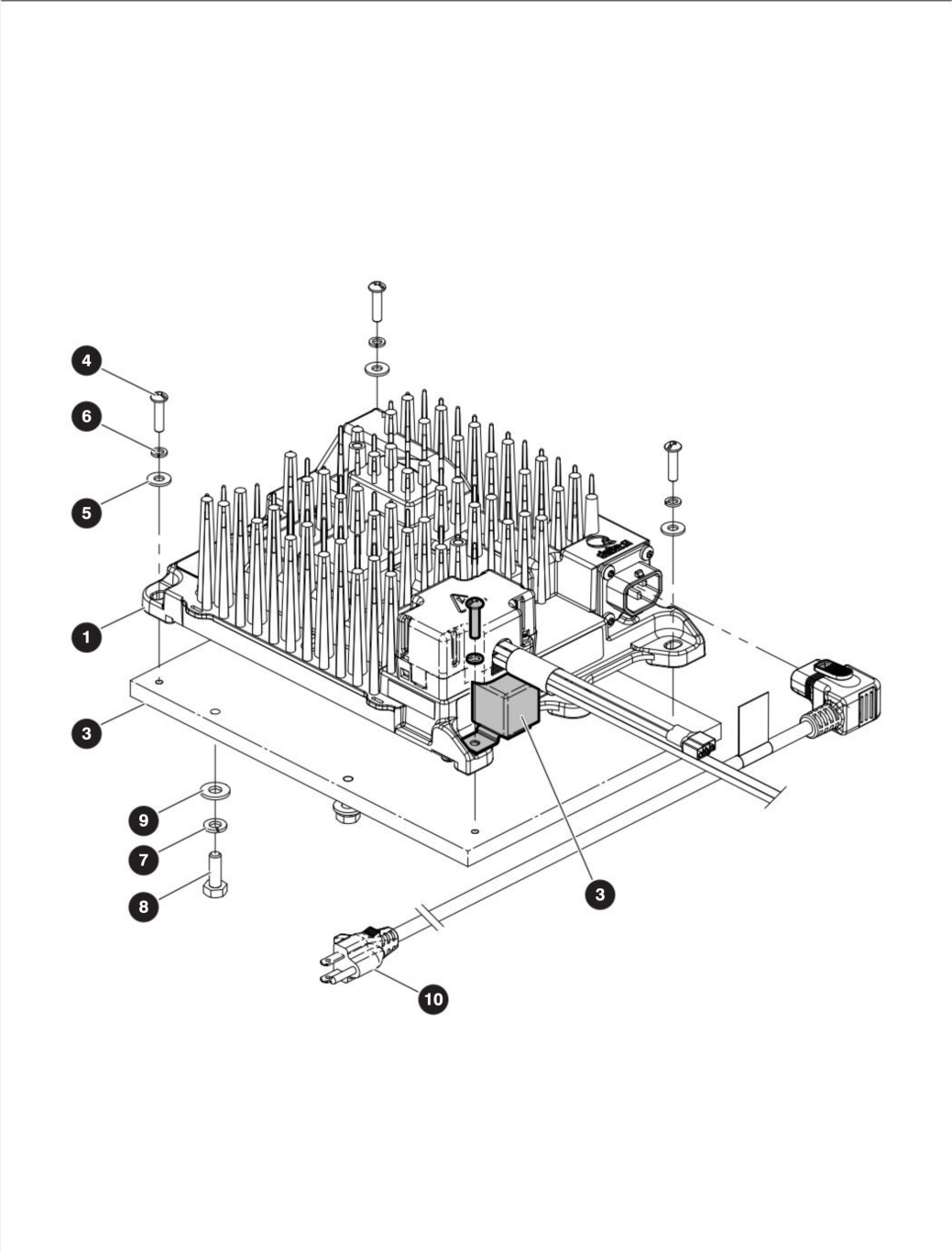
SJIII 3220 SJIII 3226 SJIII 4620 SJIII 4626 SJIII 4632

165974AL

5.1 Battery Tray Assembly

Index No.	Skyjack Part No.	Qty.	Description
19	119550	1	CABLE (Main disconnect switch to main contactor)
	126049	1	CABLE (Main disconnect switch to main contactor) (ANSI/CSA EE rated) (For model SJIII 3220 with serial number 60004660 & Below) (For model SJIII 3226 with serial number 27020826 & Below) (For model SJIII 46xx with serial number 70020611 & Below)
	169236	1	CABLE (Main disconnect switch to main contactor) (ANSI/CSA EE rated) (For model SJIII 3220 with serial number 60004661 & Above) (For model SJIII 3226 with serial number 27020827 & Above) (For model SJIII 46xx with serial number 70020612 & Above)
20	125798	1	BOLT, Carriage (1/2"-13 x 1.5", Gr. 5)
21	107949	1	NUT, Jam (1/2"-13)
22	-	-	PIN ASSEMBLY (Tray upper)
	100335	1	• BUSHING, Bronze
	100446	1	• PIN, Eccentric
	-	-	PIN ASSEMBLY (Tray lower)
	100335	1	• BUSHING, Bronze
	118983	1	• PIN, Tray bottom
23	120425	2	CABLE, Battery jumper
	119615	2	CABLE, Battery jumper, D, G
24	(Ref.)	-	POTHOLE PROTECTION DEVICE ASSEMBLY (For components, refer to Section 3.2 Pothole Protection Device)
25	137243	1	CABLE, Battery in-line fuse (300A), A, B, C, E, F, H, I
	310517	1	• FUSE (300 Amp)
	195691	1	CABLE, Battery in-line fuse (300A), D, G
	310517	1	• FUSE (300 Amp)
L	(Ref.)	-	LABELS (For components, refer to Section 8.1 Label Kit)

5.2 Battery Charger - Delta-Q



M155778AA2

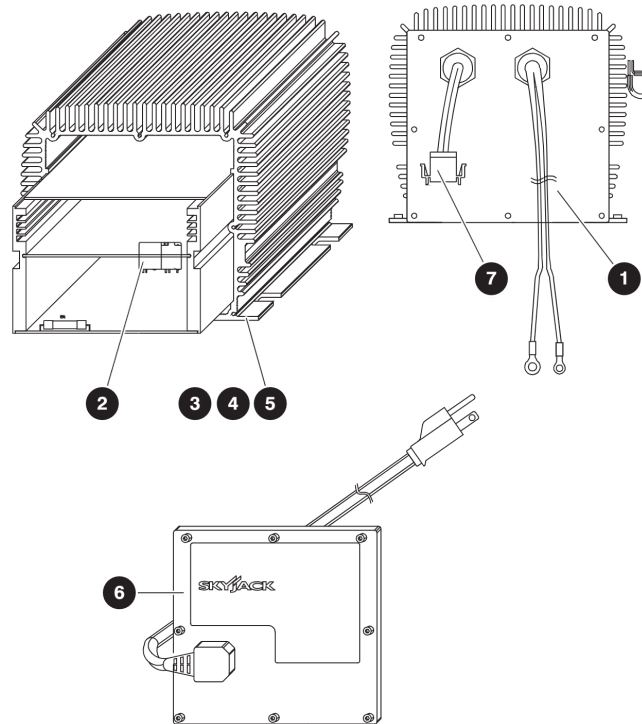
SJIII 3220 SJIII 3226 SJIII 4620 SJIII 4626 SJIII 4632

165974AL

5.2 Battery Charger - Delta-Q

Index No.	Skyjack Part No.	Qty.	Description
-	226386	-	CHARGER ASSEMBLY - DELTA-Q
-	226374	1	• CHARGER ASM, Delta-Q IC650
1	223160	1	• • CHARGER, Delta-Q IC650 - NO
2	221711	1	• • PLATE, Charger Mount - IC650
3	223065	1	• • RELAY ASM, Charger IC650
	108589	1	• • • RELAY, 24V - 40A
	105359	2	• • • TERMINAL, Female - 14-16AWG Blue Insulated
	103367	2	• • • HEATSHRINK, 1/4"DIA Polyolfin (Black)
	115391	1	• • • RECEPTACLE, 2 Pole Female - Mate-N-Lock
	116989	2	• • • WIRE PIN, Male - Mate-N-Lock
4	138834	4	• • SCREW, Round Head Machined - #10-24 x 3/4"
5	104694	3	• • WASHER, Flat - #10
6	104185	4	• • WASHER, Lock - #10
7	104000	4	• WASHER, Lock - 1/4"
8	103856	4	• BOLT, Hex Head Zinc - 1/4"-20 x 3/4" Gr. 5
9	103995	4	• WASHER, Flat - 1/4"
10	223156	1	• CORD, Charger Delta-Q IC650

5.3 Battery Charger - Signet



M155778AA2

SJIII 3220 SJIII 3226 SJIII 4620 SJIII 4626 SJIII 4632

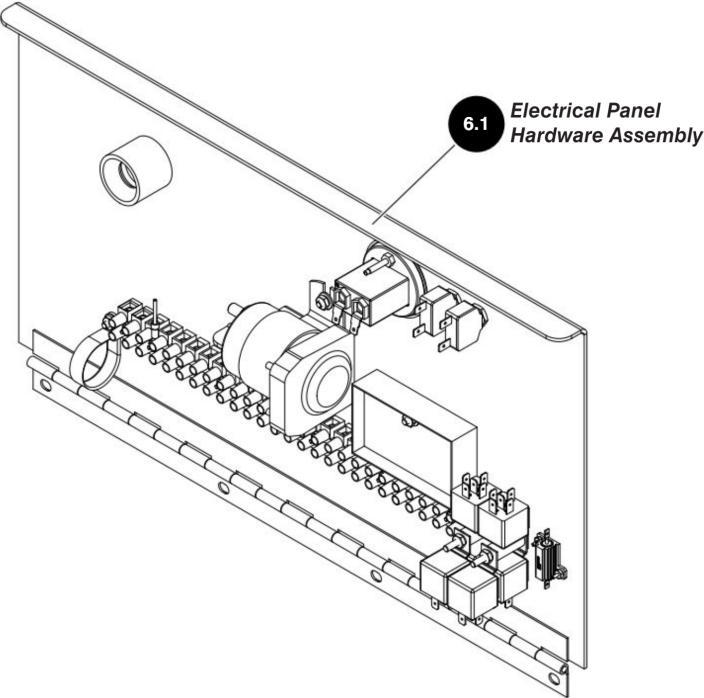
SKYJACK

165974AL

123

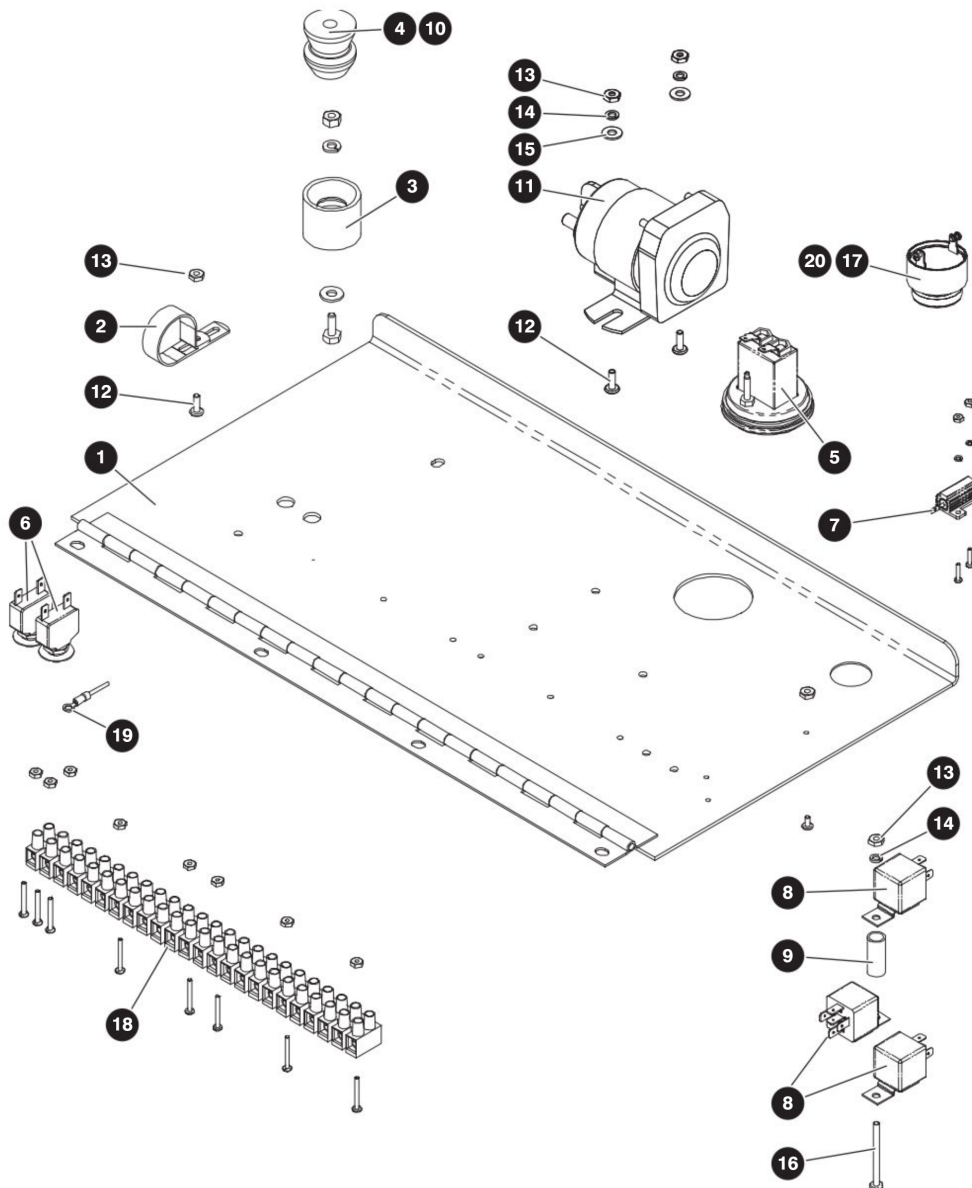
Index No.	Skyjack Part No.	Qty.	Description
A	-	-	CHARGER ASSEMBLY (ANSI/CSA)
B	-	-	CHARGER ASSEMBLY (ANSI/CSA EE rated)
C	-	-	CHARGER ASSEMBLY - AGM OPTION (ANSI/CSA)
1	161827	1	CHARGER, Battery (24VDC), A, B
	160931	1	CHARGER, Battery (24VDC) with charger cord - AGM, C
2	196127	1	• RELAY, Interlock, A, B
	127154	1	• RELAY, Interlock, C
3	103856	4	BOLT, Hex head (1/4"-20, x 0.75, Gr. 5)
4	103995	4	WASHER, Flat (1/4")
5	104000	4	WASHER, Lock (1/4")
6	147674	1	FRONTPLATE ASSEMBLY (with hardwired cord) (ANSI/CSA)
7	115391	1	PLUG, Charger cutout

Section 6 – Electrical Related Parts



- 6.2 Electrical Panel Hardware Assembly (EE-Rated)
- 6.3 Main Manifold Harness
- 6.4 Rear Manifold Harness
- 6.5 Horn/Flashing Light and Tilt Switch Harnesses

- 6.6 Holding Valve, Charger Cutout, and Pressure Switch
- 6.7 Electrical Panel Powerdeck Modification
- 6.8 Elevate Telematics Harness



M146642AB1

SJIII 3220 SJIII 3226 SJIII 4620 SJIII 4626 SJIII 4632

SKYJACK

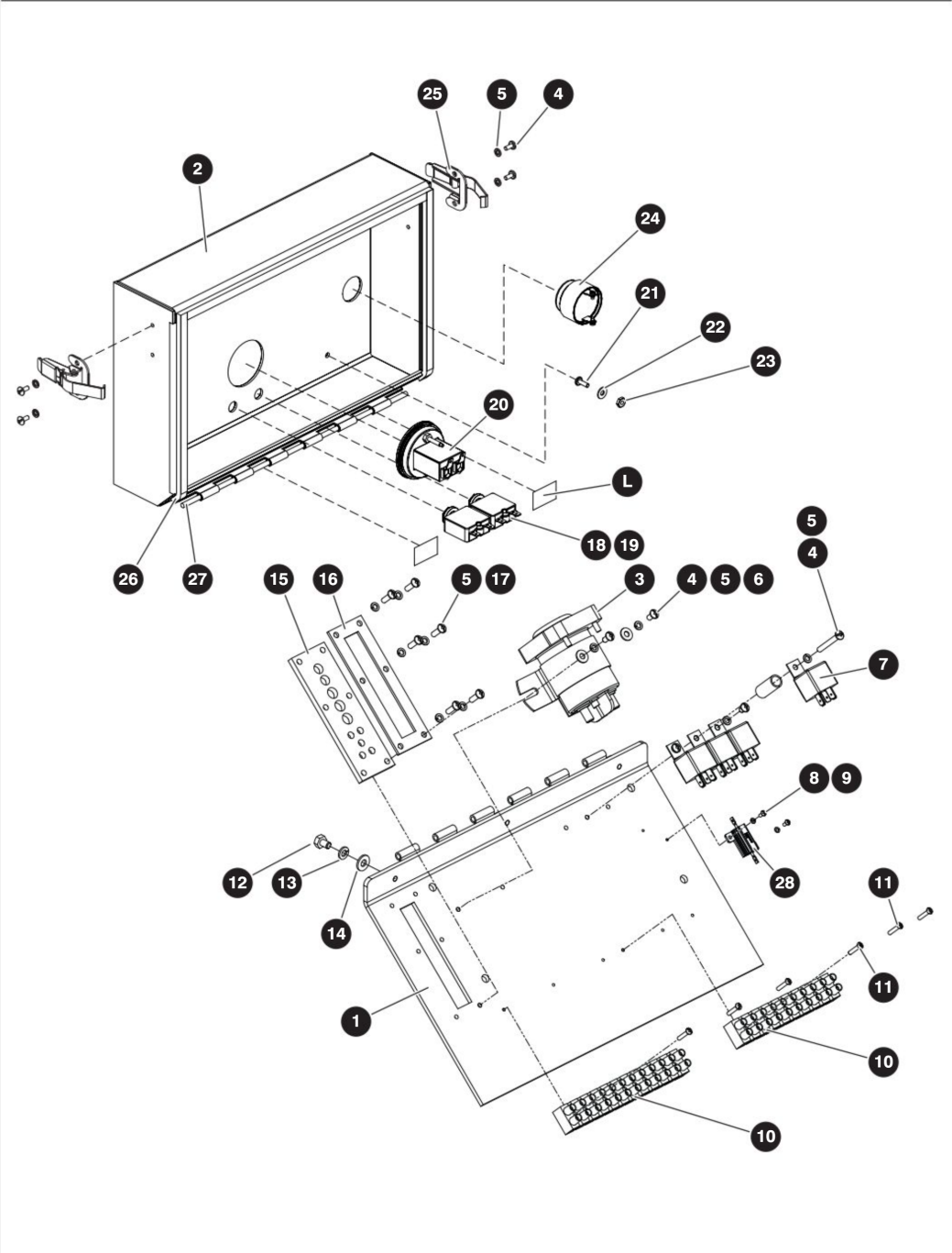
165974AL

6.1 Electrical Panel Hardware Assembly

Index No.	Skyjack Part No.	Qty.	Description
-	146641	-	ELECTRICAL PANEL PREWIRE ASSEMBLY <i>(For model SJIII 3220 with serial number 60006146 & Below)</i> <i>(For model SJIII 3226 with serial number 27028841 & Below)</i> <i>(For model SJIII 46xx with serial number 70028754 & Below)</i>
-	195907	-	ELECTRICAL PANEL PREWIRE ASSEMBLY <i>(For model SJIII 3220 with serial number 60006147 & Above)</i> <i>(For model SJIII 3226 with serial number 27028842 & Above)</i> <i>(For model SJIII 46xx with serial number 70028755 & Above)</i>
-	146642	-	• ELECTRICAL PANEL HARDWARE ASSEMBLY
1	132661	1	• • WELDMENT, Control panel
	112495	4	• • • BOLT, Hex head (1/4"-20 x 3/8", Gr. 5)
2	132794	1	• • CLAMP
3	125893	1	• • BUMPER, Rubber female
	103892	1	• • BOLT, Hex head (1/4"-20 x 5/8", Gr. 5)
	103995	1	• • WASHER, Flat (1/4")
	104000	1	• • WASHER, Lock (1/4")
	103980	1	• • NUT, Hex head (1/4"-20, Gr. 5)
4	125892	1	• • BUMPER, Rubber male
5	195940	1	• • HOURMETER, Digital
6	117325	2	• • CIRCUIT BREAKER (15 Amp)
7	146644	1	• • RESISTOR (30 Ohm, 25 watt)
	116066	2	• • SCREW, Round head machine (#4-40 x 1/2")
	116068	2	• • WASHER, Lock (#4)
	116067	2	• • NUT, Hex (#4-40)
8	108589	3	• • RELAY (24 volt)
9	116711	1	• • SPACER, Relay stand-off
10	112449	1	• • BOLT, Machine (1/4"-20 x 1", Gr. 5)
11	146475	1	• • CONTACTOR, Solenoid - hydraulic proportional control
	146475	1	• • CONTACTOR, Solenoid - Motor Controller/MC models
12	103962	4	• • SCREW, Round head machine (#10-32 x 1/2")
13	104003	5	• • NUT, Hex head (#10-32)
14	104185	3	• • WASHER, Lock (#10)
15	104694	2	• • WASHER, Flat (#10)
16	104546	1	• • SCREW, Round head (#10-32 x 2")
17	103057	1	• • BEEPER (4-28VDC)
18	103011	3	• • BLOCK, Terminal
	103956	8	• • SCREW, Round head (#6-32 x 1")
	103985	8	• • NUT, Hex head (#6-32)
19	147374	1	• • HARNESS, Ground ("02")
20	106099	1	• WASHER, Lock (#6)
21	(Ref.)	-	ELECTRICAL PANEL POWERDECK MODIFICATION (For components, refer to Section 6.7 Electrical Panel Powerdeck Modification)

6.2 Electrical Panel Hardware Assembly (EE-Rated)

AH



M147793AB

SJIII 3220 SJIII 3226 SJIII 4620 SJIII 4626 SJIII 4632

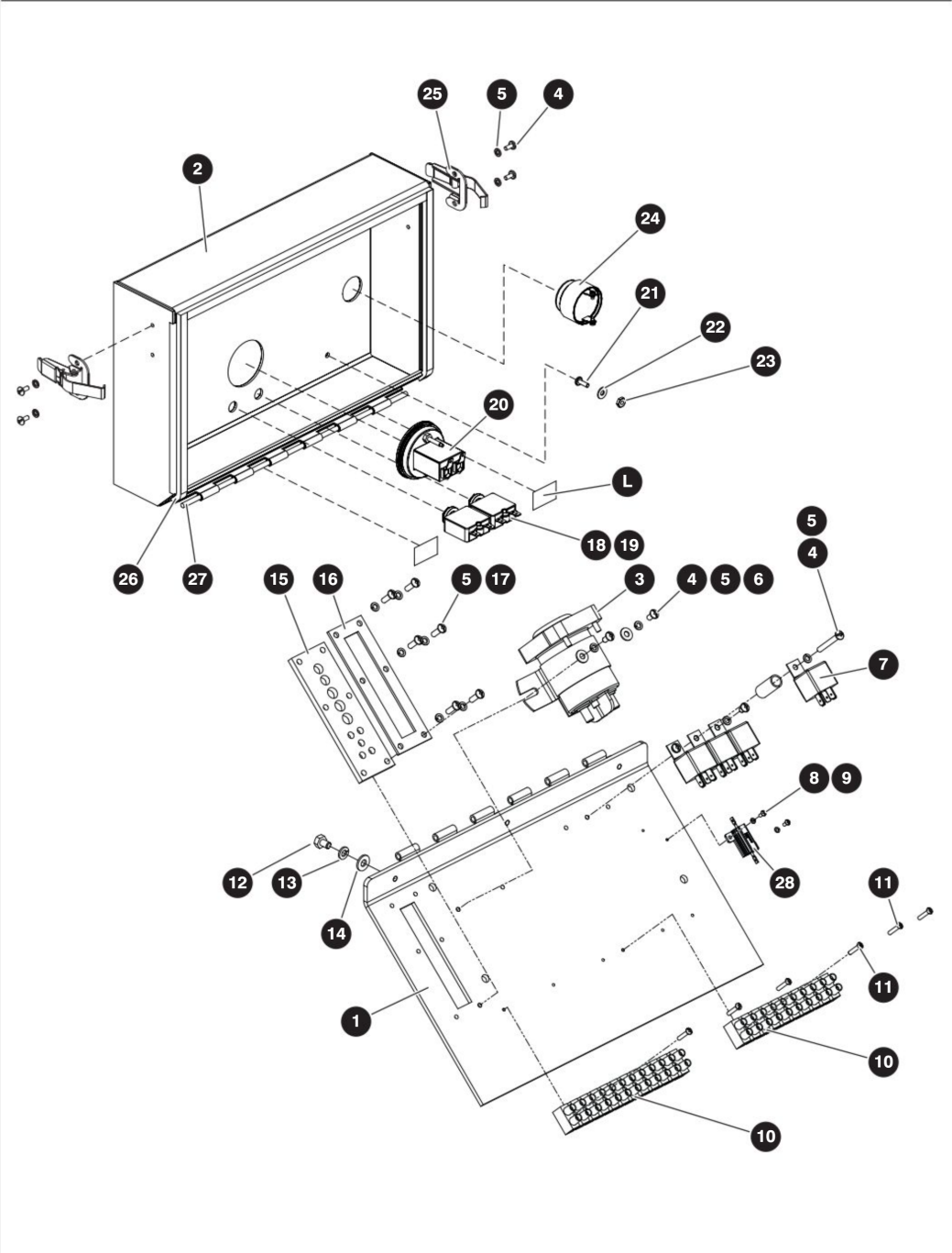
165974AL

6.2 Electrical Panel Hardware Assembly (EE-Rated)

Index No.	Skyjack Part No.	Qty.	Description
A	147793	-	ELECTRICAL PANEL HARDWARE ASSEMBLY <i>(For model SJIII 3220 with serial number 60007077 & Below)</i> <i>(For model SJIII 3226 with serial number 27032454 & Below)</i> <i>(For model SJIII 46xx with serial number 70032133 & Below)</i>
B	207945	-	ELECTRICAL PANEL HARDWARE ASSEMBLY <i>(For model SJIII 3220 with serial number 60007078 & Above)</i> <i>(For model SJIII 3226 with serial number 27032455 & Above)</i> <i>(For model SJIII 46xx with serial number 70032134 & Above)</i>
1	147981	1	• WELDMENT, Panel
2	147985	1	• WELDMENT, Panel box
3	146475	1	• CONTACTOR, Solenoid
4	115545	9	• SCREW, Round Hd machine - #10-32 x 3/8", A
	115545	6	• SCREW, Round Hd machine - #10-32 x 3/8", B
5	104185	15	• WASHER, Lock - #10
6	104694	2	• WASHER, Flat - #10
7	108589	3	• RELAY, Sealed - 24V, A
	108589	4	• RELAY, Sealed - 24V, B
8	125694	2	• SCREW, Round Hd machine - #4-40 x 1/4", A
	125694	3	• SCREW, Round Hd machine - #4-40 x 1/4", B
9	116068	2	• WASHER, Lock - #4
10	103011	2	• BLOCK, Terminal
11	103956	6	• SCREW, Round Hd machine - #6-32 x 1", A
	103955	6	• SCREW, Round Hd machine - #6-32 x 1", B
12	112495	3	• BOLT, Hex head - 1/4"-20 x 3/8", Gr. 5
13	104000	3	• WASHER, Lock - 1/4"
14	103995	3	• WASHER, Flat - 1/4"
15	147977	1	• GASKET (9 hole)
16	125613	1	• GASKET, Cover
17	120094	6	• SCREW, Round Hd machine - #10-32 x 5/8"
18	117325	2	• BREAKER, Circuit (15 amp)
19	117954	2	• WASHER, Seal - 7/16"
20	195940	1	• HOUR METER, Digital
21	103962	1	• SCREW, Round Hd machine - #10-32 x 1/2"
22	117952	1	• WASHER, Seal - #10
23	104003	1	• NUT, Hex Hd - #10-32
24	103057	1	• BEEPER (Slow pulse, 4-28VDC)
25	127821	2	• CLAMP, Hook
26	126783	32"	• RUBBER, Self-seal
27	126784	15"	• RUBBER, Self-seal

6.2 Electrical Panel Hardware Assembly (EE-Rated)

AH



M147793AB

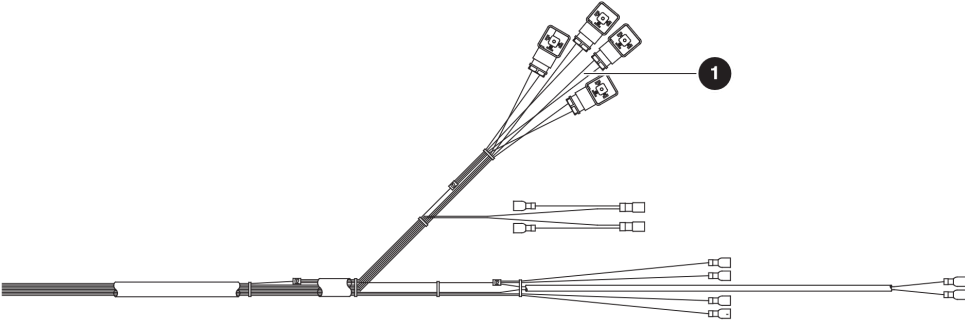
SJIII 3220 SJIII 3226 SJIII 4620 SJIII 4626 SJIII 4632

165974AL

6.2 Electrical Panel Hardware Assembly (EE-Rated)

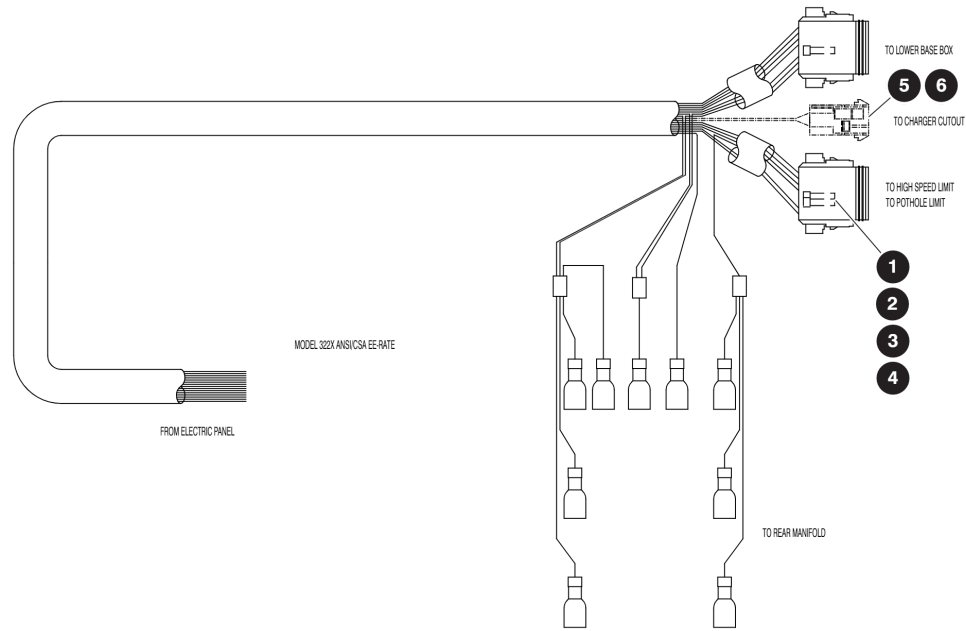
Index No.	Skyjack Part No.	Qty.	Description
28	146644	1	RESISTOR (30 ohms) <i>(For model SJIII 3220 with serial number 60004660 & Below)</i> <i>(For model SJIII 3226 with serial number 27020826 & Below)</i> <i>(For model SJIII 46xx with serial number 70020611 & Below)</i>
	168596	1	RESISTOR (25W-25 ohms) <i>(For model SJIII 3220 with serial number 60004661 & Above)</i> <i>(For model SJIII 3226 with serial number 27020827 & Above)</i> <i>(For model SJIII 46xx with serial number 70020612 & Above)</i>
L	(Ref.)	-	LABELS

6.3 Main Manifold Harness



M146669AA

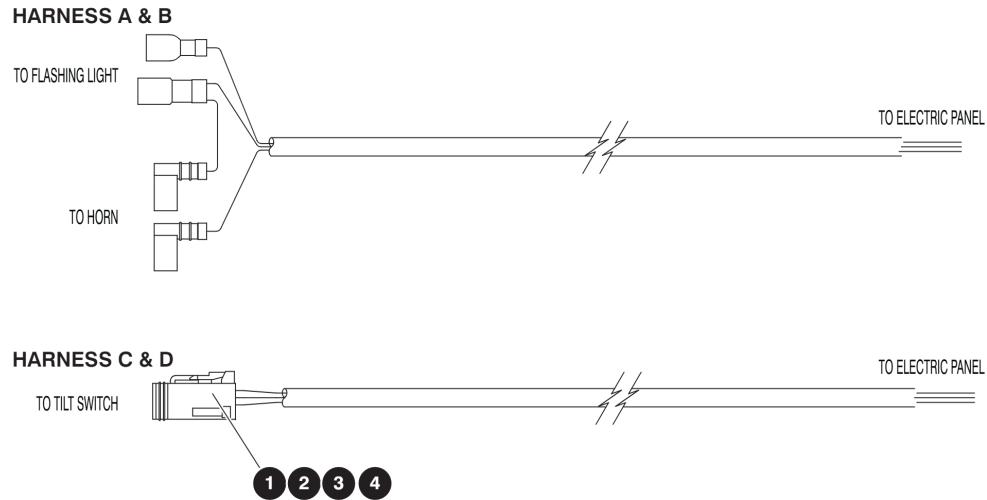
Index No.	Skyjack Part No.	Qty.	Description
-	146669	1	HARNESS, Main manifold
1	119825	4	<ul style="list-style-type: none"> • CONNECTOR, Solenoid (with diode)



M147979AD

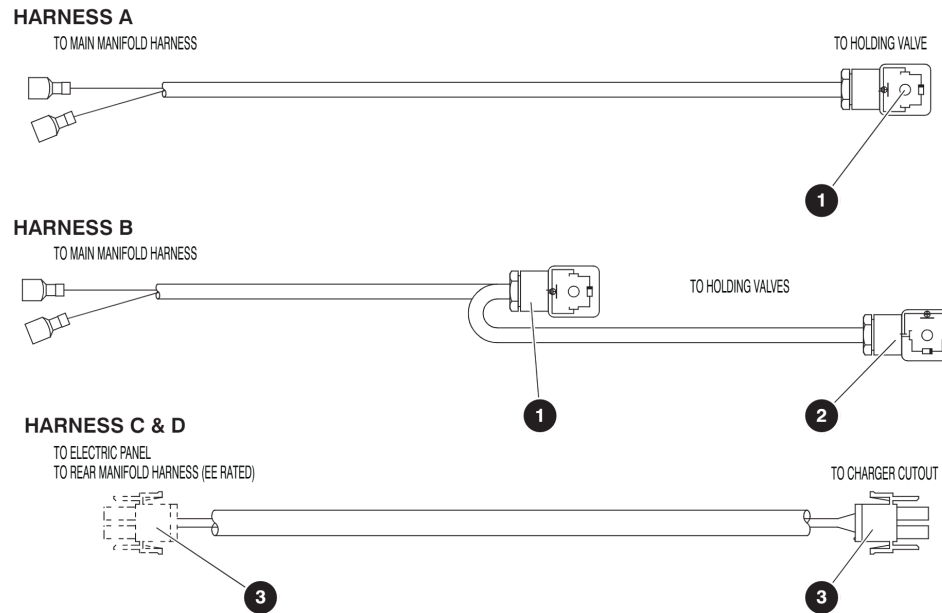
Index No.	Skyjack Part No.	Qty.	Description
A	149585	1	HARNESS, Rear manifold (ANSI/CSA)
B	147979	1	HARNESS, Rear manifold (ANSI/CSA EE rated) <i>(For model SJIII 3220 with serial number 600070787 & Below)</i> <i>(For model SJIII 3226 with serial number 27032454 & Below)</i> <i>(For model SJIII 46xx with serial number 70032133 & Below)</i>
C	204089	1	HARNESS, Rear manifold (ANSI/CSA EE rated) <i>(For model SJIII 3220 with serial number 60007078 & Above)</i> <i>(For model SJIII 3226 with serial number 27032455 & Above)</i> <i>(For model SJIII 46xx with serial number 70032134 & Above)</i>
1	117583	2	• CONNECTOR, Plug (8 pin)
2	117585	2	• CONNECTOR, Plug Wedge (8 pin)
3	117593	13	• CONNECTOR, Contact socket (14-16)
4	117594	3	• CONNECTOR, Sealing plug
5	115391	1	• RECEPTACLE, Female (2 pole), B
6	158476	1	• CONNECTOR, Plug - 6 Pin, C
	116989	2	• PIN, Male wire, B
	158477	1	• CONNECTOR, Plug - 6 Pin Wedge, C

6.5 Horn/Flashing Light and Tilt Switch Harnesses



M14658BAA

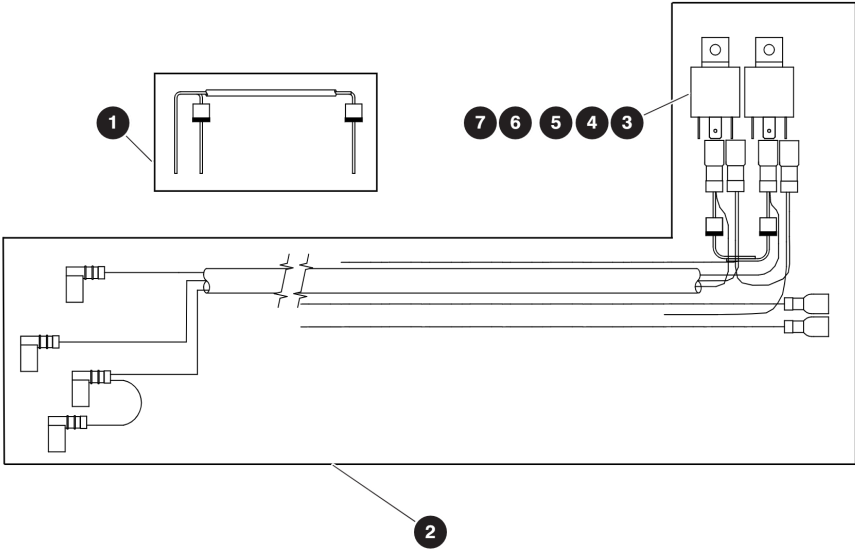
Index No.	Skyjack Part No.	Qty.	Description
A	146588	1	HARNESS, Horn/Flashing light
B	147988	1	HARNESS, Horn/Flashing light (ANSI/CSA EE rated)
C	146574	1	HARNESS, Tilt switch
D	147989	1	HARNESS, Tilt switch (ANSI/CSA EE rated)
1	117579	1	• CONNECTOR, Plug (4 pin)
2	117581	1	• CONNECTOR, Plug Wedge (4 pin)
3	117591	3	• CONNECTOR, Contact socket (16-18)
4	117594	2	• CONNECTOR, Sealing plug



M156375AC1

Index No.	Skyjack Part No.	Qty.	Description
A	129171	1	HARNES, Holding valve (Model SJIII 3220/4620)
B	129170	1	HARNES, Holding valve (Model SJIII 3226/4626/4632)
C	132869	1	HARNES, Charger cutout
D	157463	2	HARNES, Charger cutout (ANSI/CSA EE rated)
1	127315	1	<ul style="list-style-type: none"> CONNECTOR, Solenoid with diode, A, B
2	170593	1	<ul style="list-style-type: none"> CONNECTOR, Solenoid with diode, B
3	116992	1	<ul style="list-style-type: none"> CONNECTOR, Male plug (2 pin), C
	116992	2	<ul style="list-style-type: none"> CONNECTOR, Male plug (2 pin), D

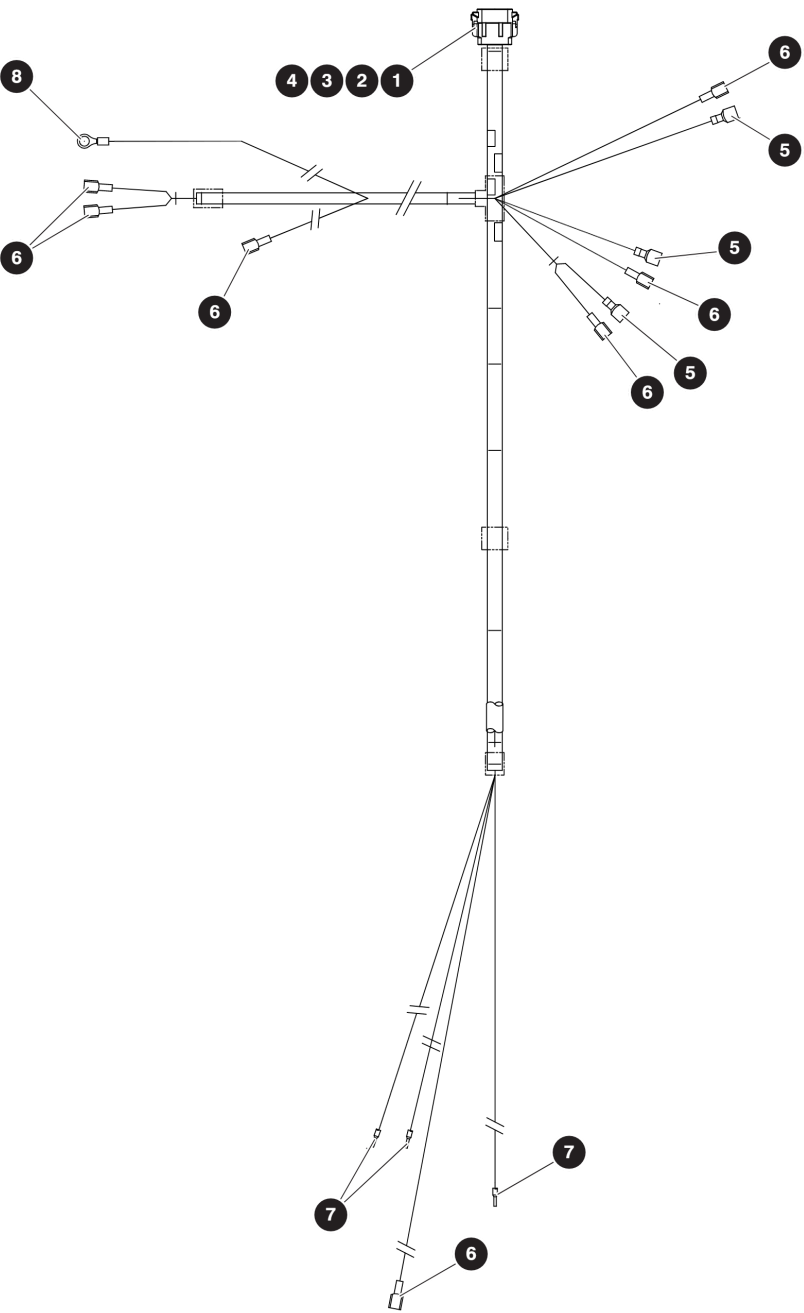
6.7 Electrical Panel Powerdeck Modification



M160493AC

Index No.	Skyjack Part No.	Qty.	Description
A	160818	1	MODIFICATION, Powerdeck Conversion (Standard) <i>(For model SJIII 3220 with serial number 60006146 & Below)</i> <i>(For model SJIII 3226 with serial number 27028841 & Below)</i> <i>(For model SJIII 46xx with serial number 70028673 & Below)</i>
B	195911	1	MODIFICATION, Powerdeck Conversion (Standard) <i>(For model SJIII 3220 with serial number 60006147 & Above)</i> <i>(For model SJIII 3226 with serial number 27028842 & Above)</i> <i>(For model SJIII 46xx with serial number 70028674 & Above)</i>
C	207911	1	MODIFICATION, Powerdeck Conversion (Inverter)
1	119520	1	• ASSEMBLY, 2 Diode (Long)
2	103257	42"	• CABTIRE (18/3)
3	108589	2	• RELAY, Sealed (24V)
4	117952	2	• WASHER, Seal - #10, C
5	104003	2	• NUT, Machine - #10-32 Gr. B, C
6	103962	2	• BOLT, Machine Hd Zinc - #10-32 x 1/2", C
7	104185	2	• WASHER, Lock Zinc - #10, C

6.8 Elevate Telematics Harness



M226433AB

SJIII 3220 SJIII 3226 SJIII 4620 SJIII 4626 SJIII 4632

SKYJACK

165974AL

6.8 Elevate Telematics Harness

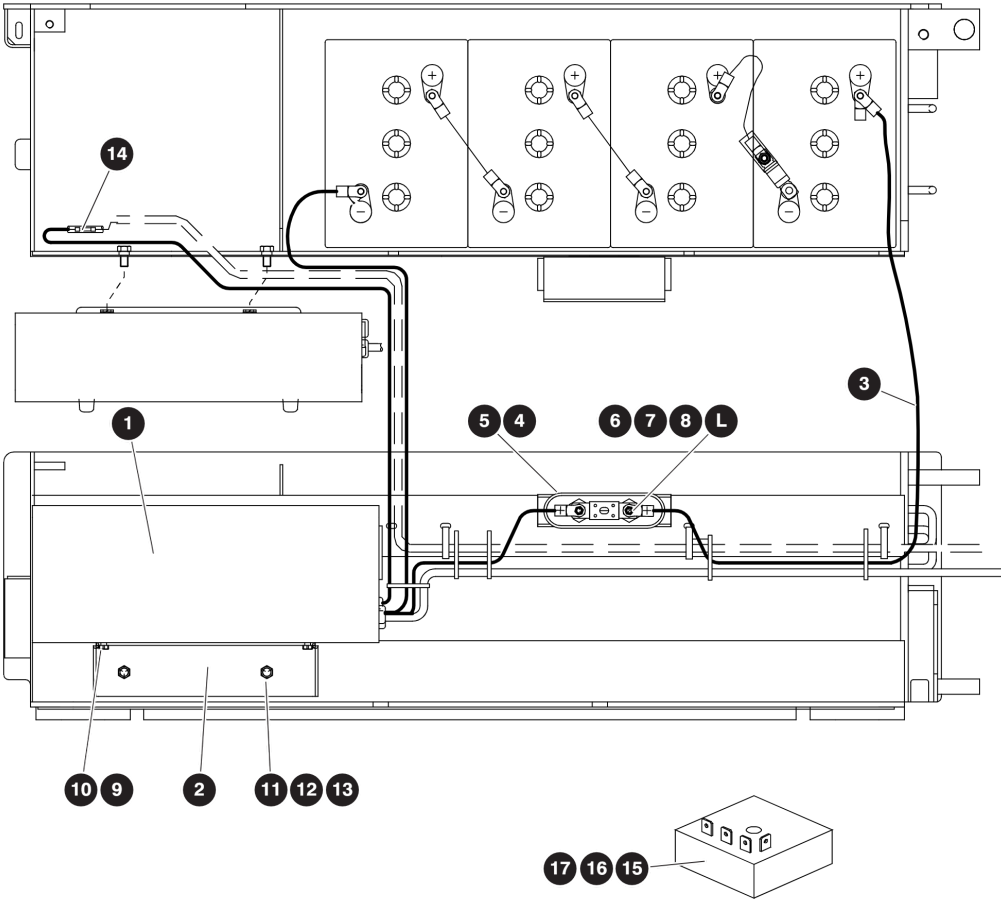
Index No.	Skyjack Part No.	Qty.	Description
-	226433	1	HARNESS ASM, Elevate19 Telematics
1	220611	1	• CONNECTOR, Deutsch DTM06-12S
2	220612	1	• CONNECTOR, Deutsch DTM06 Wedge
3	220613	9	• CONNECTOR, Contact Socket No. 20
4	156152	3	• SEALING PLUG, DRC Series
5	114594	3	• TERMINAL, Male - 18-22AWG Red
6	114595	7	• TERMINAL, Female - 18-22AWG Red
7	115401	3	• FERRULE, 18GA Red
8	120070	1	• TERMINAL, Ring - 18-22AWG Red

Section 7 – Optional Equipment



- 7.1 *24VDC Inverter Assembly (ANSI/CSA)*
- 7.2 *Inverter Assembly*
- 7.3 *Air Hose to Platform Assembly*
- 7.4 *Work Light Option (ANSI/CSA)*
- 7.5 *Flashing Amber Light Option*
- 7.6 *Dual Flashing Amber Light Option (Excluding EE-Rated)*
- 7.7 *Light Duty Pipe Rack Option*
- 7.8 *Black Logo Labels Option (Model 4626)*
- 7.9 *Board Carrier (Models 3226/4632 including EE-rated)*
- 7.10 *Tool Caddy*
- 7.11 *Heavy Duty Pipe Rack Assembly*
- 7.12 *Elevate Telematics*
- 7.13 *Secondary Guarding Lift Enable Kit*

7.1 24VDC Inverter Assembly (ANSI/CSA)



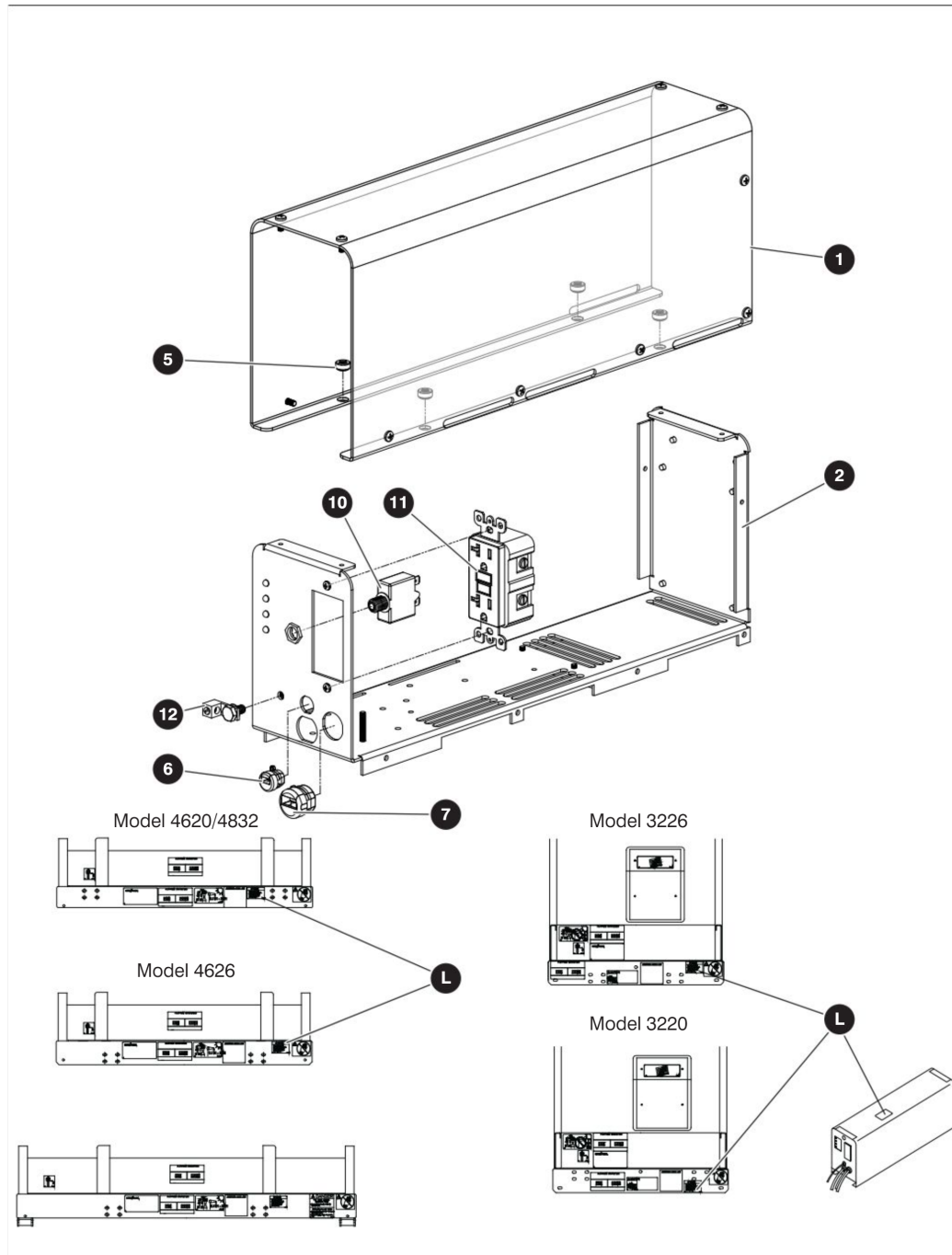
M115993AC

SJIII 3220 SJIII 3226 SJIII 4620 SJIII 4626 SJIII 4632

165974AL

7.1 24VDC Inverter Assembly (ANSI/CSA)

Index No.	Skyjack Part No.	Qty.	Description
-	135992	1	ASSEMBLY, Inverter Install
1	(Ref.)	1	• INVERTER, 24VDC (120VAC @ 60 Hz) (For components, refer to Section 7.2 Inverter Assembly)
2	129145	1	SUPPORT, Inverter (Welded Tank)
	210073	1	SUPPORT, Inverter (Plastic Tank)
3	159320	1	CABLE (1/4 x 30 x 5/16, #4GA)
4	119061	1	FUSE BOX, Cover
5	110853	2	BOLT, FHCS Zinc (1/4"- 20 x 0.63)
6	103068	2	INSULATOR, Fuse
7	146442	1	FUSE (100 Amp)
8	112495	2	BOLT, Hex head (1/4"-20 x 3/8", Gr. 5)
9	103855	4	BOLT, Hex head (1/4"-20 x 1/2", Gr. 5)
10	104000	4	WASHER, Luck (1/4")
11	103473	2	BOLT, Hex head (3/8"-16 x 1", Gr. 5)
12	104606	2	NUT, Hex lock (3/8"-16, Grade B)
13	103999	2	WASHER, Lock (1/4")
14	108503	1	CONNECTOR, Blue butt (#14-16)
15	137417	1	RELAY, Timer - On Delay
16	103860	1	BOLT, Hex head (1/4"-20 x 1.75", Gr. 5)
17	104000	1	WASHER, Luck (1/4")
18	130184	2	BUMPER, Inverter Support (Not Shown)
L	146454	1	LABEL, Inverter fuse (100 A)



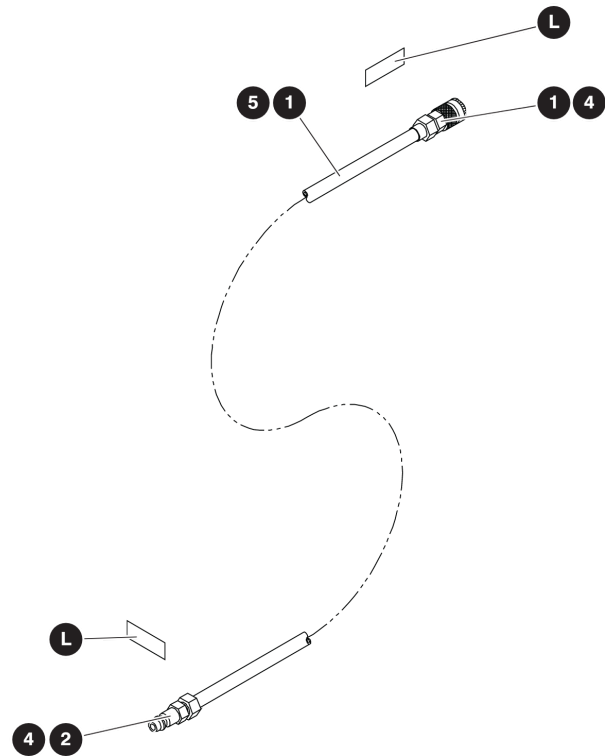
M10703AA_M135990AC

SJIII 3220 SJIII 3226 SJIII 4620 SJIII 4626 SJIII 4632

165974AL

Index No.	Skyjack Part No.	Qty.	Description
-	135990	1	ASSEMBLY, Inverter
1	199217	1	• PLATE, Cover - Flange-In
2	129855	1	• PLATE, Chassis - Flange-In
3	129862	1	• CAPACITOR (10 μ F, 230 VAC) (Not Shown)
4	199218	1	• CIRCUIT BOARD, Inverter (Not Shown)
5	199220	4	• SPACER, Aluminum (5/16" O.D.)
6	199222	1	• STRAIN RELIEF, 14/2 to 10/3
7	199223	1	• STRAIN RELIEF, Straight (7/8" Mount)
8	129861	1	• FAN, 80 CMF (Not Shown)
9	199226	1	• BREAKER, Thermal (15A)
10	129860	1	• TRANSFORMER, XFMR (Not Shown)
11	129856	1	• GFCI, Faceless (20A)
12	199212	1	• BONDING LUG, Inverter
13	199213	1	• POWER CORD, A/C - Inverter
L	130115	2	LABEL, Inverter Switch

7.3 Air Hose to Platform Assembly



M10199AA

SJIII 3220 SJIII 3226 SJIII 4620 SJIII 4626 SJIII 4632

SKYACK

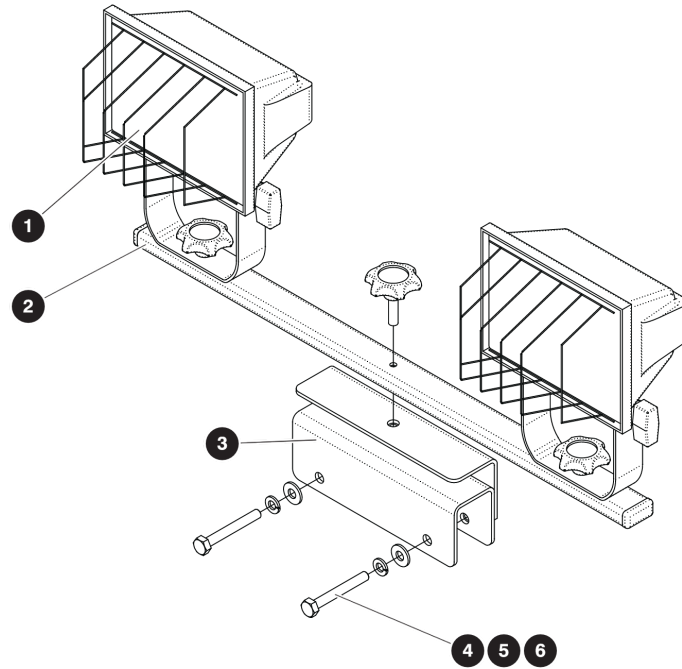
165974AL

147

7.3 Air Hose to Platform Assembly

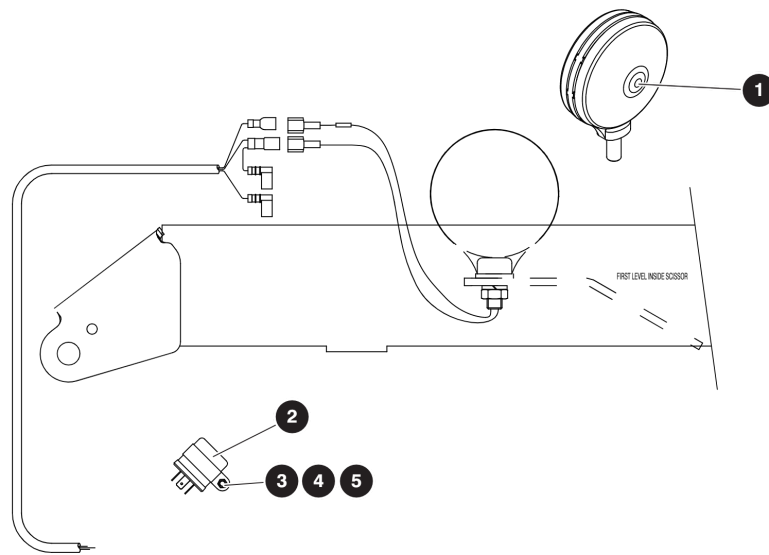
Index No.	Skyjack Part No.	Qty.	Description
A	130351	1	AIR TO PLATFORM HOSE ASSEMBLY (<i>Model SJIII 3220/4620</i>)
B	130352	1	AIR TO PLATFORM HOSE ASSEMBLY (<i>Model SJIII 3226/4626</i>)
C	130353	1	AIR TO PLATFORM HOSE ASSEMBLY (<i>Model SJIII 4632</i>)
1	107882	1	• FITTING, Female disconnect
2	107883	1	• FITTING, Male disconnect
3	107884	324"	• HOSE, Air (1/2"), A
	107884	396"	• HOSE, Air (1/2"), B
	107884	666"	• HOSE, Air (1/2"), C
4	109050	2	• FITTING, Hose barb
5	107886	2	• CLAMP, Hose
L	138212	2	LABEL, Connect air here

7.4 Work Light Option (ANSI/CSA)



M137979AB

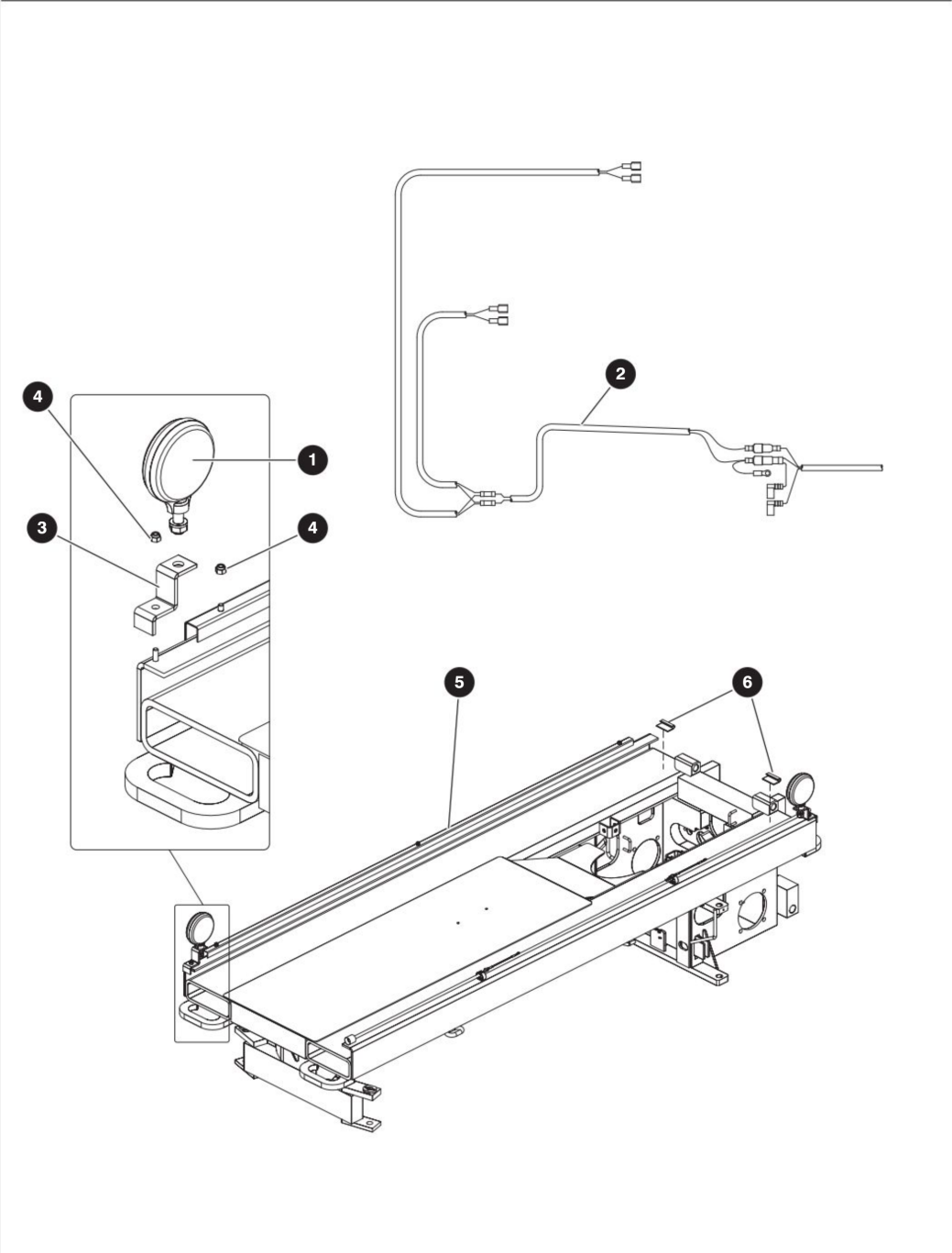
Index No.	Skyjack Part No.	Qty.	Description
-	137979	-	WORK LIGHT ASSEMBLY (ANSI/CSA)
1	141732	2	• BULB, Halogen (150 watt, 78 mm)
2	141701	1	• WORK LIGHT, Dual halogen (250 watt)
3	138050	1	• BRACKET, Work light
4	103861	2	• BOLT, Hex head (1/4"-20 x 2", Gr. 5)
5	104000	2	• WASHER, Lock (1/4")
6	103995	2	• WASHER, Flat (1/4")



M147348AA_3

Index No.	Skyjack Part No.	Qty.	Description
			NOTE Part Numbers followed by a "" indicate dark grey painted parts.
-	147348	1	FLASHING AMBER LIGHT OPTION (ANSI/CSA)
-	147990	1	FLASHING AMBER LIGHT OPTION (ANSI/CSA EE rated)
1	126111	1	• LIGHT, Beacon (24 volt)
	121533	1	• • LENS, Amber
	146153	1	• • BULB
2	103743	1	• FLASHER (12, 24 volt)
3	132793	1	• CLAMP, Plastic (1.25")
4	103962	1	• BOLT, Machine (#10-32 x 1/2")
5	104003	1	• NUT, Machine (#10-32, Grade B)

7.6 Dual Flashing Amber Light Option (Excluding EE-Rated)




M134622AB

SJIII 3220 SJIII 3226 SJIII 4620 SJIII 4626 SJIII 4632

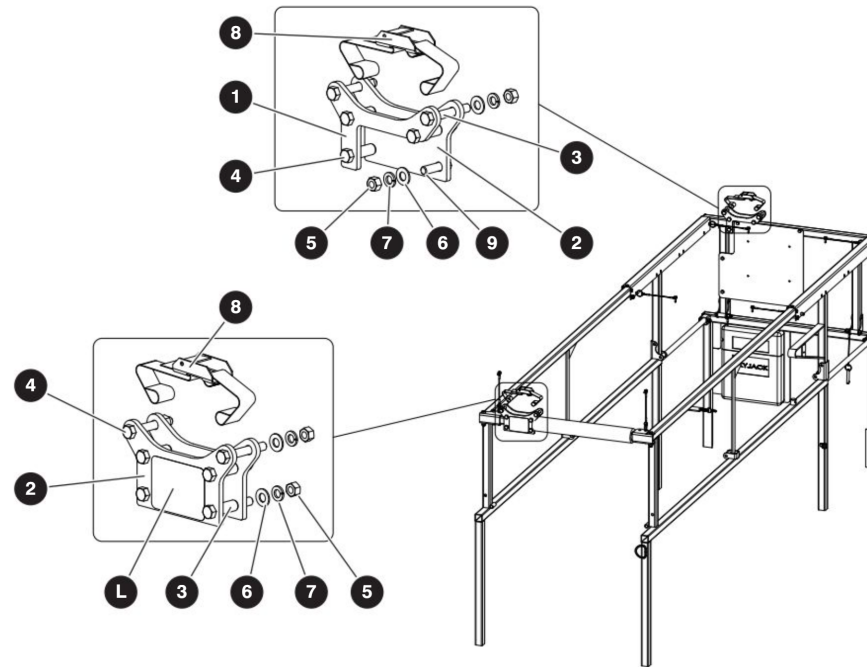
165974AL

7.6 Dual Flashing Amber Light Option (Excluding EE-Rated)

Index No.	Skyjack Part No.	Qty.	Description
			 NOTE <i>Part Numbers followed by a ^{***} indicate dark grey painted parts.</i>
1	126111	2	FLASHING AMBER LIGHT ASSEMBLY
	121477	1	• LIGHT, Beacon
	121533	1	• • LENS, Amber
	146153	1	• • BULB (24 volt)
2	134587	1	HARNES, Dual flashing light
3	156695	2	BRACKET, Flashing light
4	115649	5	NUT, Hex nylon lock (1/4"-20, Gr. 5)
5	134660	1	GUARD, Cable (Modified)
6	108791	2	CLIP, Cord (Adhesive back)

7.7 Light Duty Pipe Rack Option

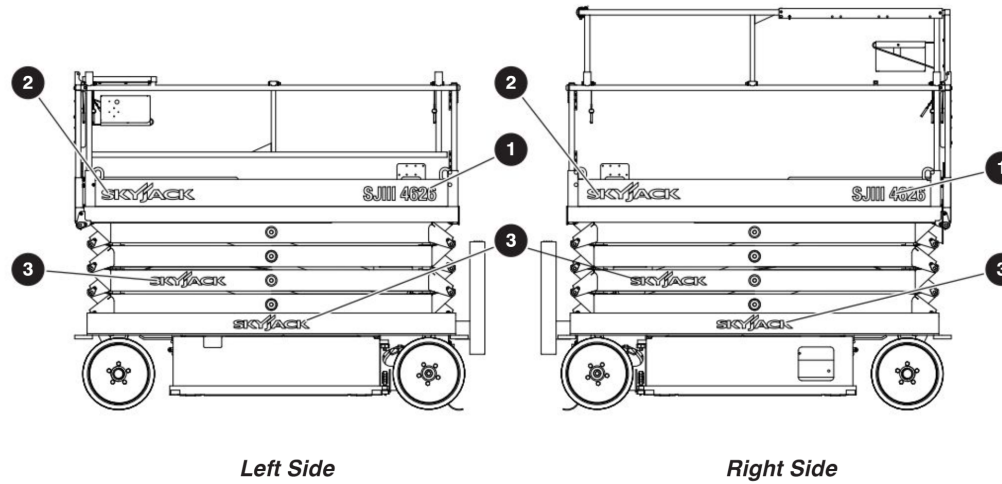
AG



M159226AA_2

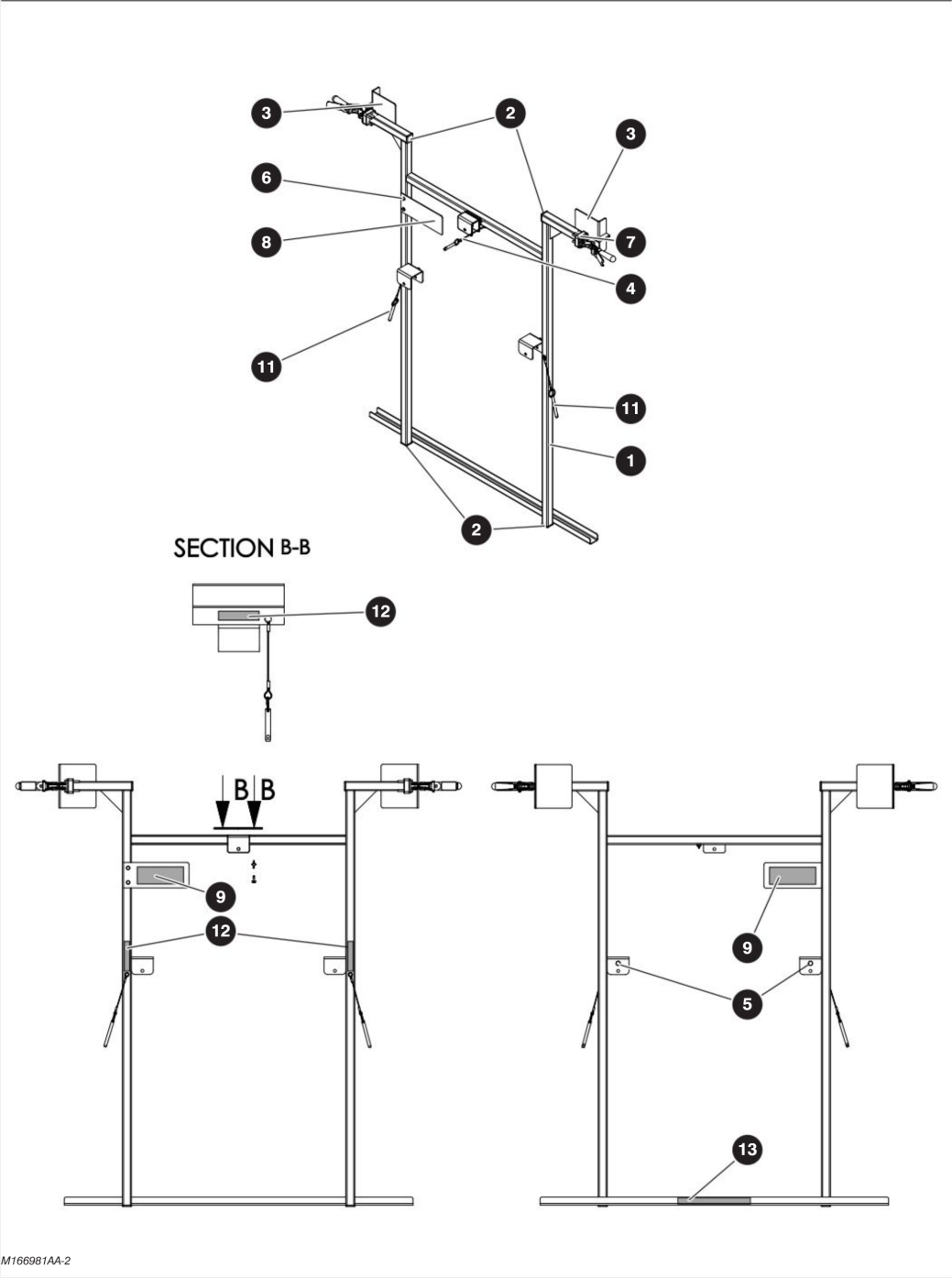
Index No.	Skyjack Part No.	Qty.	Description
-	159226	1	LD PIPE RACK ASSEMBLY <i>(Cannot be used on Full Gate Machines)</i>
A	154727	1	• LD PIPE RACK, Front Mount
B	154726	1	• LD PIPE RACK, Rear Mount
1	133593	1	• • PLATE, Pipe rack, A
2	133594	1	• • PLATE, Pipe rack, A
		2	• • PLATE, Pipe rack, B
3	133598	3	• • SPACER, A
		4	• • SPACER, B
4	103873	5	• • BOLT, Hex head (3/8"-16 x 2.5", Gr. 5), A
		6	• • BOLT, Hex head (3/8"-16 x 2.5", Gr. 5), B
5	103978	6	• • NUT, Hex head (3/8"-16)
6	103472	6	• • WASHER, Flat (3/8")
7	103999	6	• • WASHER, Lock (3/8")
8	130359	1	• • STRAP, Cam buckle
9	101297	1	• • BOLT, Hex head (3/8"-16 x 1.25", Gr. 5), A
L	172468	3	• LABEL
10	125122	1	• INSTRUCTIONS, Light Duty Pipe Racks - ANSI/CSA <i>(Not Shown)</i>

7.8 Black Logo Labels Option (Model 4626)



M166830AA

Index No.	Skyjack Part No.	Qty.	Description
-	166830	1	BLACK LOGO LABELS OPTION (Model SJIII 4626)
1	161107	2	LABEL, SJIII 4626 (Black)
2	161118	2	LABEL, SKYJACK (Black - 20")
3	166828	4	LABEL, SKYJACK (Black - 17")



M166981AA-2

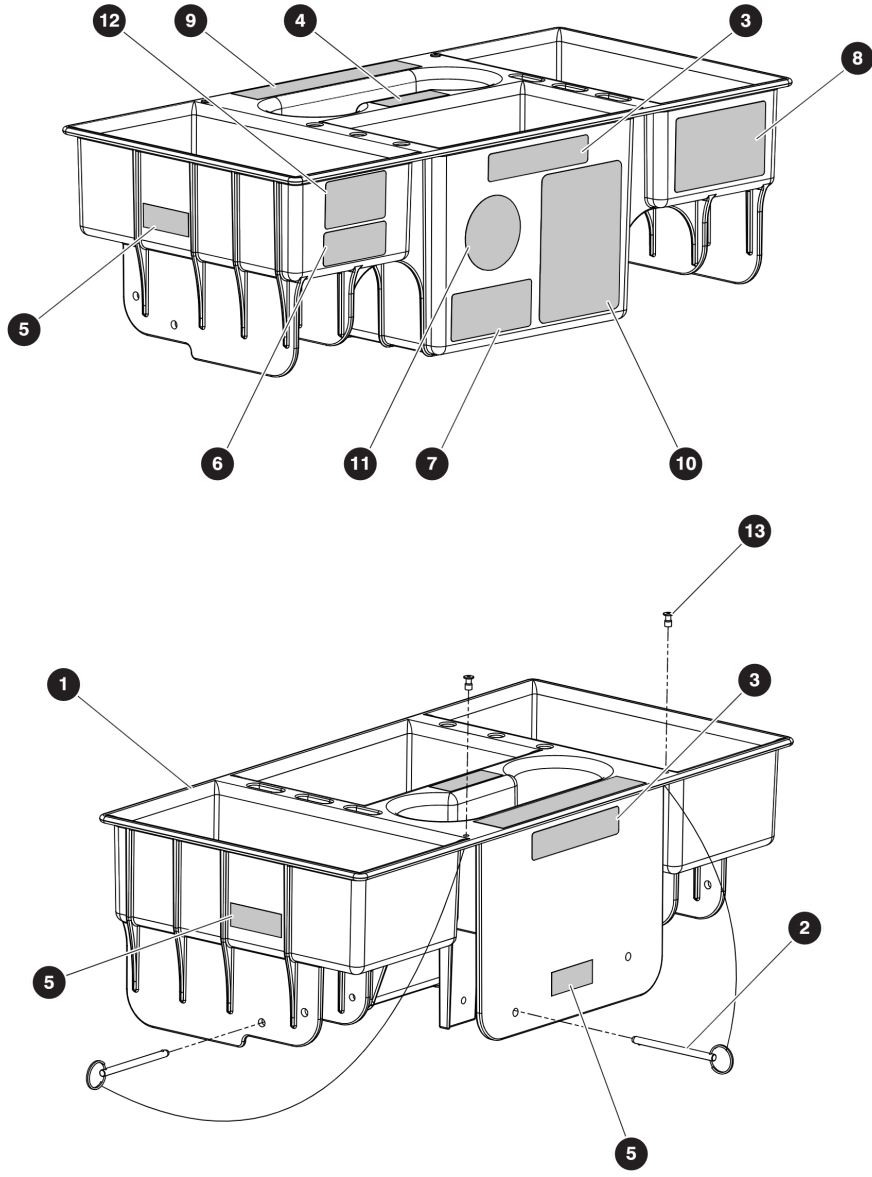
SJIII 3220 SJIII 3226 SJIII 4620 SJIII 4626 SJIII 4632

165974AL

7.9 Board Carrier (Models 3226/4632 including EE-rated)

Index No.	Skyjack Part No.	Qty.	Description
-	166981	-	BOARD CARRIER OPTION (<i>Models 3226/4632 including EE-rated</i>)
1	166982	1	• WELDMENT, Board Carrier
2	100702	4	• CAP, End - Plastic
3	143674	2	• WELDMENT, Clamp with Holder
4	124547	1	• ASSEMBLY, Quick Release Pin - Small Loop
5	101297	2	• BOLT, Hex Hd (0.375"-16 x 1.250" Gr 5)
6	103632	5	• SCREW, Hex Hd - Self Tap (0.250"-14 x 0.75")
7	103941	12	• BOLT, SHCS (0.250"-20 x 0.750")
8	166989	1	• PLATE, Label Mount
9	166983	2	• LABEL, Board Carrier (ANSI/CSA)
10	166984	1	• INSTRUCTIONS, Board Carrier (ANSI/CSA)
11	167235	2	• ASSEMBLY, Pin - Detent (1/8" x 3")
12	167220	3	• LABEL, QR Pin Installation
13	167221	1	• LABEL, Max Capacity 100 lbs (45 Kg)

7.10 Tool Caddy



M204334AA_7

SJIII 3220 SJIII 3226 SJIII 4620 SJIII 4626 SJIII 4632

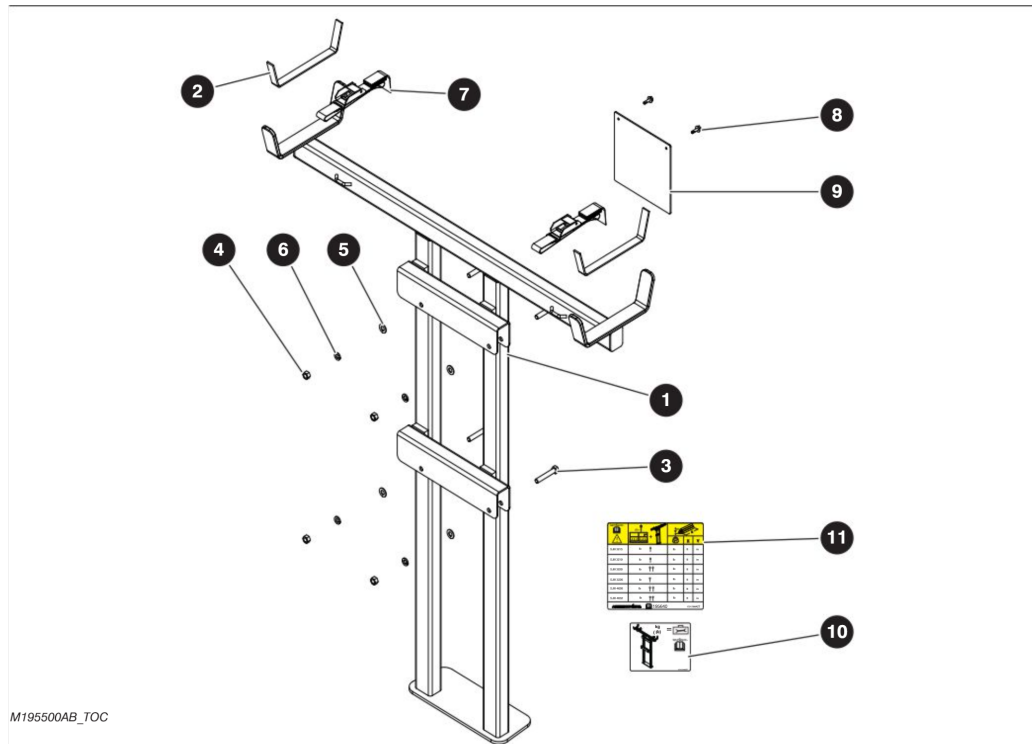
SKYJACK

165974AL

7.10 Tool Caddy

Index No.	Skyjack Part No.	Qty.	Description
-	211271	-	TOOL CADDY SUBGROUP
-	204334	1	• TOOL CADDY ASSEMBLY
1	198945	1	• • TOOL CADDY TRAY
2	198965	2	• • PIN, Quick Release - 1/4" x 3.2" (With Lanyard)
3	172293	2	• • LABEL, Skyjack Logo 5" White
4	172294	1	• • LABEL, Skyjack Logo 3" White
5	168421	3	• • LABEL, Keep In Lock Position - Vertical
6	172245	1	• • LABEL, Tool Caddy Weight
7	172246	1	• • LABEL, Tool Caddy Pin Location
8	172247	1	• • LABEL, Tool Caddy Location
9	172292	1	• • LABEL, Accessoryzers 7" White
10	172298	1	• • LABEL, Tool Caddy Model Serial Numbers
11	172299	1	• • LABEL, Do Not Block Exit/Entrance
12	172297	1	• • LABEL, Danger Of Falling Tools Drive Slowly
13	116161	2	• • POP RIVET, 3/16" x 0.565" - SS Small Flange Dome Hd
14	204306	1	• INSTRUCTIONS, Tool Caddy Installation (Not Shown)

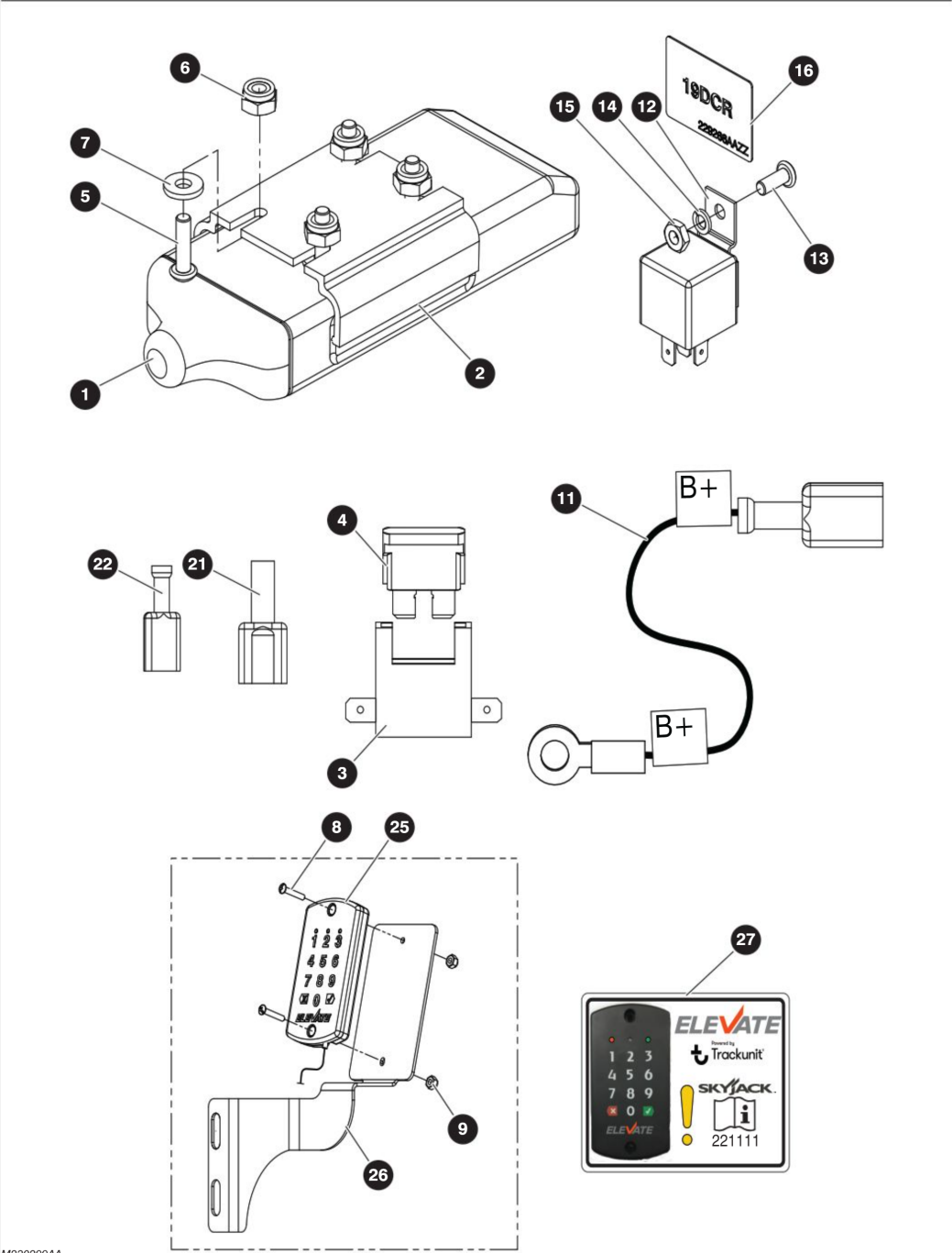
7.11 Heavy Duty Pipe Rack Assembly



M195500AB_TOC

Index No.	Skyjack Part No.	Qty.	Description
-	195829	1	DC Pipe-Rack Assembly
-	195500	1	• DC Pipe Rack NA Kit
1	195499	1	• • WELDMENT, DC Pipe Rack
2	195289	2	• • STRIP, Protector
3	103872	4	• • BOLT, Hex head (3/8"-16 x 2.250, Gr. 5)
4	103978	4	• • NUT, Hex (3/8"-16 Gr. 5)
5	103472	4	• • WASHER, Flat (3/8")
6	103999	4	• • WASHER, Lock (3/8")
7	195346	2	• • STRAP, Nylon Tie Down Flat Hook
8	103632	2	• • BOLT, Flat head cap screw (10-32 x 1.75". Gr. 5)
9	171733	1	• • PLATE, LABEL
10	172172	1	• LABEL, Heavy Duty Pipe Rack Weight
11	172176	1	• LABEL, Heavy Duty Pipe Rack Capacity ANSI
12	195640	1	• INSTRUCTION, DC HD Pipe Rack ANSI (Not Shown)

7.12 Elevate Telematics



M230299AA

SJIII 3220 SJIII 3226 SJIII 4620 SJIII 4626 SJIII 4632

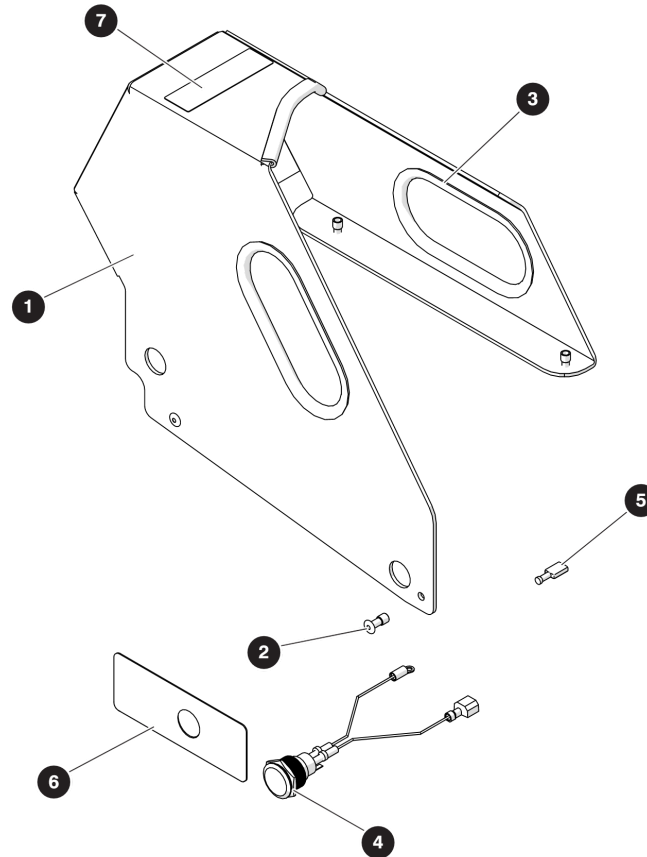
SKYJACK

165974AL

7.12 Elevate Telematics

Index No.	Skyjack Part No.	Qty.	Description
A	230302	1	SERVICE KIT, ELEVATE TELEMATICS - CONVENTIONALS
B	230299	1	SERVICE KIT, ELEVATE TELEMATICS - CONVENTIONALS (WITH KEYPAD)
-	213098	1	• CONTROL UNIT GROUP, Track Unit
1	(Ref.)	1	• CONTROL UNIT
2	(Ref.)	1	• BRACKET, Control Unit
3	(Ref.)	1	• FUSE HOLDER
4	(Ref.)	1	• FUSE, 1 AMP
-	230303	1	• TELEMATICS ASM, Install Parts
5	114678	4	• SCREW, Round Head Machined - #6-32 x 1/2"
6	196306	4	• NUT, Nylon Lock - #6-32 Gr. 5
7	191833	4	• WASHER, Flat - #6
8	112248	2	• BOLT, Round Head Machine - #8-32 x 1", B
9	138765	2	• NUT, Nylon Lock - #8-32 Gr. 5 Zinc, B
10	226433	1	• HARNESS, Track Unit (Not Shown)
11	220577	1	• WIRE ASSEMBLY, B+
12	220619	1	• RELAY ASM, Motor Contactor Cut Off
13	103962	1	• BOLT, Machined Head/Zinc - #10-32 x 1/2"
14	104185	1	• WASHER, Lock/Zinc - #10
15	104003	1	• NUT, Machined - #10-32 Gr. B
16	229266	1	• LABEL, 19DCR
17	102891	10	• TIE WRAP CABLE, 5-3/8" (Not Shown)
18	103995	2	• WASHER, Flat - 1/4", B
19	115649	1	• NUT, Nylon Lock - 1/4"-20 Gr. 5, B
20	103856	1	• BOLT, Hex Head Nylon - 1/4"-20 x 3/4" Gr. 5, B
21	114594	1	• TERMINAL, Male - 18-22 AWG
22	114595	1	• TERMINAL, Female - 18-22 AWG - Red
23	229265	1	• INSTRUCTIONS, Elevate Telematics - SJIII (Not Shown)
24	221111	1	• INSTRUCTIONS, OP-Telematics Track Unit (English) (Not Shown) , B
25	213099	1	• KEYPAD, Track Unit, B
26	226214	1	• BRACKET, Keypad - Track Unit, B
27	173002	1	• LABEL, Equipped with Keypad, B

7.13 Secondary Guarding Lift Enable Kit



M220497AA

Index No.	Skyjack Part No.	Qty.	Description
A	220787	1	SECONDARY GUARDING SERVICE KIT
B	220786	1	SECONDARY GUARDING WITH SHROUD SERVICE KIT
1	161240	1	• GUARD, Control box, B
2	157759	6	• RIVET, Pop (0.188" x 0.565")
3	194731	30"	• GUARD, Ee, B
4	220498	1	• BUTTON, Push
5	105359	1	• TERMINAL, F blade (0.25" 14-16G)
6	172788	1	• LABEL, SGLE Enable switch
7	172926	1	• LABEL, SGLE
8	220559	1	• INSTRUCTION, SGLE Installation (not shown), A
	220556	1	• INSTRUCTION, SGLE Installation - Incl Shroud (not shown), B

Section 8 – Labels

- 8.1 *Label Kit*
- 8.2 *Labels - Platform Control Console*
- 8.3 *Labels - Miscellaneous*
- 8.4 *Labels - Left & Right Sides (Chassis)*
- 8.5 *Labels - Chassis (Front & Top)*
- 8.6 *Labels - Rear (Scissor and Platform)*
- 8.7 *Labels - Rear (Chassis)*

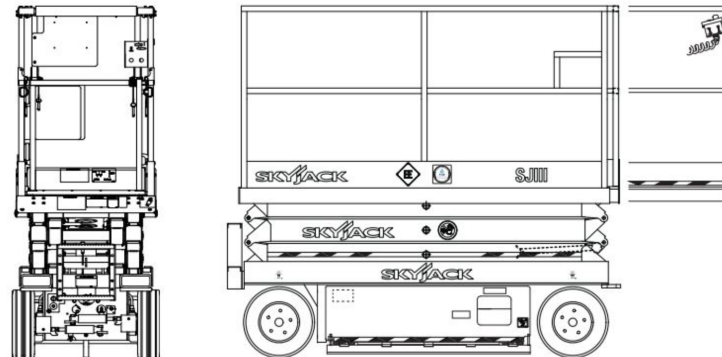
8.1 Label Kit

The label kit, 166939, contains all of the labels required for a complete standard machine, with the exception of:

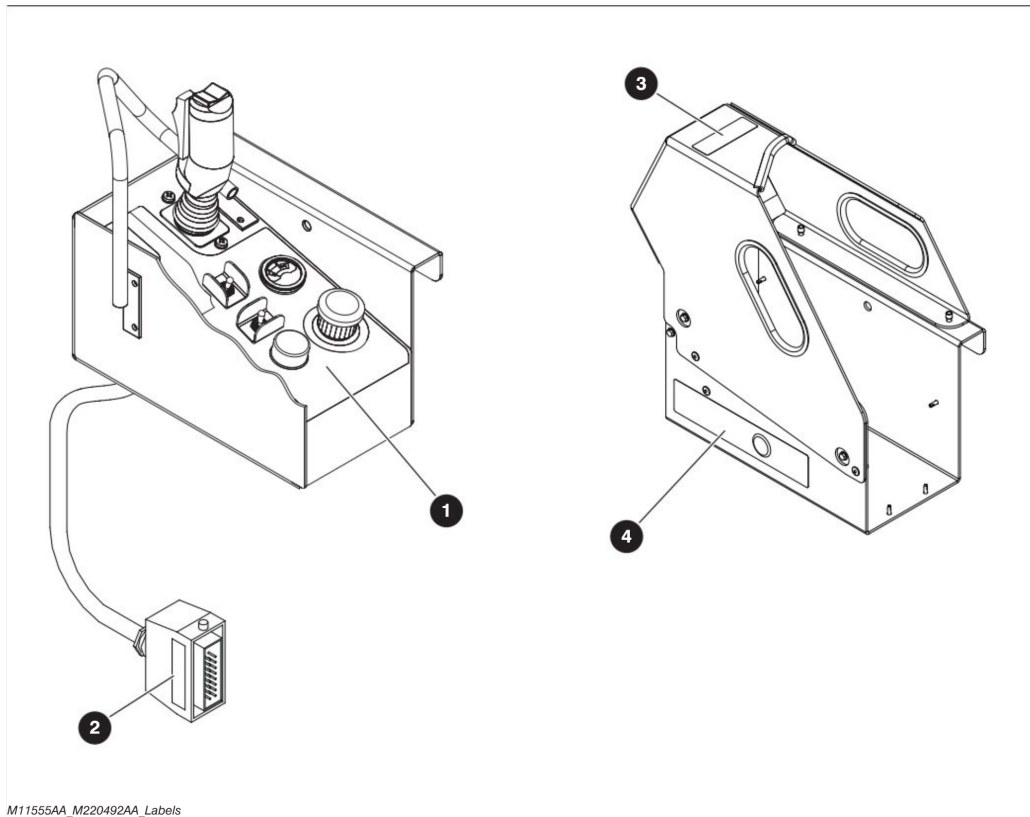
- Serial number plates
- Name plate
- Stripes
- Platform capacity labels
- Model designations
- Side force/no wind
- Safety tape
- All special options

Contact Skyjack Parts to order those labels individually.

Supply the model number, country and language when ordering label kits.

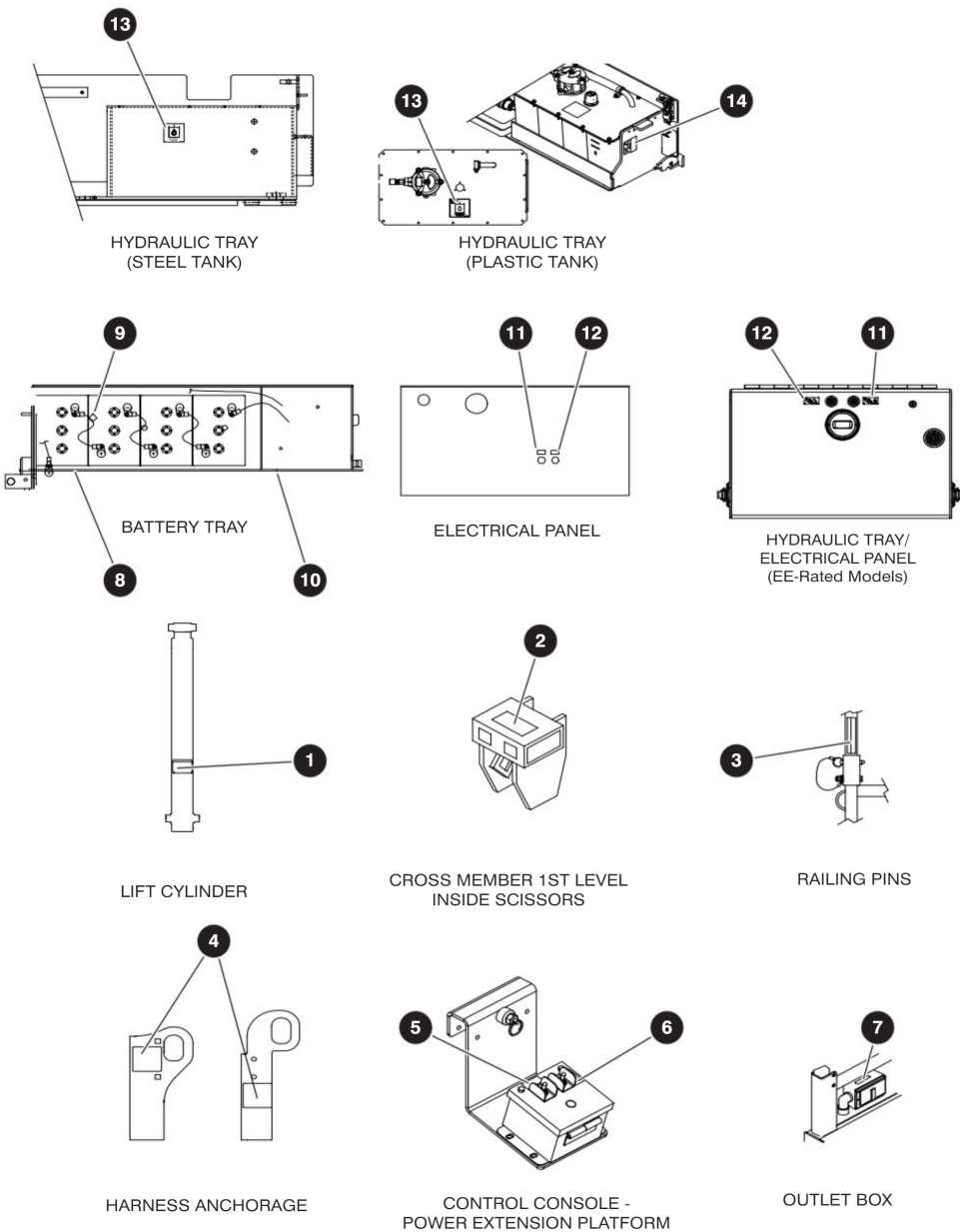


8.2 Labels - Platform Control Console



M11555AA_M220492AA_Labels

Index No.	Skyjack Part No.	Qty.	Description
1	156885	1	LABEL, Platform control console
2	118711	2	LABEL, Hydraulic proportional
3	172926	1	LABEL, SGLE
4	172788	1	LABEL, SGLE ENABLE



M11027AF

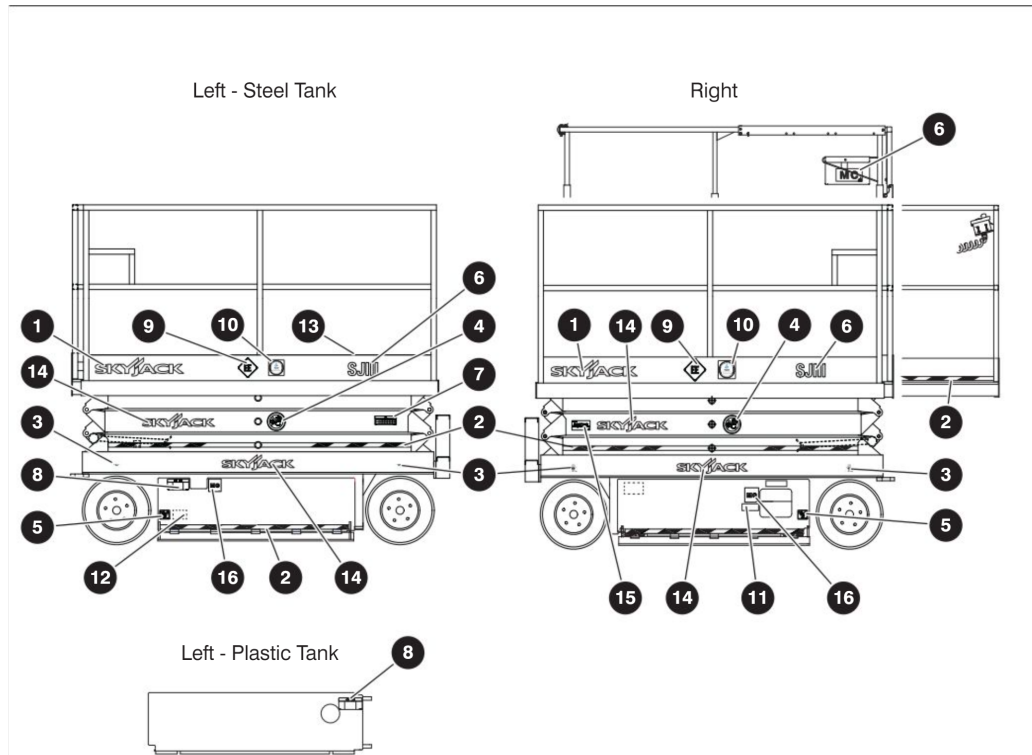
SJIII 3220 SJIII 3226 SJIII 4620 SJIII 4626 SJIII 4632

165974AL

Index No.	Skyjack Part No.	Qty.	Description
1	157792	2	LABEL, Orifice decal
2	159665	1	LABEL, Emergency lowering procedure <i>(Model SJIII 3220) (Not included in kit)</i>
	158914	1	LABEL, Emergency lowering procedure <i>(Model SJIII 3226/46xx)(Not included in kit)</i>
3	126056	2	LABEL, Warnin 1 - 144 g, falling hazard (Vertical) <i>(Not included in kit)</i>
	126057	10	LABEL, Warning, falling hazard (Horizontal) <i>(Model SJIII 322x) (Not included in kit)</i>
	126057	12	LABEL, Warning, falling hazard (Horizontal) <i>(Model SJIII 46xx) (Not included in kit)</i>
4	130018	6	LABEL, Safety lanyard
5	132004	1	LABEL, Enable (Powered extension platform) <i>(Not included in kit)</i>
6	132003	1	LABEL, Platform extend/retract(Powered extension platform) <i>(Not included in kit)</i>
7	138211	1	LABEL, Connect AC supply here
	123274	1	LABEL, 110 VAC <i>(EE rated) (Not included in kit)</i>
8	137278	1	LABEL, 300A Fuse (battery tray)
9	137276	1	LABEL, 300A +Warning (In-line fuse)
10	126032	1	LABEL, Warning "Wood Spacers" (U2200)
	126220	1	LABEL, Warning "Wood Spacers" (U2500)
11	117389	1	LABEL, Push to reset ground
12	117387	1	LABEL, Push to reset powered
13	102961	1	LABEL, Standard Oil
	161565	1	LABEL, Bio Oil
14	172425	1	LABEL, Hydraulic Oil Level - Small

8.4 Labels - Left & Right Sides (Chassis)

AH



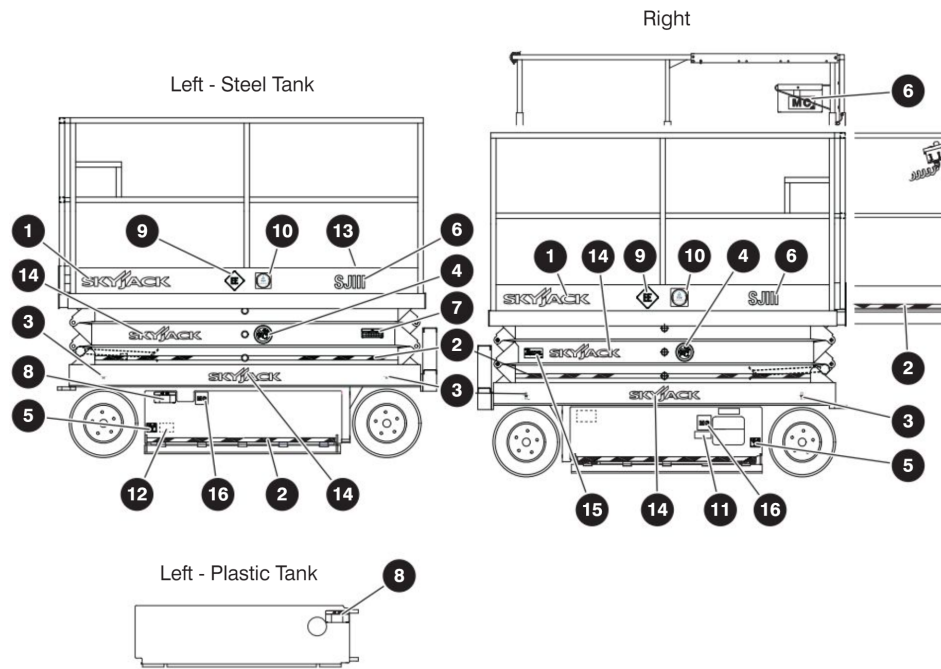
160091AH_right-PM_ANSI

Index No.	Skyjack Part No.	Qty.	Description
1	158554	2	LABEL, SKYJACK LOGO (20")
2	119803	AR	TAPE, Caution (1") <i>(Not included in kit)</i>
3	132396	4	LABEL, Wheel load <i>(Model SJIII 322x) (Not included in kit)</i>
	132394	4	LABEL, Wheel load <i>(Model SJIII 46xx) (Not included in kit)</i>
	162569	4	LABEL, Wheel load <i>(Model SJIII 4632) (Not included in kit)</i>
4	139855	2	LABEL, Stay away
5	119866	2	LABEL, Danger pinch hand/foot
6	159532	2	LABEL, Model designation <i>(Model SJIII 3220) (Not included in kit)</i>
	159535	2	LABEL, Model designation <i>(Model SJIII 3226) (Not included in kit)</i>
	161839	2	LABEL, Model designation <i>(Model SJIII 4620) (Not included in kit)</i>
	159538	2	LABEL, Model designation <i>(Model SJIII 4626) (Not included in kit)</i>
	159541	2	LABEL, Model designation <i>(Model SJIII 4632) (Not included in kit)</i>

SJIII 3220 SJIII 3226 SJIII 4620 SJIII 4626 SJIII 4632

165974AL

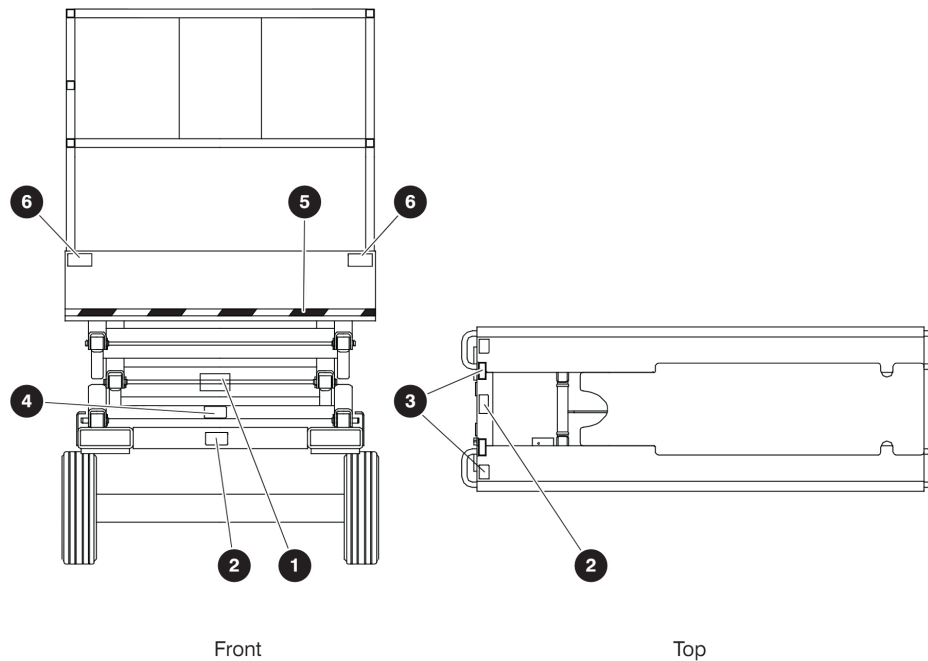
8.4 Labels - Left & Right Sides (Chassis)



160091AH_right-PM_ANSI

Index No.	Skyjack Part No.	Qty.	Description
7	156441	1	LABEL, Annual inspection
8	159665	1	LABEL, Emergency lowering procedure <i>(Model SJIII 3220/4620)(Not included in kit)</i>
	158914	1	LABEL, Emergency lowering procedure <i>(Model SJIII 3226/4632)(Not included in kit)</i>
9	104589	2	LABEL, EE (EE rated) <i>(Not included in kit)</i>
10	154588	2	LABEL, TUV (EE rated) <i>(Not included in kit)</i>
11	154872	1	LABEL, Warning, do not disconnect <i>(EE rated) (Not included in kit)</i>
12	102961	1	LABEL, "Use Hydraulic Oil ATF Dextron III"
13	138211	1	LABEL, Connect AC supply here
14	158536	4	LABEL, SKYJACK LOGO (white - 17")
15	172060	1	LABEL, Consignment Stock <i>(Not included in kit)</i> (if equipped)
16	171949	2	LABEL, MC (4" x 4") (if equipped)
17	171948	1	LABEL, MC (6.5" x 3") (if equipped)

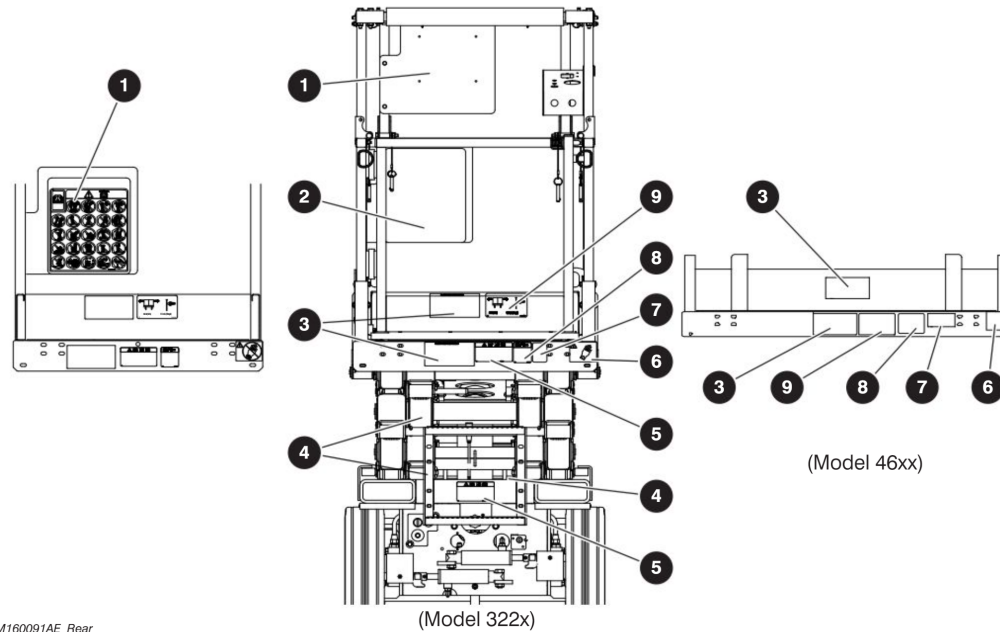
8.5 Labels - Chassis (Front & Top)



M11000AM_PM

Index No.	Skyjack Part No.	Qty.	Description
1	158908	1	LABEL, Maintenance bar procedure
2	124767	2	LABEL, Lift point/tie down
3	102896	2	LABEL, Forklift boot
4	127711	1	LABEL, Place safety bar here
5	119803	AR	TAPE, Caution (1") (Not included in kit)
6	137988	2	LABEL, Crush/pinch/hazard

8.6 Labels - Rear (Scissor and Platform)

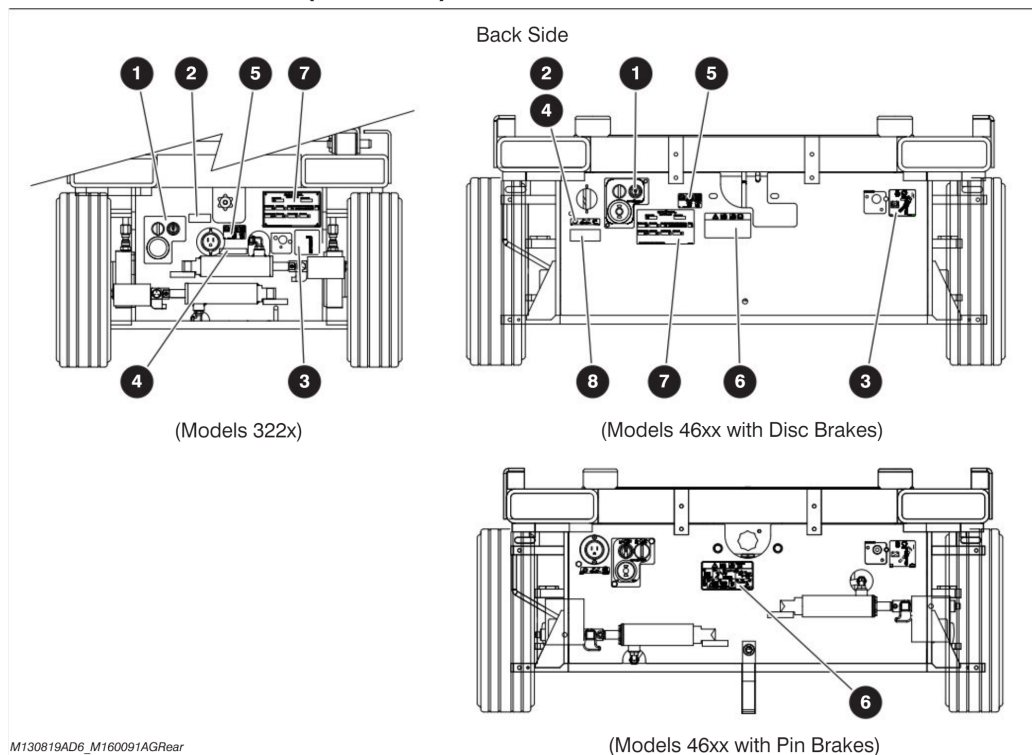


M160091AE_Rear

Index No.	Skyjack Part No.	Qty.	Description
1	158913	1	LABEL, Danger/Warning (On Plate)
	172267	1	LABEL, Danger/Warning (On Manual Box)
2	123628	1	LABEL, Manual enclosed
3	130373	2	LABEL, Platform capacities (Manual extension) (Model SJIII 3220)
	130374	2	LABEL, Platform capacities (Powered extension) (Model SJIII 3220)
	130318	2	LABEL, Platform capacities (Model SJIII 3226)
	132334	2	LABEL, Platform capacities (Model SJIII 4620)
	130315	2	LABEL, Platform capacities (Model SJIII 4626)
	132333	2	LABEL, Platform capacities (Model SJIII 4632)
4	156613	3	LABEL, Do not alter
5	158910	2	LABEL, Towing, pushing procedure (Model SJIII 32xx) (Not included in kit)
6	124362	1	LABEL, Do not wear jewelry
7	146022	1	LABEL, California proposition 65 warning (Not included in kit)
8	158912	1	LABEL, Daily maintenance checklist
9	124465	1	LABEL, Side force/outdoor (Model SJIII 32xx/46xx) (Not included in kit)

8.7 Labels - Rear (Chassis)

AH



M130819AD6_M160091AGRear

Index No.	Skyjack Part No.	Qty.	Description
1	146443	1	LABEL, Base control
2	138212	1	LABEL , Connect Air Supply (if equipped) (Not included in kit)
3	119674	1	LABEL, Emergency main power disconnect
4	138211	1	LABEL, Connect platform AC supply
5	158911	1	LABEL, Free wheeling valve
6	158909	1	LABEL, Tow, push procedure - Disc Brake (Models 46xx) (Not included in kit) (For model SJIII 46xx with serial number 70032758 & Below)
	158910	1	LABEL, Tow, push procedure - Pin Brake (Models 46xx) (Not included in kit) (For model SJIII 46xx with serial number 70032759 & Above)
7	(Ref.)	-	NAMEPLATE, Serial number (Contact factory) (All serial # nameplate labels are not included in kit)
8	123274	2	LABEL, AC connection in hazardous locations (EE rated) (Not included in kit)

Section 9 – Fluids



9.1 Fluid Table

9.1 Fluid Table

Fluid Table				
Location	Capacity (Liters)	Capacity (Gallons)	Fluid Type	Skyjack Part Number
Hydraulic Tank	24	5.8	ATF Dexron III	119309
			Shell Naturelle HF - E 32	157138

1079AC

APPENDIX A
Motor Controller Option

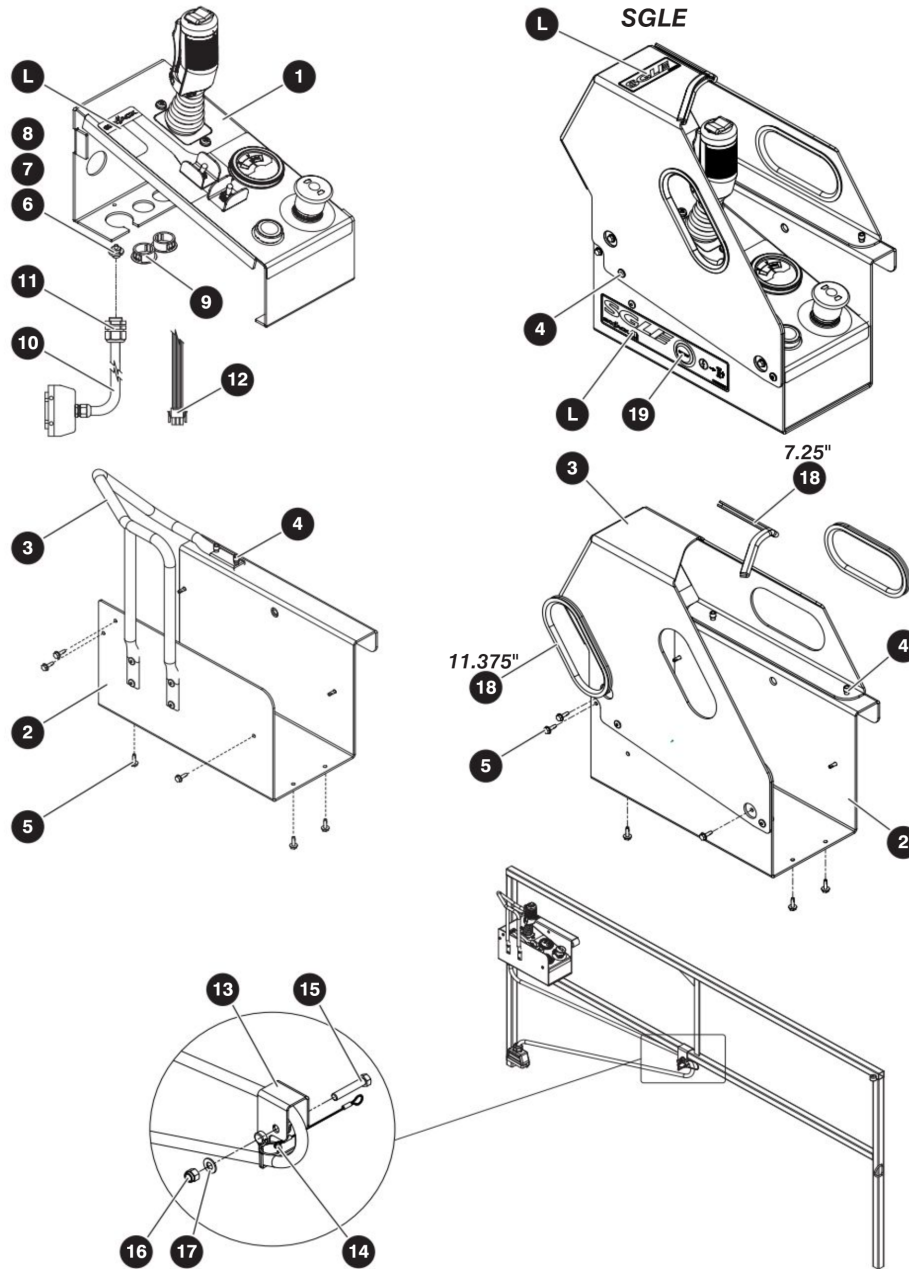
This section is based on Serial Number(s):

SJIII 3220 60 004 852 & Above
SJIII 3226 27 021 943 & Above
SJIII 46xx 70 021 720 & Above

Please refer to the website www.skyjack.com for older Serial Numbers.

Section 10 – Appendix A - Motor Controller

- 10.1 Platform Control Console Assembly
- 10.2 Platform Control Box (Top)
- 10.3 Enable Controller Assembly
- 10.4 Hydraulic/Electrical Tray Assembly - Welded Tank
- 10.5 Hydraulic/Electrical Tray Assembly - Plastic Tank
- 10.6 Hydraulic Tank Lid Assembly - Welded Tank
- 10.7 Hydraulic Tank Lid Assembly - Plastic Tank
- 10.8 Motor/Pump Assembly - Plastic Tank
- 10.9 Main Manifold Assembly - Welded Tank
- 10.10 Main Manifold Assembly - Plastic Tank
- 10.11 Hydraulic/Electrical Tray Assembly - Welded Tank
- 10.12 Hydraulic Hose Connections - Plastic Tank
- 10.13 Electrical Panel, Hardware and Wire Kit
- 10.14 RST Wire Assemblies
- 10.15 Main Manifold Harness
- 10.16 Rear Manifold Harness
- 10.17 Charger, Horn/Flashing Lights, Tilt Switch Harnesses
- 10.18 Control Cable Assemblies
- 10.19 Powerdeck Conversion Kit - Motor Controller



M166804AB_2

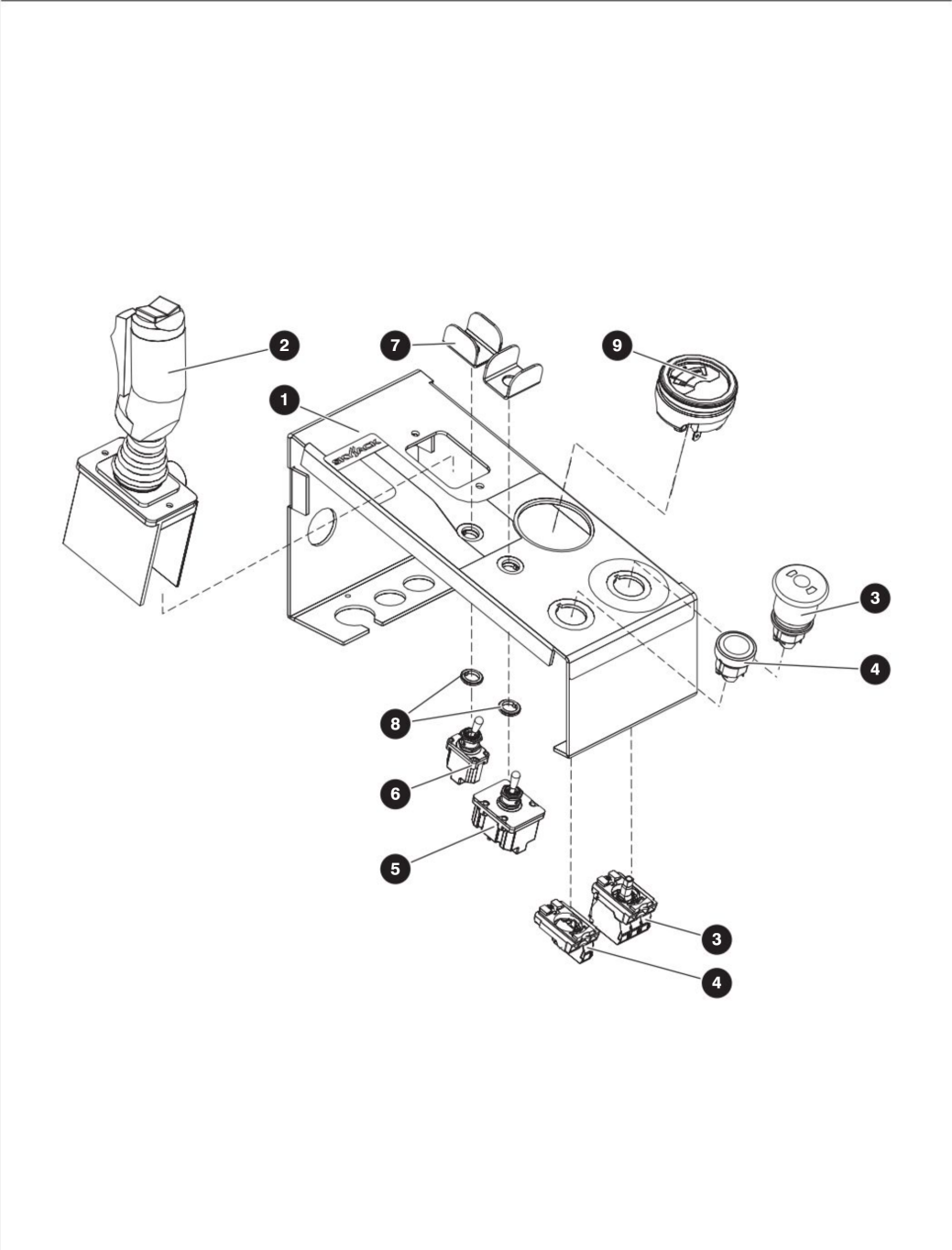
SJIII 3220 SJIII 3226 SJIII 4620 SJIII 4626 SJIII 4632

SKYJACK

165974AL

10.1 Platform Control Console Assembly

Index No.	Skyjack Part No.	Qty.	Description
A	163167	-	CONTROL BOX
B	164704	-	CONTROL BOX, P.DECK
C	163404	-	CONTROL BOX (LONG CABLE)
D	194761	-	CONTROL BOX, P.DECK (LONG CABLE)
E	163487	-	CONTROL BOX, ALUMINUM GUARD
F	212203	-	CONTROL BOX, ALUMINUM GUARD - P.DECK
G	194322	-	CONTROL BOX, ALUMINUM GUARD (LONG CABLE)
H	211862	-	CONTROL BOX, ALUMINUM GUARD - P.DECK (LONG CABLE)
I	232553	-	CONTROL BOX, ALUMINUM GUARD - SGLE
J	232559	-	CONTROL BOX, ALUMINUM GUARD - P.DECK SGLE
K	232552	-	CONTROL BOX, ALUMINUM GUARD - SGLE (LONG CABLE)
L	232561	-	CONTROL BOX, ALUMINUM GUARD - P.DECK SGLE (LONG CABLE)
1	(Ref.)	-	<ul style="list-style-type: none"> CONTROL CONSOLE (TOP) (For components, refer to Section 10.2 Platform Control Box (Top))
2	160355	1	<ul style="list-style-type: none"> PLATE, Outside - Control Box, A, B, C, D
	147372	1	<ul style="list-style-type: none"> PLATE, Outside - Control Box, E, F, G, H, I, J, K, L
3	160262	1	<ul style="list-style-type: none"> TUBE, Control Box, A, B, C, D
	161240	1	<ul style="list-style-type: none"> PLATE, Guard - Control Box, E, F, G, H, I, J, K, L
4	120948	6	<ul style="list-style-type: none"> RIVET, Pop - 3/16" x .440", A, B, C, D
	157759	4	<ul style="list-style-type: none"> RIVET, Pop - 3/16" x 1/2"-3/8", E, F, G, H, I, J, K, L
5	112327	9	<ul style="list-style-type: none"> SCREW, Hex head self tapping - #8-18 x 1/2"
6	103404	1	<ul style="list-style-type: none"> WASHER, Lock - 5/16"
7	103986	1	<ul style="list-style-type: none"> NUT, Hex head - #8-32
8	103957	1	<ul style="list-style-type: none"> SCREW, Round head machine - #8-32 x 1/2"
9	102956	2	<ul style="list-style-type: none"> PLUG - 7/8" hole
10	(Ref.)	-	<ul style="list-style-type: none"> CONTROL CABLE ASSEMBLY (16 pin) (For components, refer to Section 10.19 Control Cable Assemblies)
11	300788	1	<ul style="list-style-type: none"> STRAIN RELIEF
12	116993	1	<ul style="list-style-type: none"> HOUSING, Male connector (9 pin) (to controller harness)
13	158209	1	<ul style="list-style-type: none"> CLAMP, Control cable railing,
14	213139	1	<ul style="list-style-type: none"> QUICK RELEASE PIN, Large Loop,
	160265	1	<ul style="list-style-type: none"> PIN, Wire Lock
	160320	1	<ul style="list-style-type: none"> RING, Lanyard
	105807	1	<ul style="list-style-type: none"> LANYARD, 6"
15	103596	1	<ul style="list-style-type: none"> BOLT, Hex head - 3/8"-16 x 2", Gr. 5,
16	104606	1	<ul style="list-style-type: none"> NUT, Hex nylon lock - 3/8"-16, Gr. 5,
17	103472	1	<ul style="list-style-type: none"> WASHER, Flat - 3/8",
18	194731	30"	<ul style="list-style-type: none"> EE MOLDING, Control Box,
19	220498	1	<ul style="list-style-type: none"> PUSHBUTTON, SLGE
20	220559	1	<ul style="list-style-type: none"> INSTRUCTIONS, SGLE Install (Not shown)
L	(Ref.)	1	<ul style="list-style-type: none"> LABELS (For components, refer to Section 8.1 Label Kit)



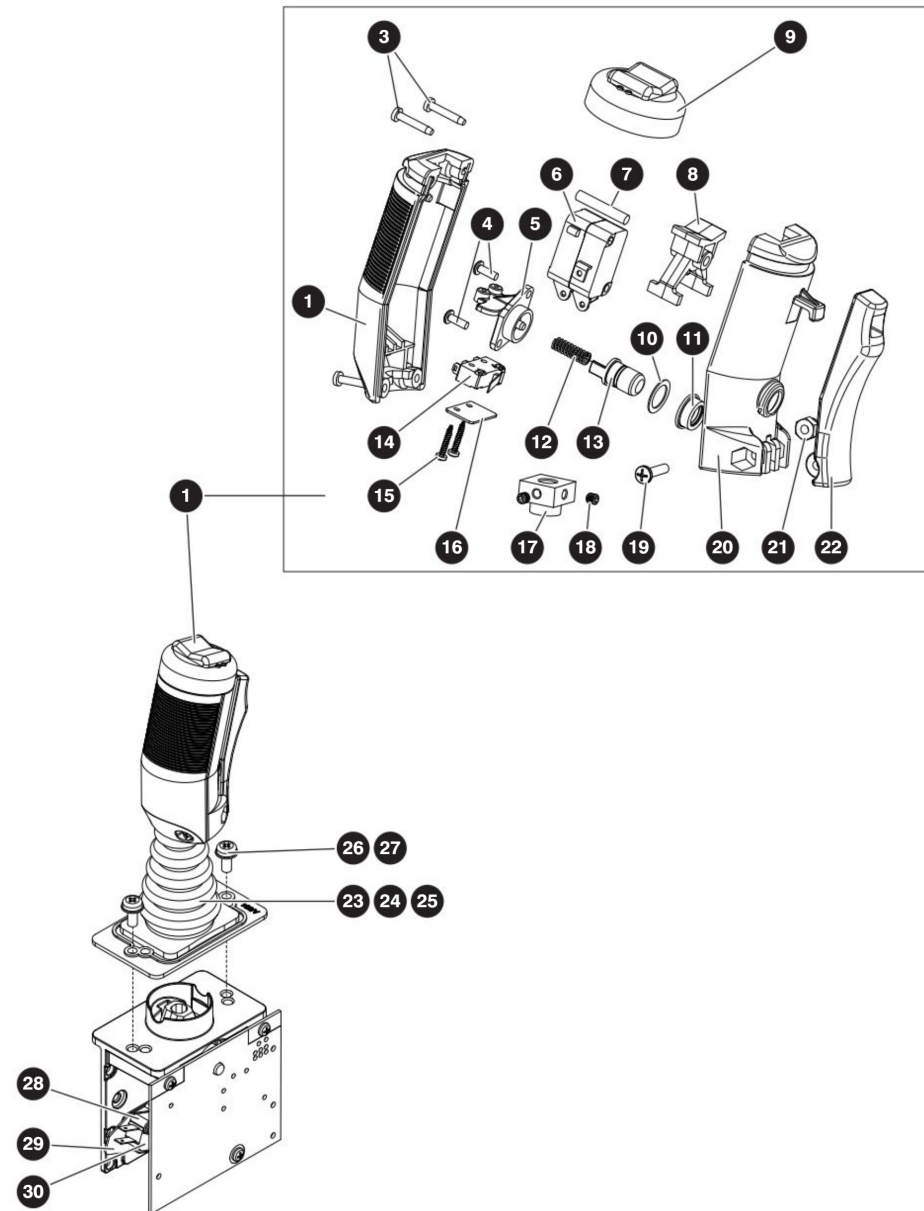
M163168AA

SJIII 3220 SJIII 3226 SJIII 4620 SJIII 4626 SJIII 4632

165974AL

10.2 Platform Control Box (Top)

Index No.	Skyjack Part No.	Qty.	Description
-	163168	-	CONTROL CONSOLE (TOP)
1	156923	1	• CONTROL CONSOLE (Top)
2	(Ref.)	-	• ENABLE CONTROLLER ASSEMBLY (For components, refer to Section 10.3 Enable Controller Assembly)
3	194729	-	• SWITCH ASSEMBLY, Emergency Stop
	147051	1	• • HEAD, Emergency stop switch
	147056	1	• • LATCH
	147053	2	• • BLOCK, N.C. contact
	147061	1	• • LED BLOCK, 24V (red)
4	144648	-	• SWITCH ASSEMBLY, Horn
	147058	1	• • HEAD, Pushbutton
	147056	1	• • LATCH
	147054	1	• • BLOCK, N.O. contact
5	116382	1	• SWITCH, Toggle (4NT1-1)
6	115574	1	• SWITCH, Toggle (1NT1-2)
7	111181	2	• GUARD, Toggle switch
8	144016	2	• SEAL, Panel bushing
9	122093	1	• INDICATOR, Battery charge

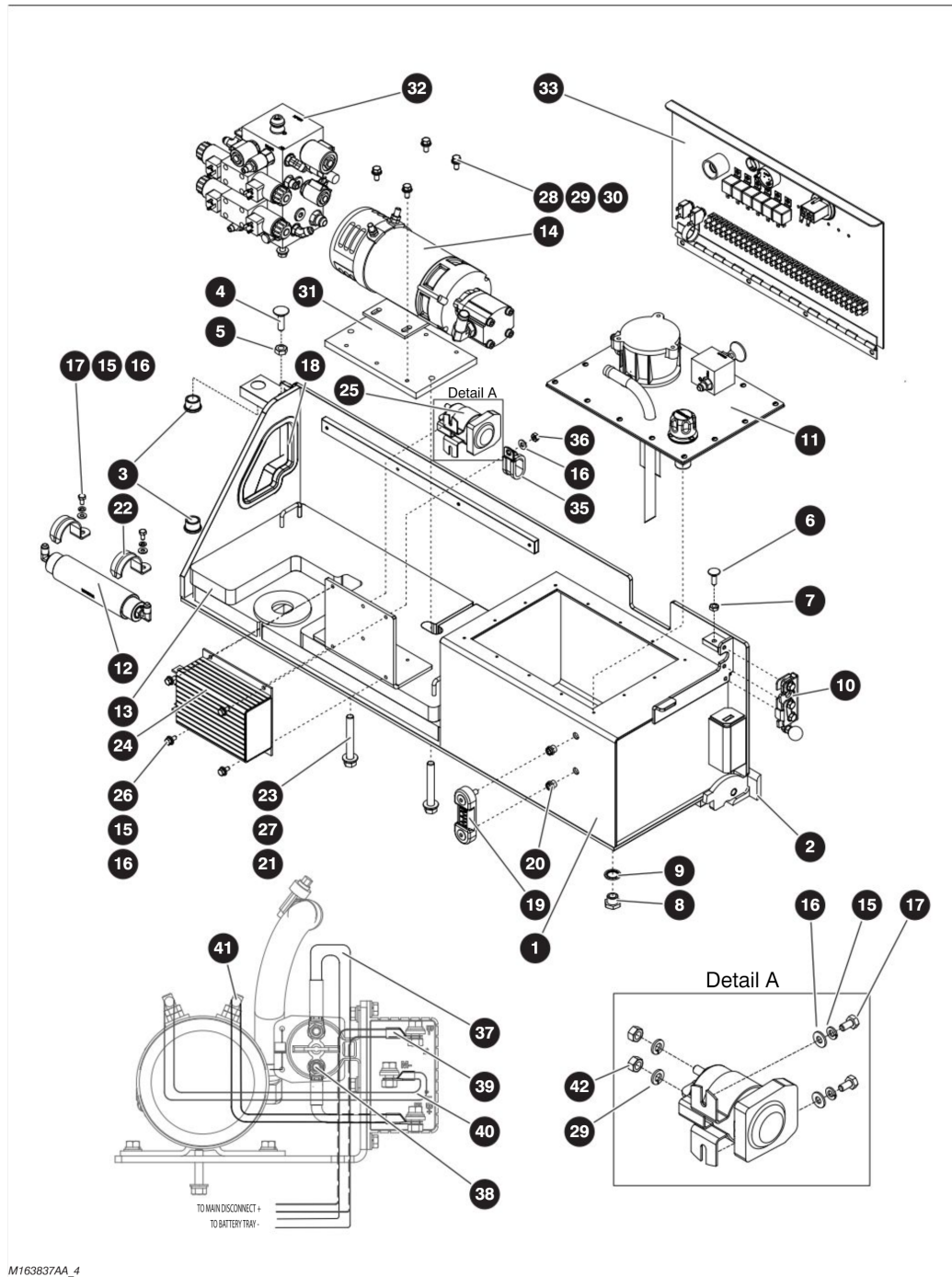


M151201AD

SJIII 3220 SJIII 3226 SJIII 4620 SJIII 4626 SJIII 4632

165974AL

Index No.	Skyjack Part No.	Qty.	Description
-	159111	1	CONTROLLER ASSEMBLY
1	159055	1	• HANDLE ASSEMBLY
2	159057	1	• • HANDLE, Front half
3	122879	4	• • SCREW, Controller handle
4	159065	2	• • SCREW, Plastite (#4-20 x 5/16")
5	159060	1	• • HOLDER, Micro switch
6	159613	1	• • ROCKER MICRO ASSEMBLY
7	141341	1	• • AXLE, Rocker
8	154717	1	• • ROCKER
9	122874	1	• • BOOT, Rocker
10	159063	1	• • WASHER
11	159062	1	• • BOOT, Plunger switch
12	159064	1	• • SPRING
13	159061	1	• • SWITCH, Plunger
14	159067	1	• • SWITCH, Lever micro
15	159066	2	• • SCREW, Plastite (#2-28 x 1/2")
16	159068	1	• • INSULATOR, Micro
17	122961	1	• • COUPLING (8mm)
18	122960	2	• • SCREW, Set
19	154718	1	• • SCREW (#6-32 x 5/8")
20	159058	1	• • HANDLE, Back half
21	122964	1	• • NUT, Controller lever
22	159059	1	• • LEVER, Trigger
23	127179	1	• BOOT & GASKET
24	159615	1	• WASHER
25	159616	1	• E-CLIP
26	122846	1	• SCREW
27	122847	1	• WASHER
28	147313	1	• SCREW
29	159618	1	• MICROINSULATOR
30	122869	1	• SWITCH, Micro



M163837AA_4

SJIII 3220 SJIII 3226 SJIII 4620 SJIII 4626 SJIII 4632

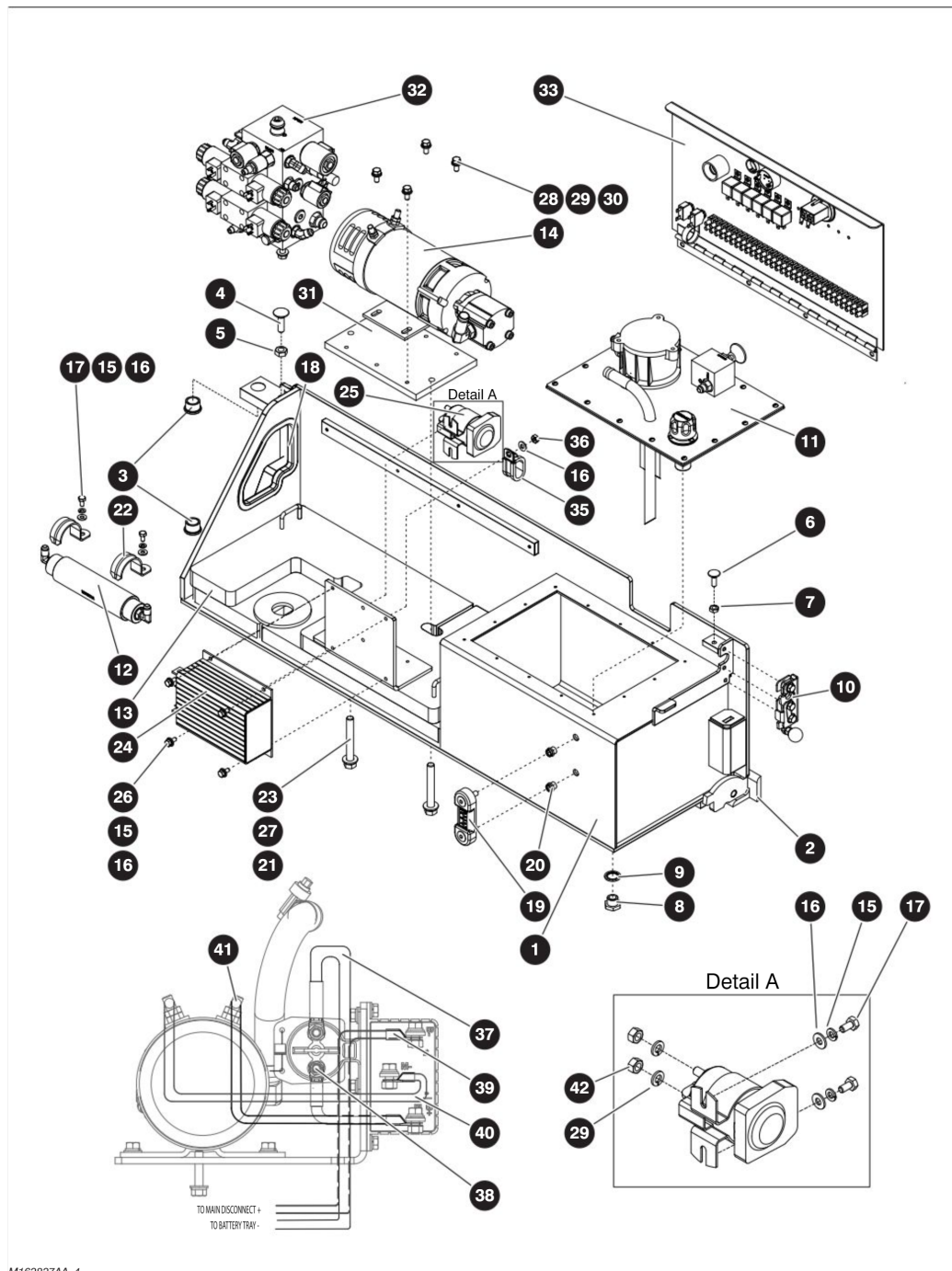
165974AL

10.4 Hydraulic/Electrical Tray Assembly - Welded Tank

Index No.	Skyjack Part No.	Qty.	Description
A	-	-	HYDRAULIC/ELECTRICAL TRAY ASSEMBLY - WELDED TANK
1	125443	1	WELDMENT, Hydraulic/Electric tray
2	(Ref.)	-	POTHOLE PROTECTION ASSEMBLY (For components, refer to Section 3.2 Pothole Protection Device)
3	100335	2	BUSHING, Bronze
4	125798	1	BOLT, Carriage (1/2"-13 x 1.5", Gr. 5)
5	107949	1	NUT, Hex jam (1/2"-13)
6	111804	1	BOLT, Carriage (3/8"-16 x 1", Gr. 5)
7	108575	1	NUT, Hex jam (3/8"-16, Grade B)
8	117701	1	THREAD STRAIGHT MAGNETIC PLUG ASSEMBLY
	149606	1	• PLUG
	120190	1	• SEAL
9	120190	1	SEAL, Magnetic drain plug
10	119609	1	ROTARY LATCH ASSEMBLY
	112307	1	• LATCH, Rotary
	111534	1	• KNOB, Latch
	103857	1	• BOLT, Hex head (1/4"-20 x 1", Gr. 5)
	104000	1	• WASHER, Lock (1/4")
	103864	3	• BOLT, Hex head (5/16"-18 x 1", Gr. 5)
	103980	1	• NUT, Hex head (1/4"-20, Gr. 5)
11	(Ref.)	-	HYDRAULIC TANK LID ASSEMBLY (For components, refer to Section 10.5 Hydraulic/Electrical Tray - Welded Tank)
12	125827	1	CYLINDER, Cushion
13	163840	1	WEIGHT, Hydraulic tray
	167227	1	WEIGHT, Hydraulic tray (PowerDeck)
14	(Ref.)	-	PUMP AND MOTOR ASSEMBLY (For components, refer to Section 4.3 Pump and Motor Assembly)
15	104000	8	WASHER, Lock (1/4")
16	103995	13	WASHER, Flat (1/4")
17	103855	4	BOLT, Hex head (1/4"-20 x 1/2")
18	119922	1	TRIM, Protective (1/4"-1/2")
19	103236	1	GAUGE, Oil level/temperature
20	124311	2	INSERT, Threaded (not needed with gauge assembly)
21	104379	2	WASHER, Flat (1/2") - Hard
22	102971	2	BRACKET, Cylinder mounting
23	133940	2	BOLT, Hex head (1/2"-13 x 3.75", Gr. 5)
24	151207	1	CONTROLLER, Pump motor (24VDC - 360A)
25	165865	1	SOLENOID SWITCH (CONTACTOR KIT)
	146475	1	• MOTOR CONTACTOR
	164671	1	• MOTOR CONTACTOR WIRE KIT
	104003	2	• NUT, Hex head (#10-32)
	104185	2	• WASHER, Lock (#10)

10.5 Hydraulic/Electrical Tray - Welded Tank

AG



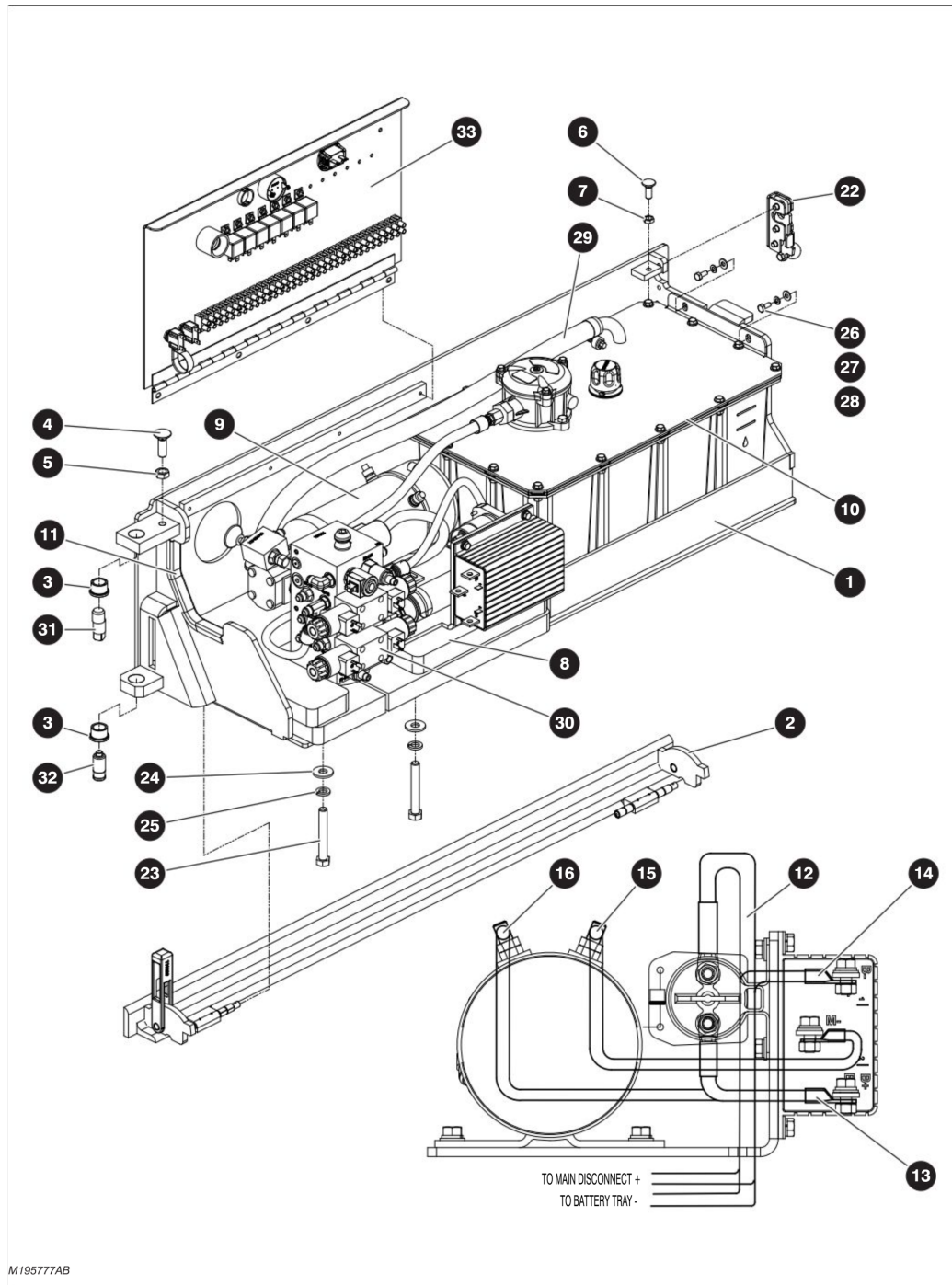
M163837AA_4

SJIII 3220 SJIII 3226 SJIII 4620 SJIII 4626 SJIII 4632

165974AL

10.5 Hydraulic/Electrical Tray - Welded Tank

Index No.	Skyjack Part No.	Qty.	Description
26	103856	3	BOLT, Hex head (1/4"-20 x 5/8", Gr. 5)
27	103470	2	WASHER, Lock (1/2")
28	103887	4	BOLT, Hex head (5/16"-18 x 3/4")
29	103404	6	WASHER, Flat (5/16")
30	103996	4	WASHER, Lock (5/16")
31	119020	1	PLATE, Motor mounting
32	(Ref.)	-	MAIN MANIFOLD ASSEMBLY (For components, refer to Section 10.10 Main Manifold Assembly - Welded Tank)
	103873	1	• BOLT, Hex head (3/8"-16 x 2.5", Gr. 5)
	103472	1	• WASHER, Flat (3/8")
	103999	1	• WASHER, Lock (3/8")
33	(Ref.)	-	ELECTRICAL PANEL ASSEMBLY (For components, refer to Section 10.14 Electrical Panel, Hardware and Wire Kit)
34	103857	1	BOLT, Hex head (1/4"-20 x 1", Gr. 5)
35	103078	1	CLIP, Double (G10)
36	103980	1	NUT, Hex head (1/4"-20, Gr. 5)
	164665	1	KIT, Power cable
37	(Ref.)	-	• CABLE ASSEMBLY (Main disconnect switch to main contactor) (For components, refer to Section 5.1 Battery Tray Assembly)
38	120425	1	• CABLE ASSEMBLY (Main contactor to motor controller)
39	(Ref.)	-	• CABLE ASSEMBLY (Battery negative to motor controller) (For components, refer to Section 5.1 Battery Tray Assembly)
40	164668	1	• CABLE ASSEMBLY (Pump motor to motor controller)
41	164669	1	• CABLE ASSEMBLY (Pump motor to motor controller)
42	156844	2	NUT, Hex (0.312"-24 Gr5)



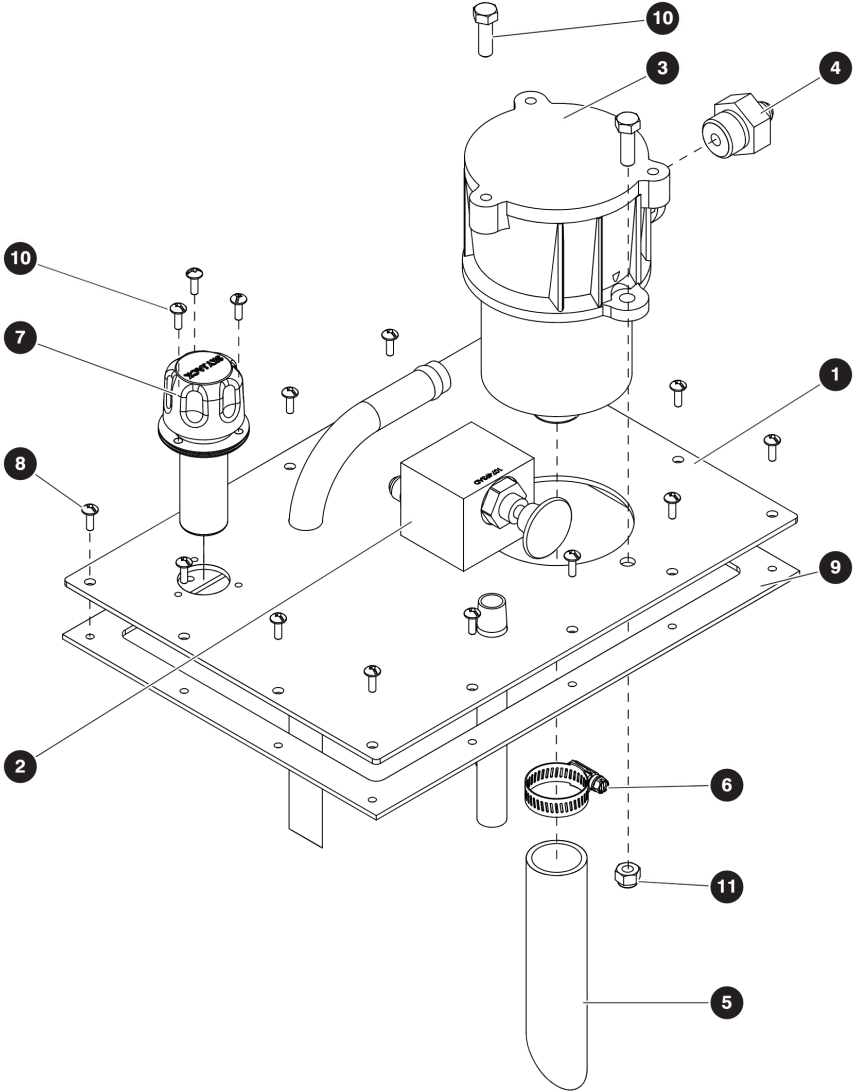
M195777AB

SJIII 3220 SJIII 3226 SJIII 4620 SJIII 4626 SJIII 4632

165974AL

10.6 Hydraulic/Electrical Tray Assembly - Plastic Tank

Index No.	Skyjack Part No.	Qty.	Description
B	-	-	HYDRAULIC/ELECTRICAL TRAY ASSEMBLY - PLASTIC TANK
-	210058	-	• HYDRAULIC TRAY/WEIGHT/TANK
-	195778	-	• • TRAY, HYD POTHOLE/HARDWARE ASSY
1	195779	1	• • • WELDMENT, Hydraulic Tray
2	(Ref.)	1	• • • POTHOLE PROTECTION ASSEMBLY (For components, refer to Section 3.2 Pothole Protection Device)
3	100335	2	• • • BUSHING, Bronze
4	125798	1	• • • BOLT, Carriage - 1/2"-13 x 1-1/2" Gr. 5
5	107949	1	• • • NUT, Hex Hd Jam - 1/2"-13 Gr. 5
6	111804	1	• • • BOLT, Carriage - 3/8"-16 x 1" Gr. 5
7	108575	1	• • • NUT, Hex Hd Jam - 3/8"-16 Gr. 5
8	195781	1	• • WELDMENT, Counterweight
9	(Ref.)	-	• • MOTOR/PUMP ASSEMBLY (For components, refer to Section 10.9 Motor/Pump Assembly - Plastic Tank)
10	(Ref.)	-	• • HYDRAULIC PLASTIC TANK ASSEMBLY (For components, refer to Section 10.8 Hydraulic Tank Lid Assembly - Plastic Tank)
11	119922	8	• • TRIM, Protective - 1/4"-1/2"
-	210013	1	• • CABLE KIT
12	119550	1	• • • WELDING CABLE, #4GA - 5/16" x 84" x 3/8" (+, +)
13	120425	1	• • • WELDING CABLE, #4GA - 5/16" x 6" x 5/16"
14	124324	1	• • • WELDING CABLE, #4GA - 5/16" x 130" x 3/8" (-, -)
15	164668	1	• • • WELDING CABLE, #4GA - 5/16" x 13" x 3/8" (-, -)
16	210014	1	• • • WELDING CABLE, #4GA - 5/16" x 18" x 3/8" (+, +)
17	103887	3	• • • BOLT, Hex Hd Zinc - 5/16"-18 x 3/4" Gr. 5
18	103404	5	• • • WASHER, Lock - 5/16" x 0.07"
19	103996	3	• • • WASHER, Flat Zinc - 5/16"
20	100397	3	• • • NUT, Hex Hd Zinc - 5/16"-18 Gr. 5
21	156844	2	• • • NUT, Hex Hd - 5/16"-24 Gr. 5
22	119609	1	• • LATCH ASSEMBLY, Rotary
	112307	1	• • • LATCH, Rotary
	111534	1	• • • KNOB, Latch
	103857	1	• • • BOLT, Hex head - 1/4"-20 x 1", Gr. 5
	104000	1	• • • WASHER, Lock - 1/4"
	103864	3	• • • BOLT, Hex head - 5/16"-18 x 1", Gr. 5
	103980	1	• • • NUT, Hex head - 1/4"-20, Gr. 5
23	125525	2	• • BOLT, Hex Hd - 1/2"-13 x 3-1/2" Gr. 5
24	104379	2	• • WASHER, Flat - 1/2" (Hard)
25	103470	2	• • WASHER, Lock - 1/2" Gr. 5
26	103995	2	• • WASHER, Flat - 1/4"
27	104000	2	• • WASHER, Lock - 1/4"
28	103892	2	• • BOLT, Hex Hd - 1/4"-20 x 5/8" Gr. 5
29	(Ref.)	-	• HOSE ASSEMBLY (For components, refer to Section 10.13 Hydraulic Hose Connections - Plastic Tank)
30	(Ref.)	-	• • MAIN MANIFOLD ASSEMBLY (For components, refer to Section 10.11 Main Manifold Assembly - Plastic Tank)
31	100446	1	• PIN, Eccentric
32	118983	1	• PIN, Lower Tray
33	(Ref.)	-	ELECTRICAL PANEL ASSEMBLY (For components, refer to Section 10.14 Electrical Panel, Hardware and Wire Kit)



M125827AA

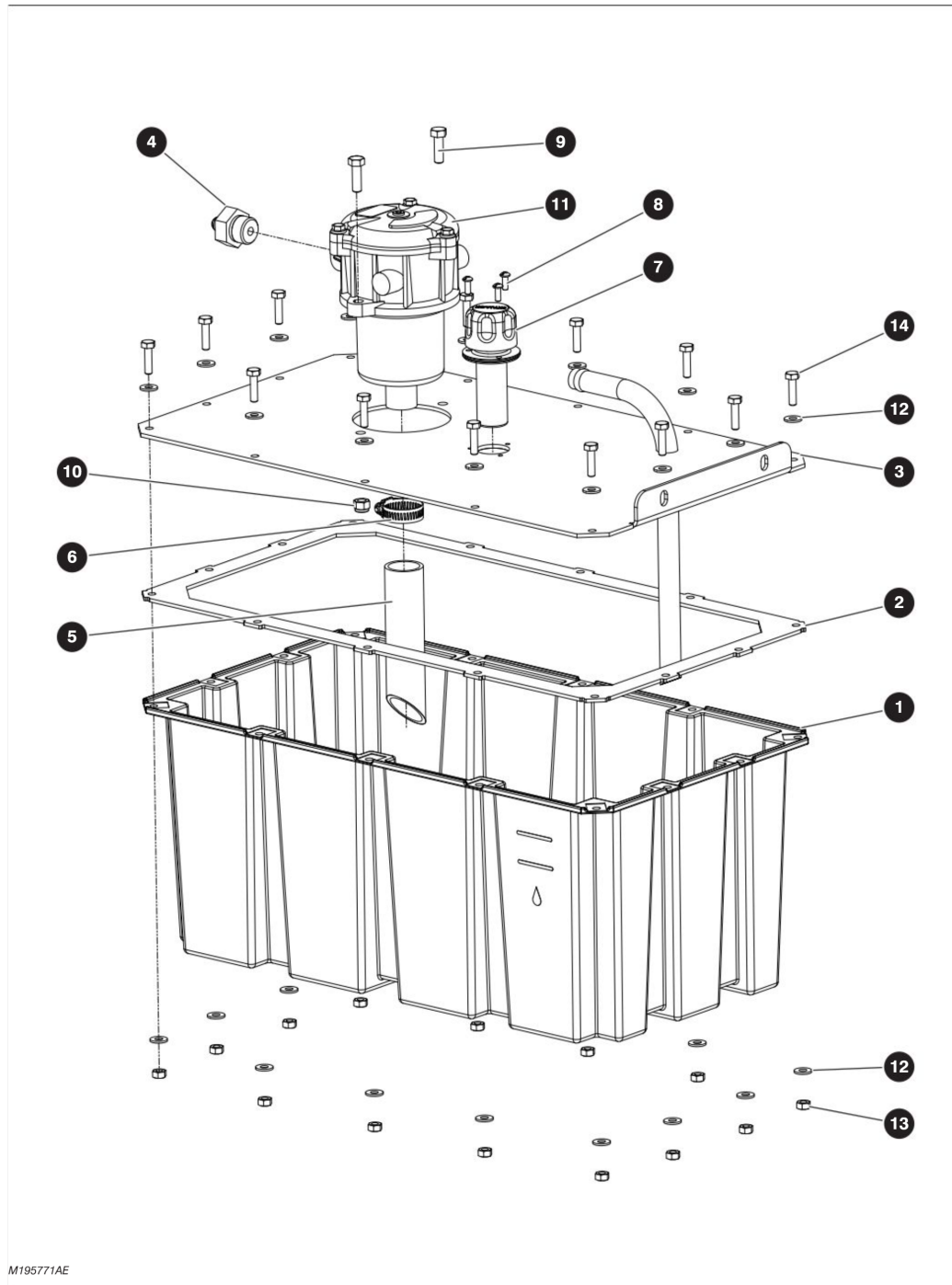
SJIII 3220 SJIII 3226 SJIII 4620 SJIII 4626 SJIII 4632

10.7 Hydraulic Tank Lid Assembly - Welded Tank

Index No.	Skyjack Part No.	Qty.	Description
-	129602	1	HYDRAULIC TANK LID ASSEMBLY - WELDED TANK
1	109267	1	WELDMENT, Tank lid
2	162220	1	LOWERING MANIFOLD ASSEMBLY WITH FITTING
	107493	1	• MANIFOLD, Lowering valve
	107271	1	• VALVE
	103069	1	• FITTING, Straight (06 JICM - 06 ORBM)
3	109568	1	FILTER, Hydraulic Housing
	104254	1	• ELEMENT, Filter
	123022	1	• SEAL, Filter assembly
	123021	1	• COVER, Filter assembly
	123020	1	• SPRING, Filter assembly
	122973	1	• CASTING, Aluminum
	121571	1	• SCREW, Set
	122969	1	• BOLT, Washer combined
	122968	1	• CASING, Filter
4	109052	1	FITTING, Connector (#12 ORB - #6)
5	102918	6"	HOSE, Tank
6	103320	1	CLAMP, Gear (#16)
7	102693	1	FILLER/CAP ASSEMBLY
8	103962	13	SCREW, Round head machine (#10-32 x 1/2")
9	148298	1	GASKET, Hydraulic tank
10	103864	2	BOLT, Hex head (5/16"-18 x 1", Gr. 5)
11	103984	2	NUT, Hex nylon lock (5/16"-18, Gr. 5)

10.8 Hydraulic Tank Lid Assembly - Plastic Tank

AH



M195771AE

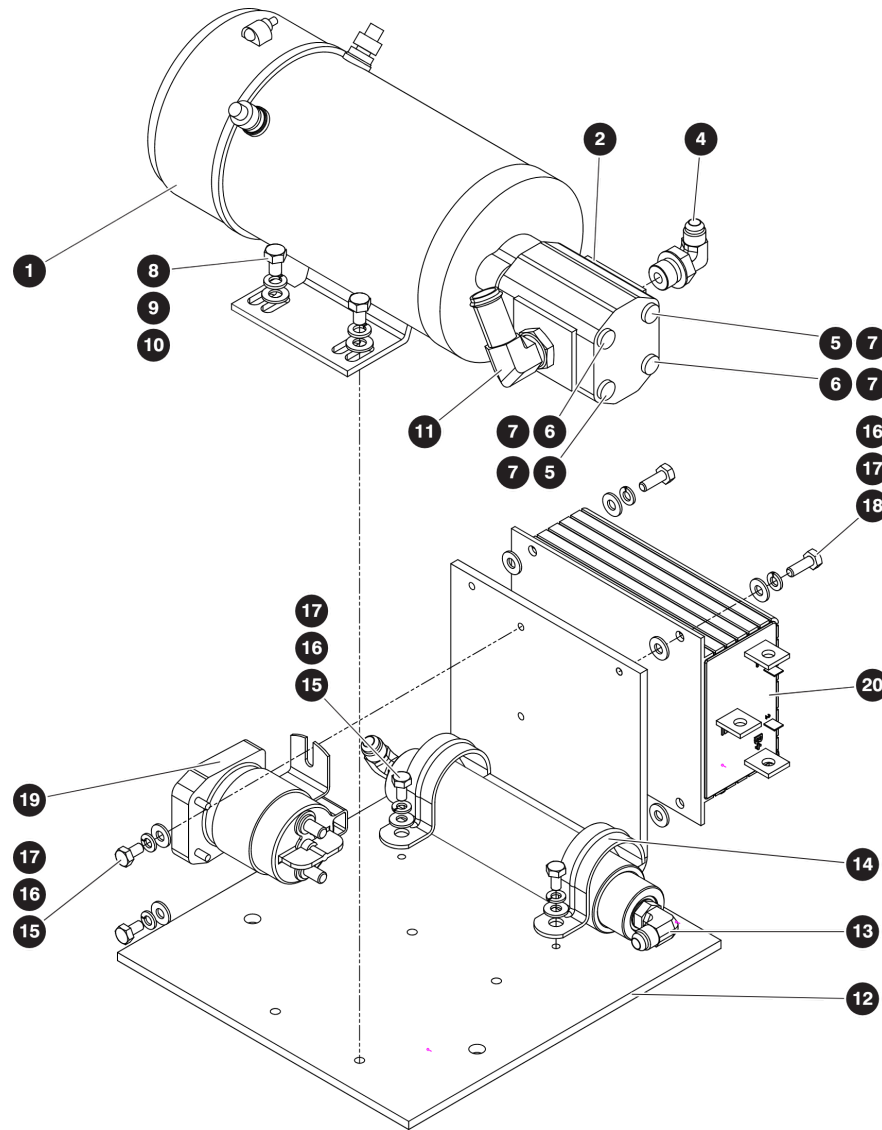
SJIII 3220 SJIII 3226 SJIII 4620 SJIII 4626 SJIII 4632

165974AL

SKYJACK

10.8 Hydraulic Tank Lid Assembly - Plastic Tank

Index No.	Skyjack Part No.	Qty.	Description
-	195771	1	HYDRAULIC TANK ASSEMBLY - PLASTIC TANK
1	195770	1	• TANK, Hydraulic - Plastic
2	195776	1	• GASKET, Hydraulic Tank
3	195774	1	• WELDMENT, Tank Cover
4	109052	1	• FITTING, Connector (#12 ORB - #6)
5	102918	6"	• HOSE, Filter to Tank - #PV2218-1
6	103320	1	• CLAMP, Gear - #16
7	102693	1	• FILLER/CAP ASSEMBLY
8	103962	3	• SCREW, Round Hd Machine - #10-32 x 1/2"
9	103864	2	• BOLT, Hex Hd 5/16"-18 x 1" Gr. 5
10	103984	2	• NUT, Nylon Lock - 5/16"-18 Gr. 5
11	109568	1	• FILTER ASSEMBLY, Hydraulic Oil
	104254	1	• • ELEMENT, Filter
	123022	1	• • SEAL, Filter assembly
	123021	1	• • COVER, Filter assembly
	123020	1	• • SPRING, Filter assembly
	122973	1	• • CASTING, Aluminum
	121571	1	• • SCREW, Set
	122969	1	• • BOLT, Washer combined
	122968	1	• • CASING, Filter
12	103995	28	• WASHER, Flat - 1/4"
13	103980	14	• NUT, Hex Hd - 1/4"-20 Gr. 8
14	103857	14	• BOLT, Hex Hd - 1/4"-20 x 1" Gr. 5



M210057AB

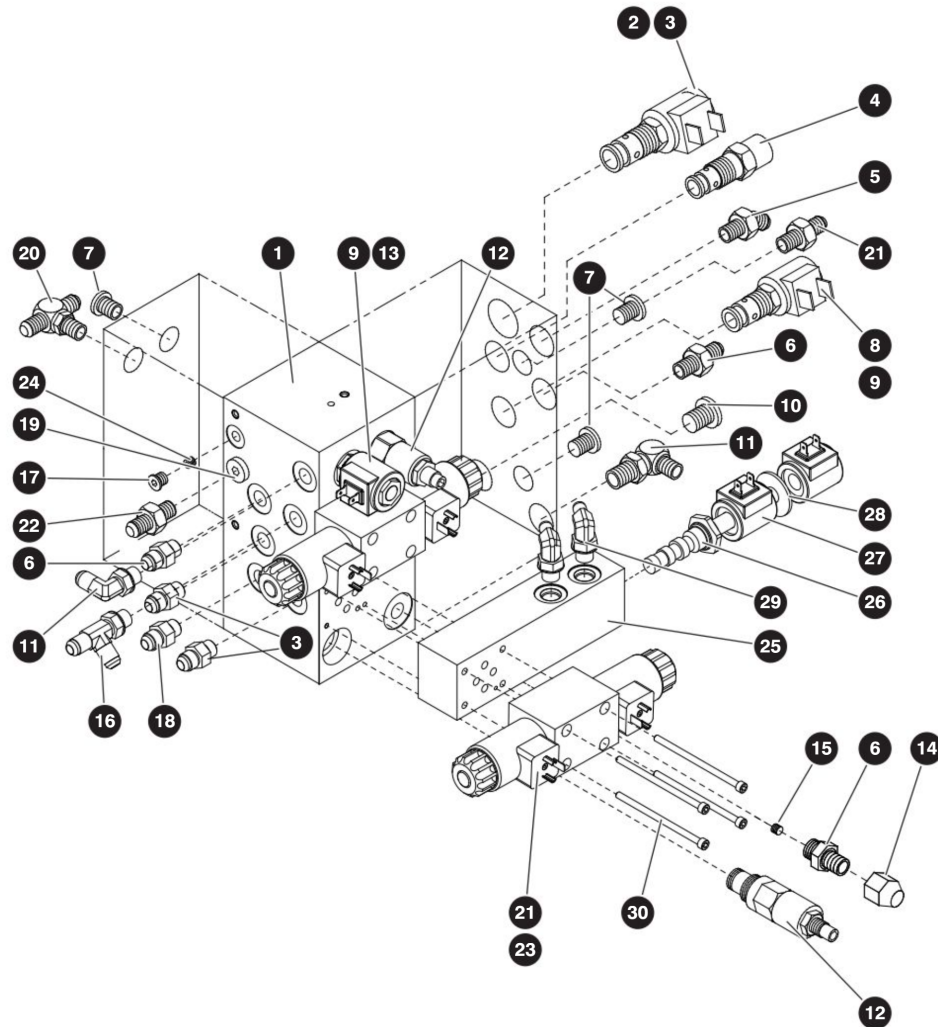
SJIII 3220 SJIII 3226 SJIII 4620 SJIII 4626 SJIII 4632

SKYJACK

165974AL

10.9 Motor/Pump Assembly - Plastic Tank

Index No.	Skyjack Part No.	Qty.	Description
A	210057	1	MOTOR/PUMP ASSEMBLY - PLASTIC TANK
B	210061	1	MOTOR/PUMP ASSEMBLY - PLASTIC TANK (POWERDECK)
-	161936	1	• PUMP/MOTOR UNIT - 3.59 CC
1	169260	1	• • MOTOR - 24 VDC
2	169261	1	• • PUMP, Hydraulic
3	169535	1	• • KIT, Seal repair (Not Shown)
4	144058	1	• • FITTING, 90° (12 BEAD - 10 ORBM)
5	169557	2	• • BOLT, Socket Hd - M8 x 1.25 x 75 CL 8.8 ZN
6	169558	2	• • BOLT, Socket Hd - M8 x 1.25 x 95 CL 12.9 ZN
7	933832	4	• • WASHER, Flat - M8 X 16 O.D
-	169623	1	• • Brush Kit (Not Shown)
8	103845	4	• BOLT, Hex Hd - 5/16"-18 x 1/2" Gr. 5
9	103996	4	• WASHER, Flat - 5/16"
10	103404	4	• WASHER, Lock - 5/16"
11	102665	1	• FITTING, 90° (06 JICM - 08 ORBM)
12	196581	1	• PLATE, Motor Mount, A
	210032	1	• PLATE, Motor Mount, B
13	125827	1	• CYLINDER ASM, Cushion
14	102971	2	• BRACKET, Conduit
15	103855	4	• BOLT, Hex Hd - 1/4"-20 x 1/2" Gr. 5
16	103995	12	• WASHER, Flat - 1/4"
17	104000	8	• WASHER, Lock - 1/4"
18	103856	4	• BOLT, Hex Hd - 1/4"-20 x 3/4" Gr. 5
19	165865	1	• CONTACTOR, Solenoid – Motor Controller/MC models
	146475	1	• CONTACTOR, Solenoid – hydraulic proportional controls
20	151207	1	• CONTROLLER, Pump/Motor - 24VDC, 360A



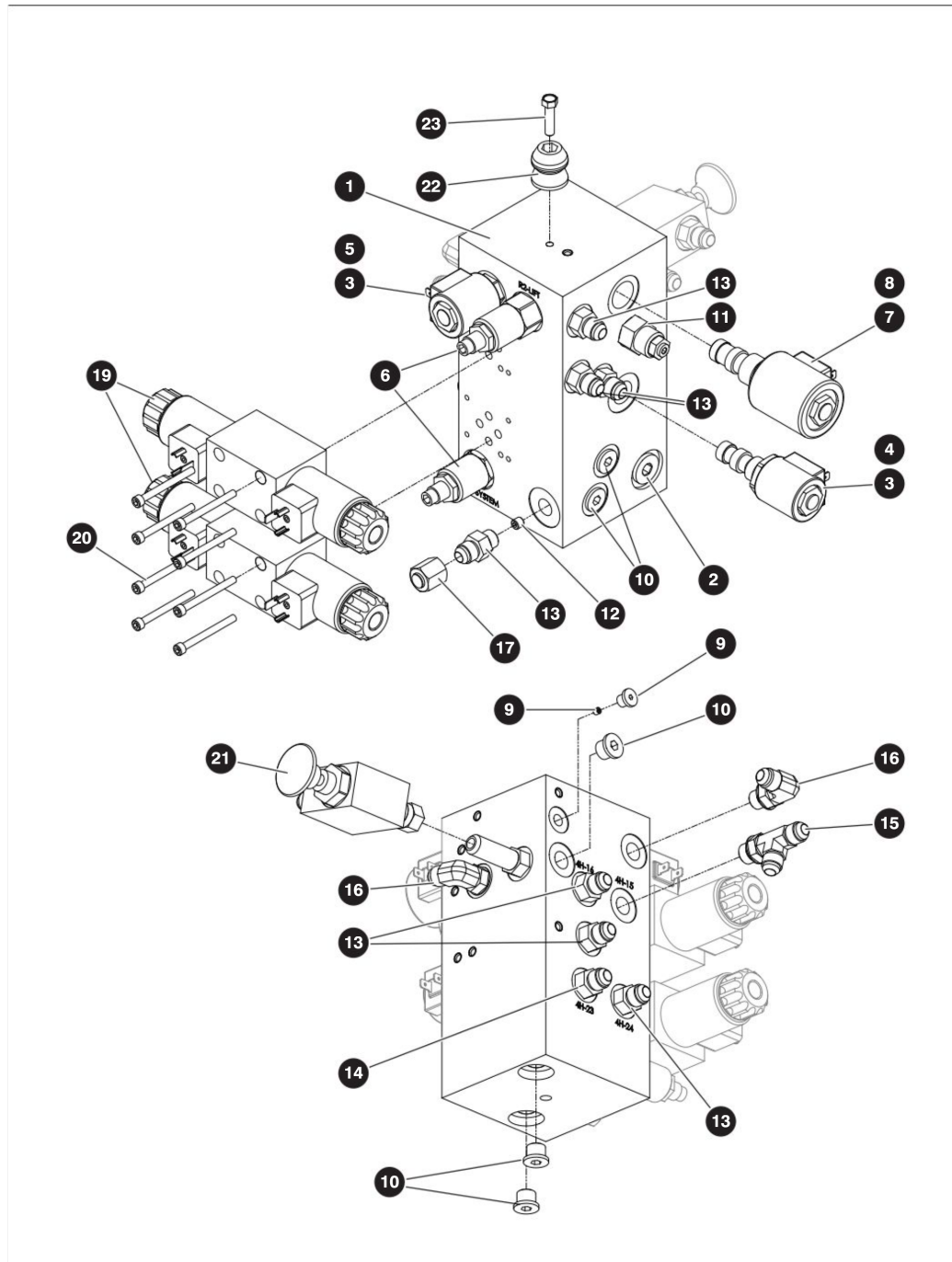
M170377AA

SJIII 3220 SJIII 3226 SJIII 4620 SJIII 4626 SJIII 4632

165974AL

10.10 Main Manifold Assembly - Welded Tank

Index No.	Skyjack Part No.	Qty.	Description
A	170376	1	MAIN MANIFOLD ASSEMBLY - WELDED TANK
-	170377	-	• MANIFOLD ASSEMBLY (without directional valves)
1	107354	1	• • BLOCK, Manifold
	108052	9	• • • PLUG, Expander
2	106273	1	• • VALVE, 3-Way (Lift)
3	105610	1	• • COIL, 24 Volt
4	147889	1	• • VALVE, Counterbalance
5	114580	1	• • FITTING, Elbow 45° (06 JICM - 06 ORBM)
6	103069	6	• • FITTING, Straight (06 JICM - 06 ORBM)
7	104437	6	• • FITTING, Plug (06 ORBM)
8	103623	1	• • VALVE, 3-Way (Brake)
9	103605	2	• • COIL (24 volt)
10	115320	1	• • FITTING, Plug (#8)
11	114578	2	• • FITTING, Elbow 90° (06 JICM - 04 ORBM)
12	104534	2	• • VALVE, Relief
13	103655	1	• • VALVE (N.C.)
14	107666	1	• • NUT, Cap (06 JICF)
15	104419	1	• • PLUG (1/16 NPT)
16	114581	1	• • FITTING, Tee (06 JICM - 06 ORBMS - 06 JICM)
17	102856	1	• • PLUG (#3) (Models SJIII 322x)
18	164541	1	• • FITTING, Assembly w/Orifice
19	104437	1	• • FITTING, Plug (06 ORBM) (Models SJIII 322x/4626/4632)
	122213	1	• • FITTING, Pressure plug (1/16" NPT) (Model SJIII 4620)
20	114579	1	• • FITTING, Tee (06 JICM - 06 JICM - 06 ORBM)
21	153334	2	• VALVE, Directional D03 spool (Drive & Steer)
	153335	2	• • COIL (24 volt)
	103920	8	• BOLT, Socket head (#10-24 x 2", Gr. 5)
22	701956	2	FITTING, Straight (04 JICM - 06 ORBM) (Powered extension platform)
23	119825	4	CONNECTOR (with diode)
24	105530	1	ORIFICE (1/16" NPT x 0.081" I.D.) (Model SJIII 4632)
-	160455	1	POWERDECK SANDWICH MANIFOLD ASSEMBLY (Models SJIII 3220/4620/4626)
25	160454	1	• MANIFOLD, Powerdeck sandwich
26	113953	1	• VALVE
27	103605	2	• COIL (24 volt)
28	148271	1	• SPACER, Coil
29	129127	2	• FITTING, Elbow 90° (04 JICM - 06 ORBM)
30	103923	4	• BOLT, Socket head (#10-24 x 3.5", Gr. 5)



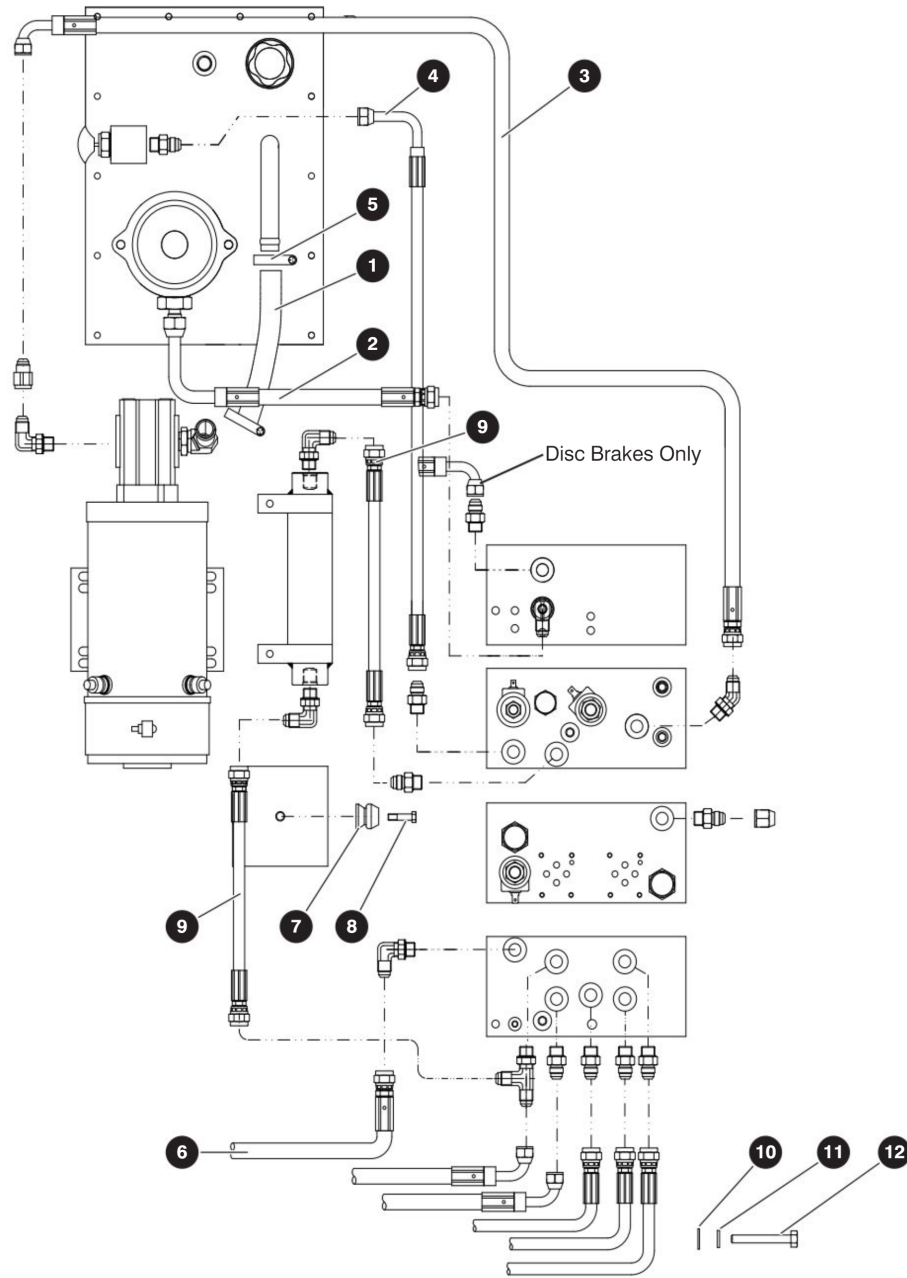
M210018AB

SJIII 3220 SJIII 3226 SJIII 4620 SJIII 4626 SJIII 4632

165974AL

10.11 Main Manifold Assembly - Plastic Tank

Index No.	Skyjack Part No.	Qty.	Description
B	210018	1	MAIN MANIFOLD ASSEMBLY - PLASTIC TANK
-	210019	1	• MANIFOLD SUB ASSEMBLY
1	107354	1	• • BLOCK, Manifold
	108052	9	• • • PLUG, Expander
2	115320	1	• • FITTING, O-Ring Plug - #8
3	103605	2	• • COIL, 24 volt
4	103623	1	• • VALVE, 3-Way - Brake
5	103655	1	• • VALVE, N.C.
6	104534	2	• • VALVE, Relief
7	105610	1	• • COIL, 24 Volt
8	106273	1	• • VALVE, 3-Way - Lift
9	102856	1	• • FITTING, Plug (03 ORBM)
10	104437	5	• • FITTING, Plug (06 ORBM)
11	147889	1	• • VALVE, Counterbalance
12	104419	1	• • PLUG, 1/16 NPT
13	103069	7	• • FITTING, Straight (06 JICM - 06 ORBM)
14	164541	1	• • FITTING, Assembly w/Orifice
15	114581	1	• • FITTING, Tee (06 JICM - 06 ORBMS - 06 JICM)
16	114578	2	• • FITTING, Elbow 90° (06 JICM - 04 ORBM)
17	107666	1	• • NUT, Cap (06 JICF)
18	146997	1	• • FITTING, Straight (06 JICM - 06 ORBM LG)
19	153334	2	• VALVE, Directional D03 Spool - Drive & Steer
20	103920	8	• SCREW, SHC - #10-24 x 2"
21	126761	1	• LOWERING MANIFOLD ASSEMBLY
	129656	1	• • VALVE, Housing
	107271	1	• • VALVE, Manual directional
	103069	1	• • FITTING, Straight (06 JICM - 06 ORBM)
	106498	1	• • FITTING, Adapter (6 JIC - 6 SAE)
22	125892	1	• BUMPER, Rubber, Female
23	112449	1	• SCREW, Hex Hd Machine - 1/4"-20 x 1", Gr. 5
24	122213	1	ORIFICE, Pressure Plug - 0.073" (Model SJIII 4620/4632)



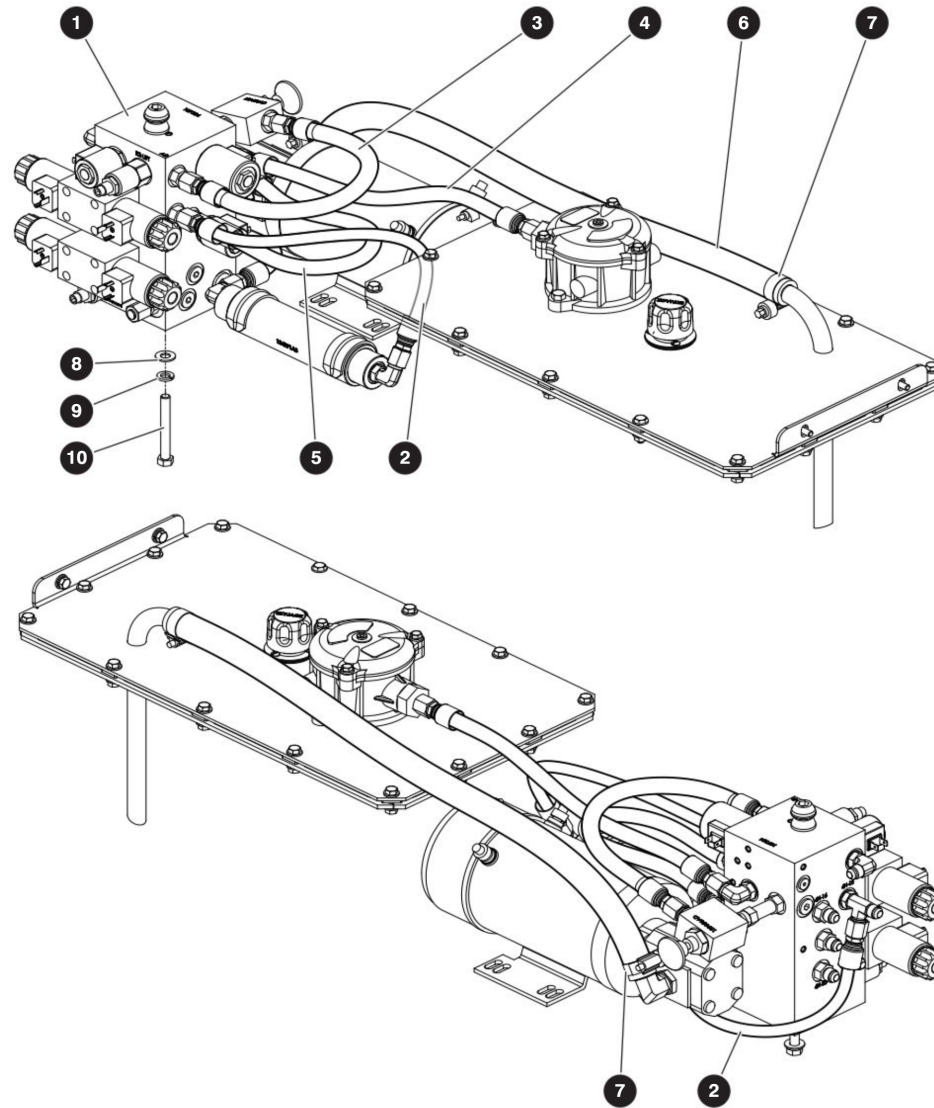
M170375AA

SJIII 3220 SJIII 3226 SJIII 4620 SJIII 4626 SJIII 4632

165974AL

10.12 Hydraulic Hose Connections - Welded Tank

Index No.	Skyjack Part No.	Qty.	Description
A	170375	1	HOSE ASSEMBLY - WELDED TANK
1	119851	1	• HOSE, Suction - 3/4" x 14"
2	136563	1	• HOSE ASSEMBLY, Filter to main manifold
3	H060600210	1	• HOSE ASSEMBLY, Pump to proportional control valve
4	112631	1	• HOSE ASSEMBLY, Manual lowering valve
5	114402	2	• CLAMP, Worm - #12
6	104657	1	• HOSE ASSEMBLY, Proportional control valve to return filter
7	125892	1	• BUMPER, Rubber Male
8	112449	1	• BOLT, Machine - 1/4"-20 x 1" Gr. 5
9	102647	2	• HOSE ASSEMBLY, Cushion cylinder
10	103472	1	• WASHER, Flat - 3/8"
11	103999	1	• WASHER, Lock - 3/8"
12	103873	1	• BOLT, Hex Hd - 3/8"-16 x 2-1/2" Gr. 5



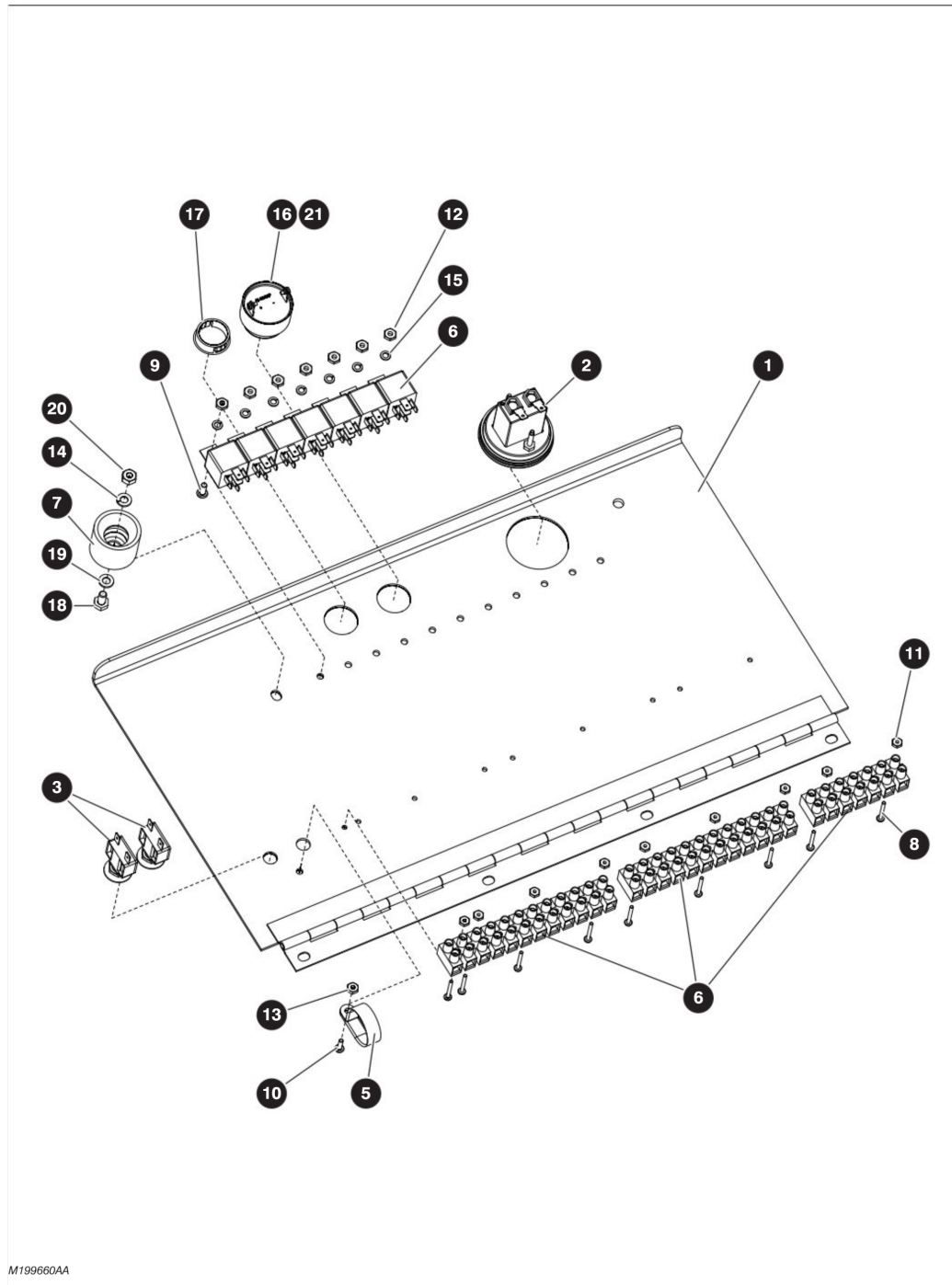
M195093AB

SJIII 3220 SJIII 3226 SJIII 4620 SJIII 4626 SJIII 4632

165974AL

10.13 Hydraulic Hose Connections - Plastic Tank

Index No.	Skyjack Part No.	Qty.	Description
B	195093	1	HOSE ASSEMBLY - PLASTIC TANK
1	(Ref.)	-	<ul style="list-style-type: none"> • MAIN MANIFOLD ASSEMBLY <p>(For components, refer to Section 10.11 Main Manifold Assembly - Plastic Tank)</p>
2	102647	2	<ul style="list-style-type: none"> • HOSE ASSEMBLY, Cushion cylinder
3	128169	1	<ul style="list-style-type: none"> • HOSE ASSEMBLY, Manual lowering valve
4	H510600170	1	<ul style="list-style-type: none"> • HOSE ASSEMBLY (Filter to main manifold)
5	H540600190	1	<ul style="list-style-type: none"> • HOSE ASSEMBLY (Pump to proportional control valve)
6	210055	1	<ul style="list-style-type: none"> • HOSE, Suction - 3/4" x 30"
7	114402	2	<ul style="list-style-type: none"> • CLAMP, Worm - #12
8	103472	1	<ul style="list-style-type: none"> • WASHER, Flat - 3/8"
9	103999	1	<ul style="list-style-type: none"> • WASHER, Lock - 3/8"
10	125958	1	<ul style="list-style-type: none"> • BOLT, Hex Hd - 3/8"-16 x 3" Gr. 5



M199660AA

SJIII 3220 SJIII 3226 SJIII 4620 SJIII 4626 SJIII 4632

165974AL

10.14 Electrical Panel, Hardware and Wire Kit

Index No.	Skyjack Part No.	Qty.	Description
A	170343	1	ELECTRICAL PANEL PREWIRE ASSEMBLY <i>(For model SJIII 3220 with serial number 60006146 & Below)</i> <i>(For model SJIII 3226 with serial number 27028841 & Below)</i> <i>(For model SJIII 46xx with serial number 70028673 & Below)</i>
B	195914	1	ELECTRICAL PANEL PREWIRE ASSEMBLY <i>(For model SJIII 3220 with serial number 60006147 & 60007077)</i> <i>(For model SJIII 3226 with serial number 27028842 & 27032454)</i> <i>(For model SJIII 46xx with serial number 70028674 & 70032133)</i>
C	199659	1	ELECTRICAL PANEL PREWIRE ASSEMBLY <i>(For model SJIII 3220 with serial number 60007078 & Above)</i> <i>(For model SJIII 3226 with serial number 27032455 & Above)</i> <i>(For model SJIII 46xx with serial number 70032134 & Above)</i>
-	170356	1	• ELECTRICAL PANEL ASSEMBLY, A, B
	199660	1	• ELECTRICAL PANEL ASSEMBLY, C
1	163057	1	• • WELDMENT, Control panel
2	195940	1	• • HOURMETER, Digital
3	117325	2	• • BREAKER, Circuit - 15 Amp
4	108589	6	• • RELAY, 24V - sealed, A, B
	108589	7	• • RELAY, 24V - sealed, C
5	132793	1	• • CLAMP, Plastic - 1-1/4" diameter
6	103011	3	• • BLOCK, Terminal
7	125893	1	• • BUMPER, Rubber female
8	103956	9	• • SCREW, Round head - #6-32 x 1"
9	103962	6	• • SCREW, Round head machine - #10-32 x 1/2", A, B
	103962	8	• • SCREW, Round head machine - #10-32 x 1/2", C
10	103957	5	• • SCREW, Round head machine - #8-32 x 1/2", A, B
11	103985	9	• • NUT, Hex - #6-32
12	104003	6	• • NUT, Hex head - #10-32, A, B
	104003	8	• • NUT, Hex head - #10-32, C
13	103986	1	• • NUT, Hex Head - #8-32, A, B
	104003	1	• • NUT, Hex Head - #10S-32, C
14	104000	1	• • WASHER, Lock - 1/4"
15	104185	10	• • WASHER, Lock - #10, A, B
	104185	7	• • WASHER, Lock - #10, C
16	103057	1	• • BEEPER, 4-28VCD
17	131938	1	• • PLUG, Snap in for 1 1/8" Hole
18	103855	1	• • BOLT, Hex head - 1/4"-20 x 1/2", Gr. 5, A, B
	103892	1	• • BOLT, Hex head - 1/4"-20 x 5/8", Gr. 5, C
19	103995	1	• • WASHER, Flat - 1/4", C
20	103980	1	• • NUT, Hex Hd - 1/4"-20 Gr. 8, C
21	106009	2	• • WASHER, Lock - #6, C
22	209559	1	• WIRE ASM, Capacitor (Not Shown)

10.15 RST Wire Assemblies



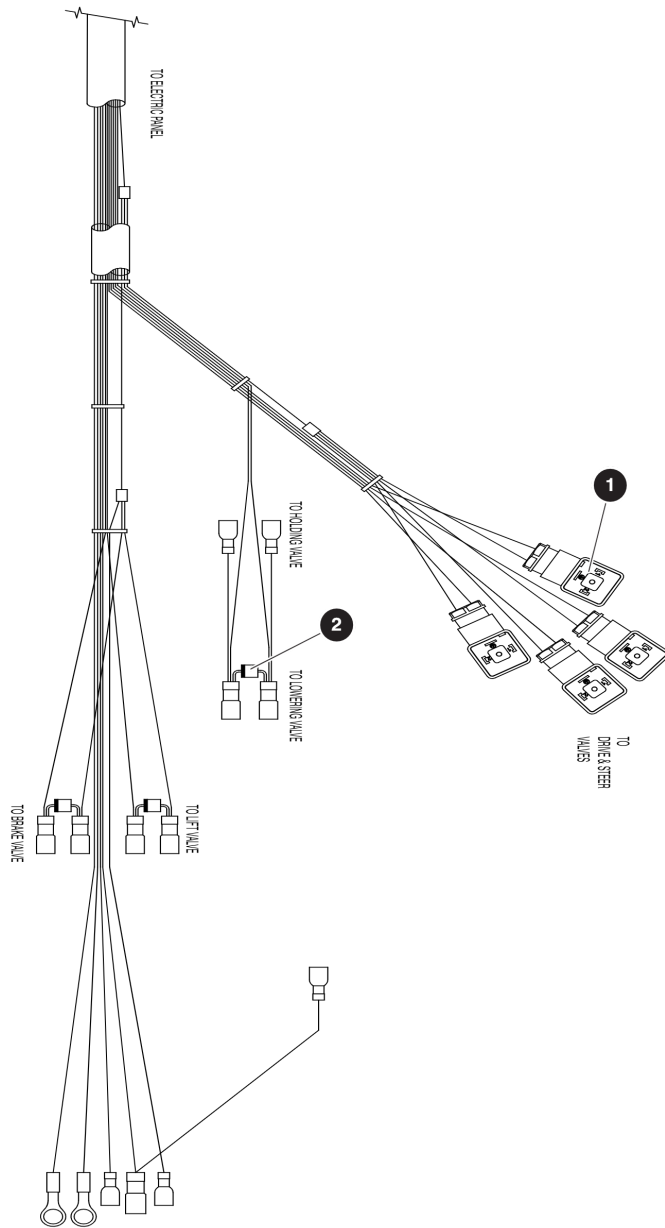
M170149AA

Index No.	Skyjack Part No.	Qty.	Description
A	-	-	RST WIRE ASSEMBLIES <i>(For model SJIII 3220 with serial number 60007077 & Below)</i> <i>(For model SJIII 3226 with serial number 27032454 & Below)</i> <i>(For model SJIII 46xx with serial number 70032133 & Below)</i>
B	-	-	RST WIRE ASSEMBLIES <i>(For model SJIII 3220 with serial number 60007078 & Above)</i> <i>(For model SJIII 3226 with serial number 27032455 & Above)</i> <i>(For model SJIII 46xx with serial number 70032134 & Above)</i>
1	166243	1	WIRE ASM, Motor Controller - RST2 (6.25" / 68 OHM), A, B
	199233	1	WIRE ASM, Motor Controller - RST2 (7.5" / 68 OHM), C
2	169102	1	WIRE ASM, Motor Controller - RST3 (6.75" / 360 OHM), A, B, C
3	166244	1	WIRE ASM, Motor Controller - RST4 (5.25" / 68 OHM), A, B
	199241	1	WIRE ASM, Motor Controller - RST4 (7.0" / 68 OHM), C
4	166245	1	WIRE ASM, Motor Controller - RST5 (5.25" / 4.75 KOHM), A, B
	199234	1	WIRE ASM, Motor Controller - RST5 (7.0" / 4.75 KOHM), C
5	198792	1	WIRE ASM, Motor Controller - RST6 (5.25" / 1.2 KOHM), A, B
	199235	1	WIRE ASM, Motor Controller - RST6 (7.0" / 1.2 KOHM), C

165974AL

SJIII 3220 SJIII 3226 SJIII 4620 SJIII 4626 SJIII 4632

10.16 Main Manifold Harness



M170360AA

SJIII 3220 SJIII 3226 SJIII 4620 SJIII 4626 SJIII 4632

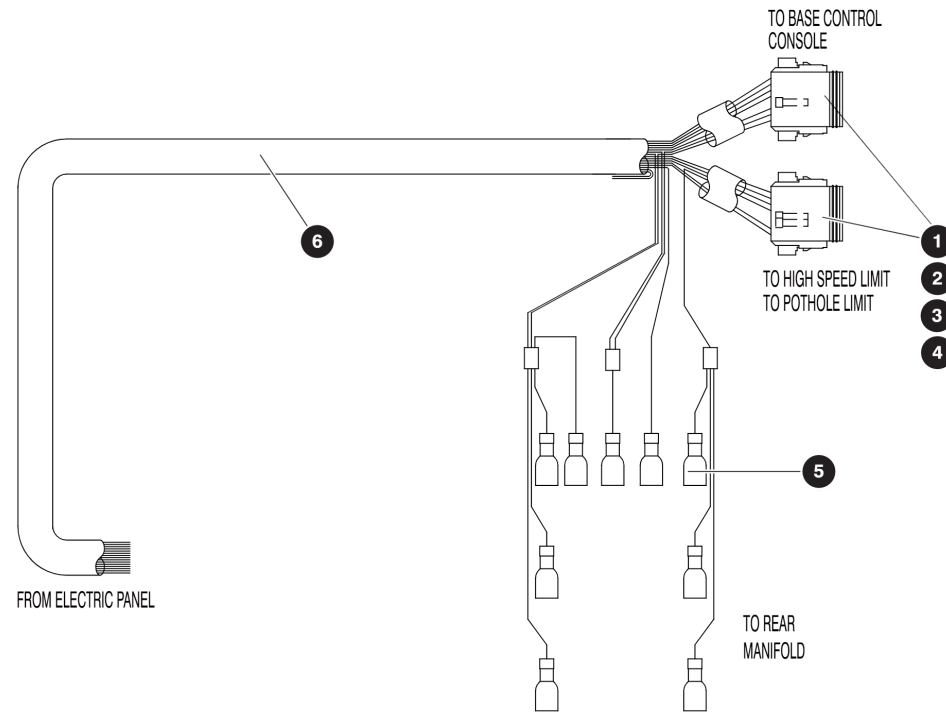
SKYJACK

165974AL

10.16 Main Manifold Harness

Index No.	Skyjack Part No.	Qty.	Description
-	170360	1	HARNES, Main manifold
1	119825	4	• CONNECTOR, Solenoid (with diode)
2	102921	3	• DIODE

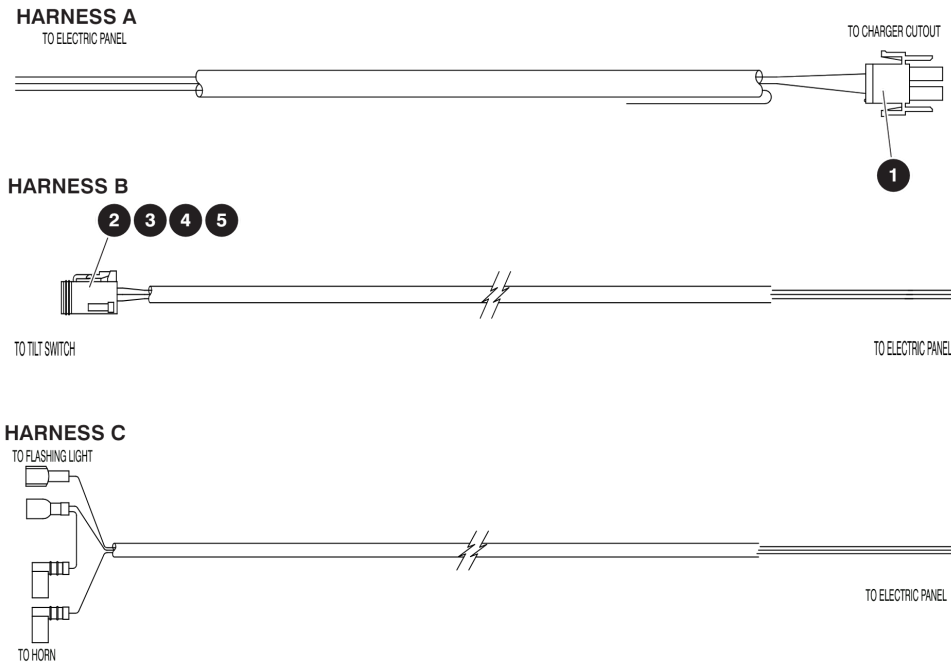
10.17 Rear Manifold Harness



M170342AB

Index No.	Skyjack Part No.	Qty.	Description
A	170342	1	HARNESS, Rear Manifold <i>(For model SJIII 3220 with serial number 60007077 & Below)</i> <i>(For model SJIII 3226 with serial number 27032454 & Below)</i> <i>(For model SJIII 46xx with serial number 70032133 & Below)</i>
B	199747	1	HARNESS, Rear Manifold <i>(For model SJIII 3220 with serial number 60007078 & Above)</i> <i>(For model SJIII 3226 with serial number 27032455 & Above)</i> <i>(For model SJIII 46xx with serial number 70032134 & Above)</i>
1	117583	2	• CONNECTOR, Plug (8 pin)
2	117585	2	• CONNECTOR, Plug Wedge (8 pin)
3	117593	13	• CONNECTOR, Contact socket (16-18)
4	117594	3	• CONNECTOR, Sealing plug
5	105359	9	• TERMINAL, Insulation Blue (M.14-16GA)
6	102887	83"	• CABTIRE (16/15), A
	102887	75"	• CABTIRE (16/15), B

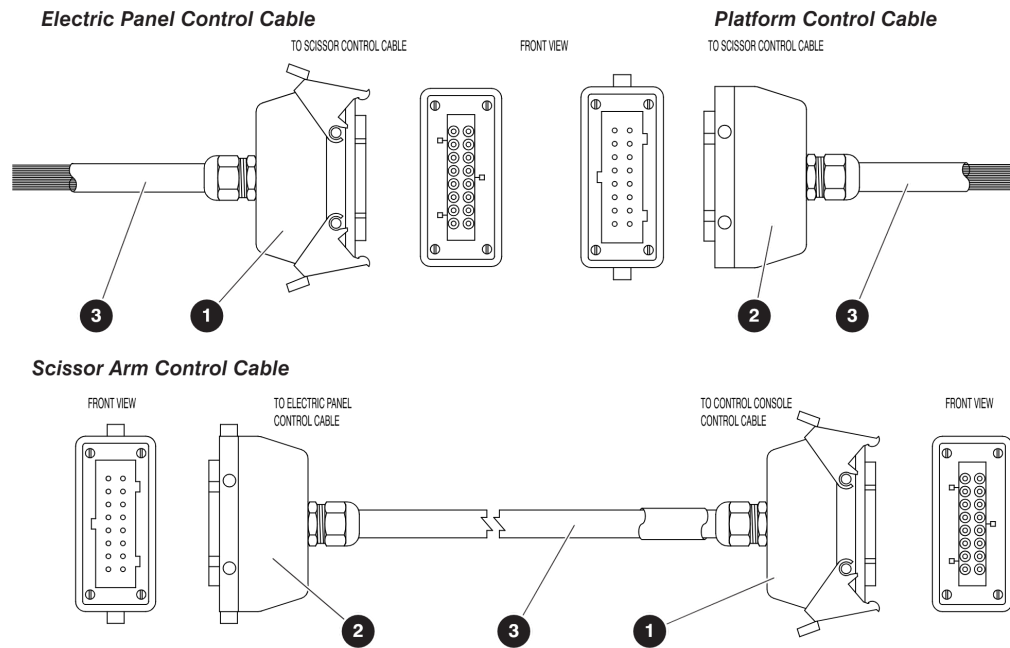
10.18 Charger, Horn/Flashing Lights, Tilt Switch Harnesses



M166021AA_M166022AA_M166023AA

Index No.	Skyjack Part No.	Qty.	Description
A	166021	1	HARNESS, Charger Cutout
B	166022	1	HARNESS, Tilt Switch
C	166023	1	HARNESS, Horn/Flashing Lights
1	116992	1	• CONNECTOR, Male plug (2 pin), A
2	117579	1	• CONNECTOR, Plug (4 pin), B
3	117581	1	• CONNECTOR, Plug Wedge (4 pin), B
4	117591	3	• CONNECTOR, Contact socket (16-18), B
5	117594	1	• CONNECTOR, Sealing plug, B

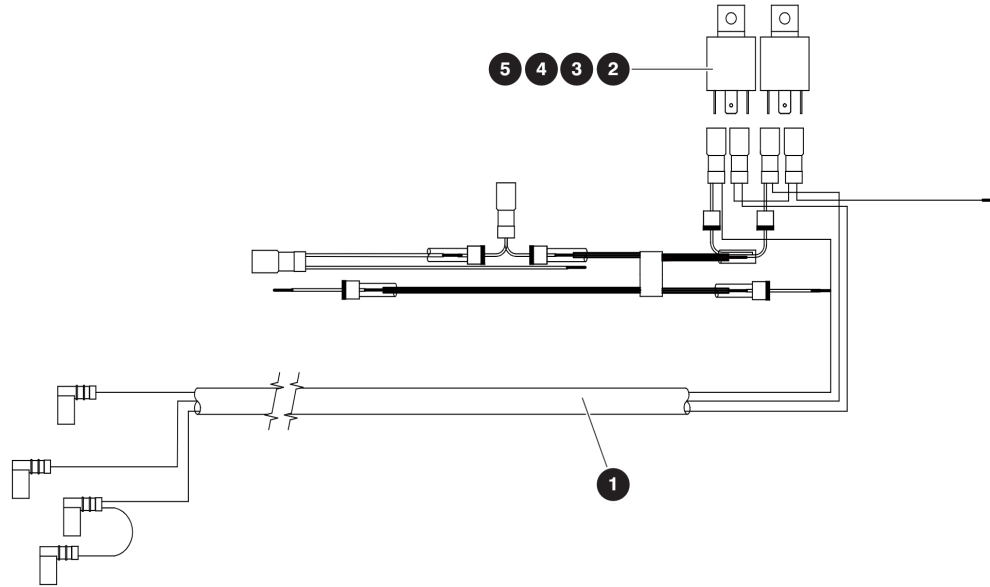
10.19 Control Cable Assemblies



M146601AA4

Index No.	Skyjack Part No.	Qty.	Description
A	163170	-	PLATFORM CONTROL CABLE ASSEMBLY (Motor Controller)
B	164690	-	SCISSOR ARM CONTROL CABLE ASSEMBLY (Models 3220)
C	164697	-	SCISSOR ARM CONTROL CABLE ASSEMBLY (Models 3226)
D	164702	-	SCISSOR ARM CONTROL CABLE ASSEMBLY (Model SJIII 4632)
E	163419	-	ELECTRIC PANEL CONTROL CABLE ASSEMBLY
1	163172	1	CONNECTOR, Male (16 pin - Double hinge)
	163396	1	• HOUSING, Female
	103574	1	• INSERT, Male
2	163171	1	CONNECTOR, Female (16 pin - Double hinge)
	163173	1	• HOUSING, Male
	103573	1	• INSERT, Male
3	102887	37"	CABTIRE (16/15), A
	102887	384"	CABTIRE (16/15), B
	102887	468"	CABTIRE (16/15), C
	102887	564"	CABTIRE (16/15), D
	102887	76.5"	CABTIRE (16/15), E

10.20 Powerdeck Conversion Kit - Motor Controller



M146588AA

Index No.	Skyjack Part No.	Qty.	Description
A	167442	1	HARNESS, PDeck Wiring Conversion Kit M/C <i>(For model SJIII 3220 with serial number 60007077 & Below)</i> <i>(For model SJIII 3226 with serial number 27032454 & Below)</i> <i>(For model SJIII 46xx with serial number 70032133 & Below)</i>
B	199984	1	HARNESS, PDeck Wiring Conversion Kit M/C <i>(For model SJIII 3220 with serial number 60007078 & Above)</i> <i>(For model SJIII 3226 with serial number 27032455 & Above)</i> <i>(For model 46xx with serial number 70032134 & Above)</i>
1	103257	60"	• CABTIRE (18/3), A
	103257	62"	• CABTIRE (18/3), B
2	108589	2	• RELAY, Sealed (24V)
3	103962	2	• SCREW, Round Hd Machine - #10-32 x 1/2", B
4	104185	2	• WASHER, Lock - #10, B
5	104003	2	• NUT, Hex - #10-32, B



SKYJACK

www.skyjack.com